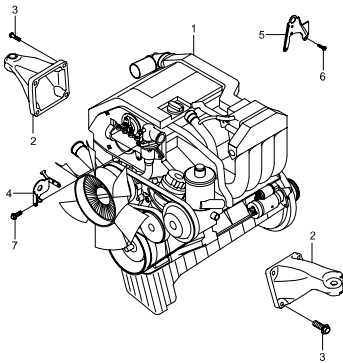
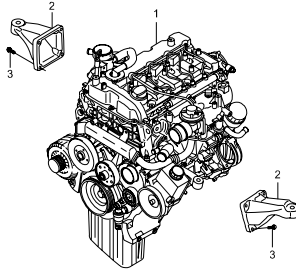


1. ENGINE

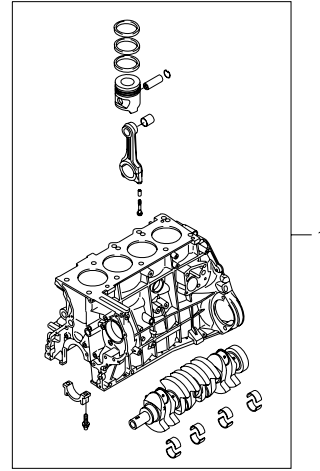
1112 ENGINE UNIT(E23)



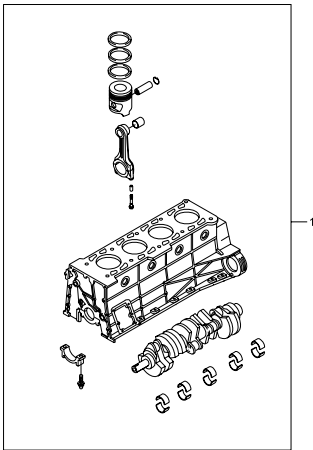
1114 ENGINE UNIT(D20DT)



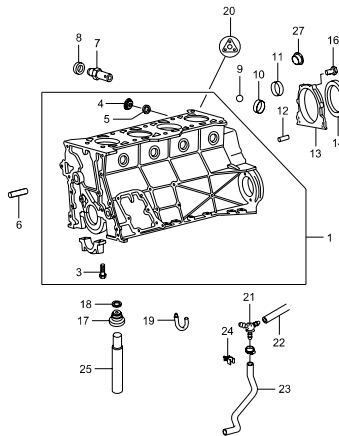
1120 SHORT BLOCK(DSL)



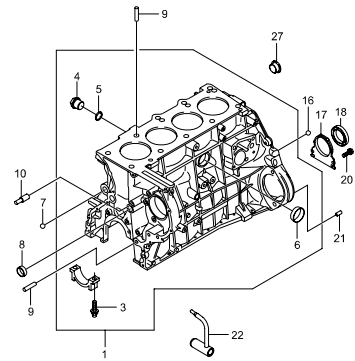
1121 SHORT BLOCK(GSL)



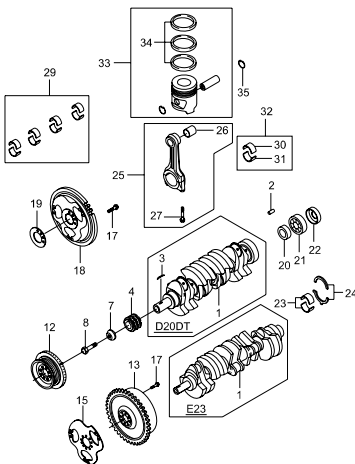
1123 CYLINDER BLOCK(E23)



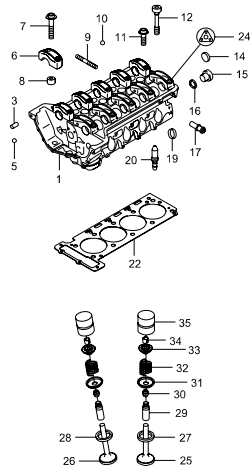
1125 CYLINDER BLOCK(D20DT)



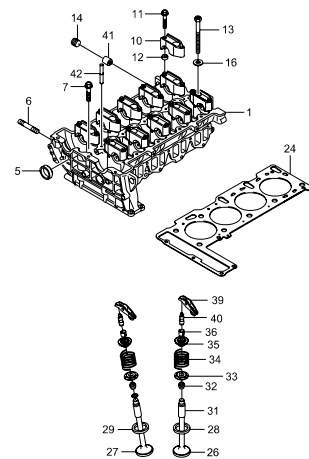
1130 CRANKSHAFT & FLYWHEEL



1211 CYLINDER HEAD & GASKET KIT(GSL)

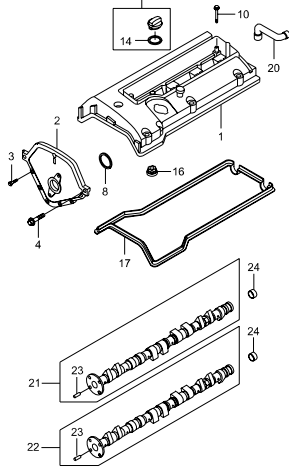


1212 CYLINDER HEAD & GASKET KIT(D20DT)

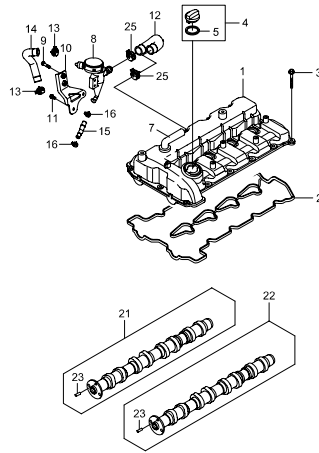


1. ENGINE

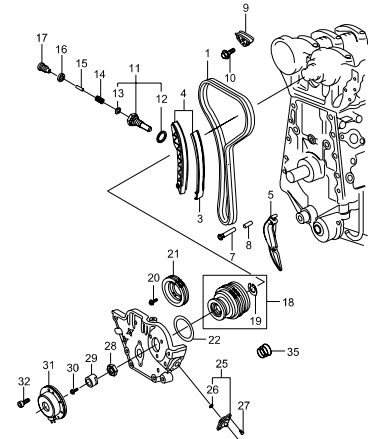
1221 CYLINDER HEAD COVER & CAMSHAFT(GSL)



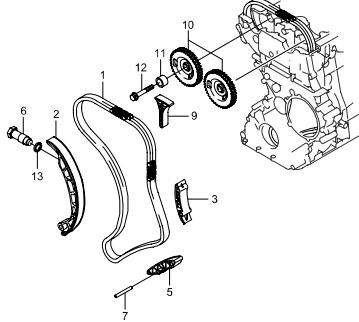
1222 CYLINDER HEAD COVER & CAMSHAFT(D20DT)



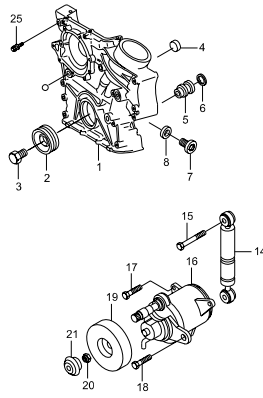
1311 CHAIN DRIVE(GSL)



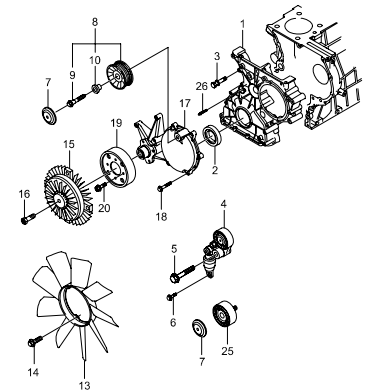
1312 CHAIN DRIVE(D20DT)



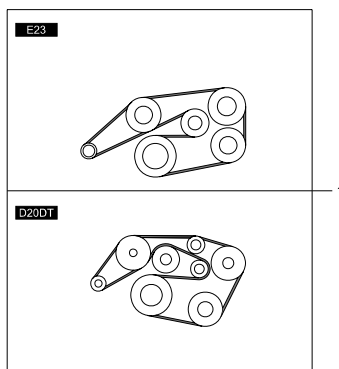
1331 TIMING CASE(E23)



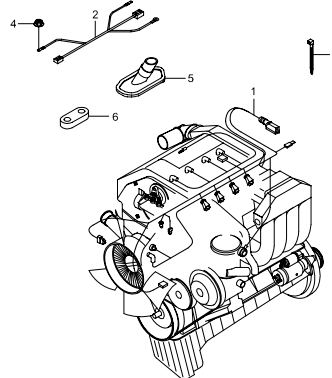
1333 TIMING CASE(D20DT)



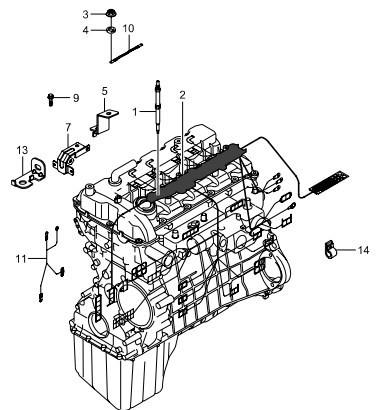
1350 BELT SYSTEM



1411 ENGINE WIRING(GSL)

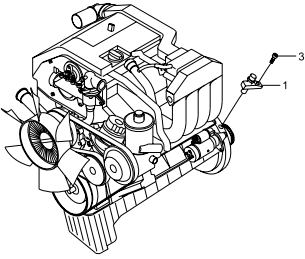


1412 ENGINE WIRING(D20DT)

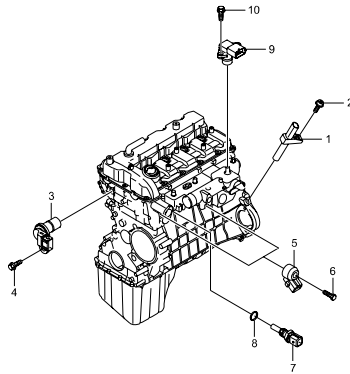


1. ENGINE

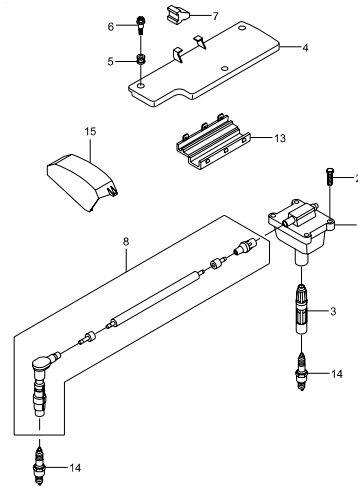
1430 SENSORS(GSL)



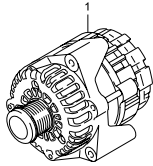
1431 SENSORS(D20DT)



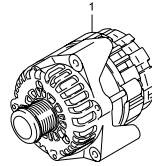
1440 IGNITION COIL(E23)



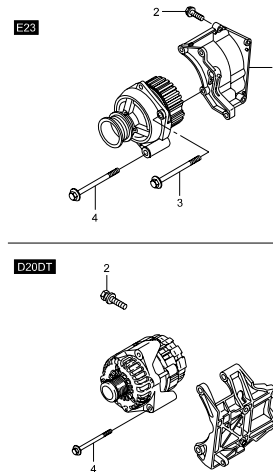
1451 ALTERNATOR(DSL)



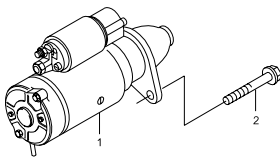
1452 ALTERNATOR(GSL)



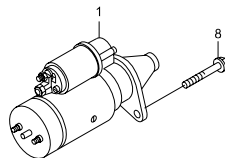
1453 ALTERNATOR MOUNTING



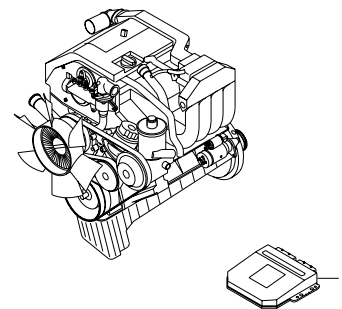
1461 STARTING MOTOR(DSL)



1462 STARTING MOTOR(GSL)

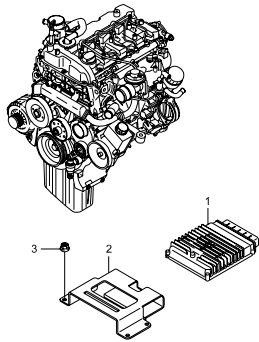


1490 EMISSION MODULE(GSL)

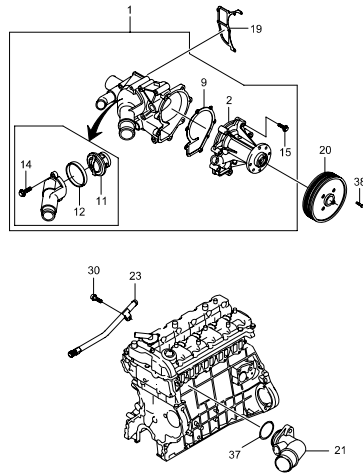


1. ENGINE

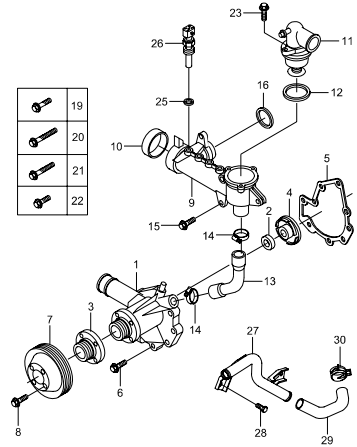
1491 EMISSION MODULE(D20DT)



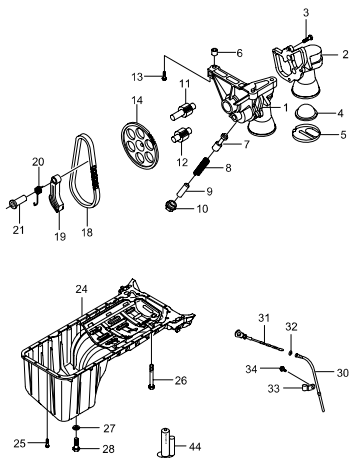
1520 COOLING SYSTEM(DSL)



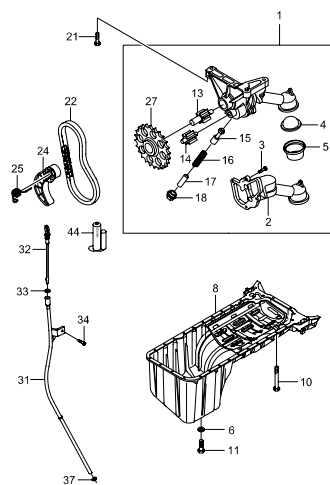
1521 COOLING SYSTEM(E23)



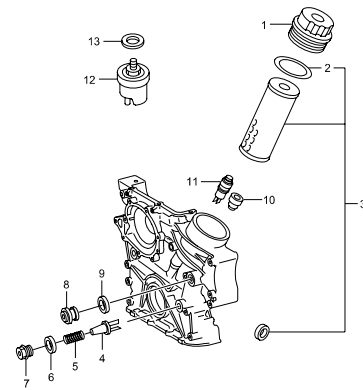
1531 OIL PAN & PUMP(E23)



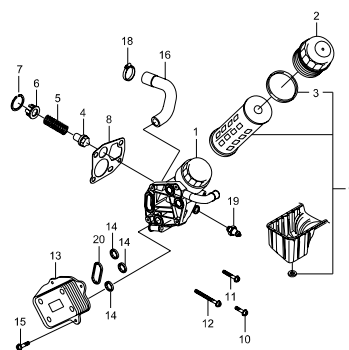
1533 OIL PAN & PUMP(D20DT)



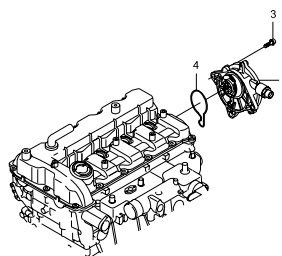
1541 OIL FILTER(E23)



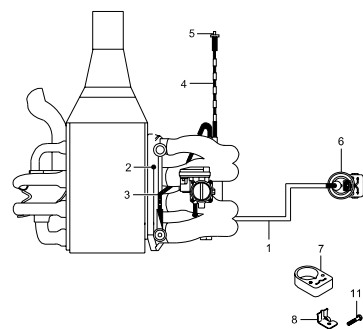
1543 OIL FILTER(D20DT)



1610 VACUUM PUMP(DSL)

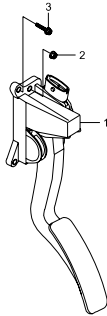


1623 VACUUM SYSTEM(E23)

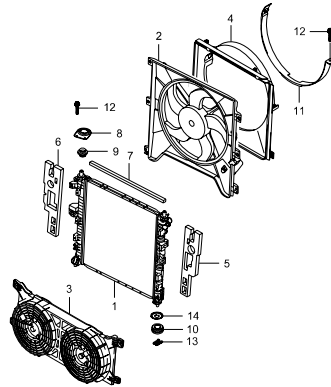


2. FUEL & ENGINE CONTROL

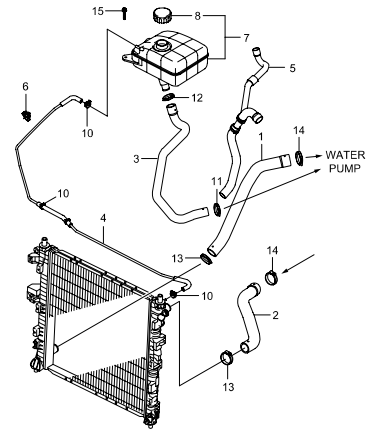
2010 ACCELERATOR CONTROL



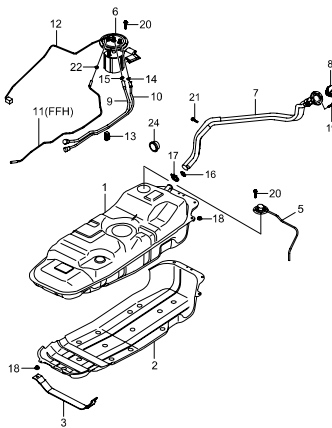
2112 RADIATOR & COOLING FAN



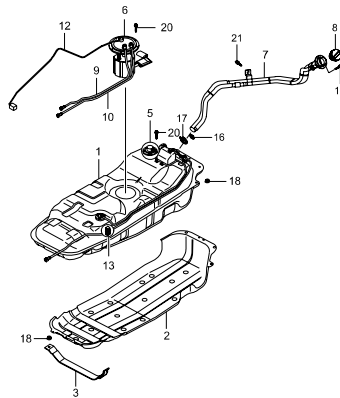
2130 RADIATOR HOSE & PIPE



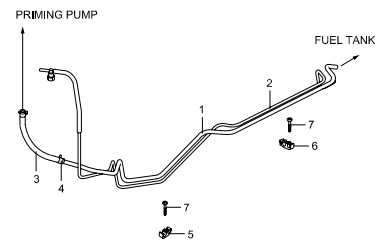
2210 FUEL TANK(DSL)



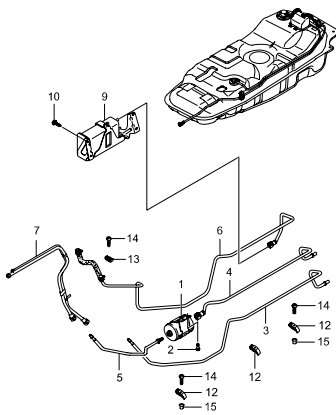
2211 FUEL TANK(GSL)



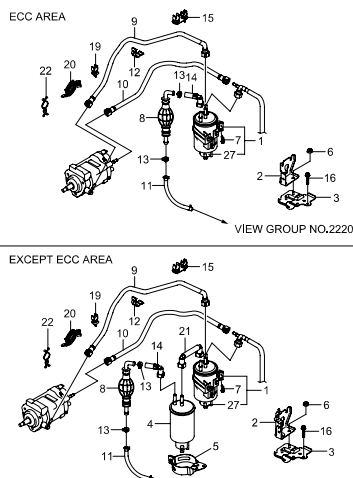
2220 FUEL LINE(DSL)



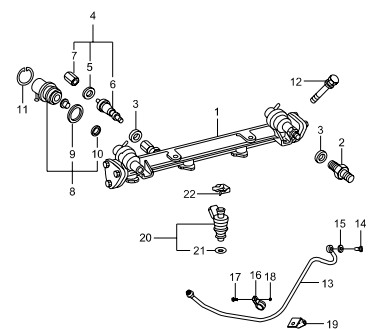
2221 FUEL LINE(GSL)



2231 FUEL FILTER & LINE(D20DT)

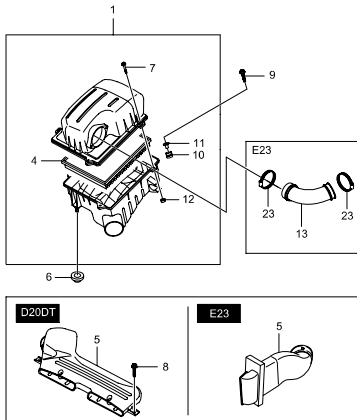


2241 FUEL SYSTEM(E23)

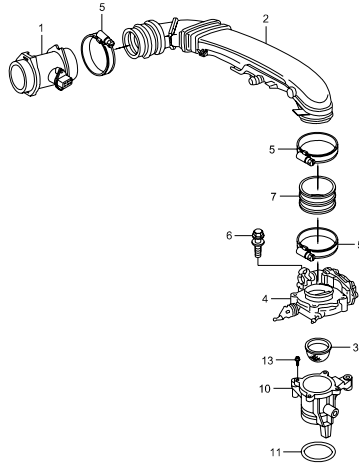


2. FUEL & ENGINE CONTROL

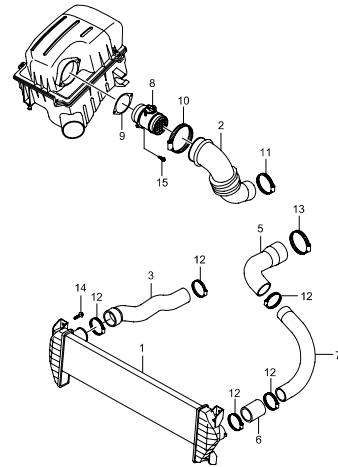
2313 AIR CLEANER



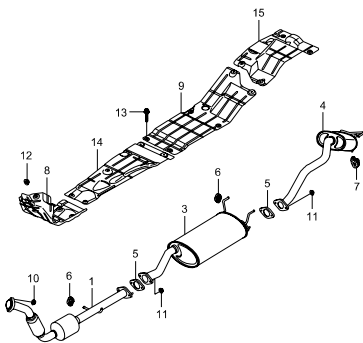
2320 AIR INTAKE SYSTEM(E23)



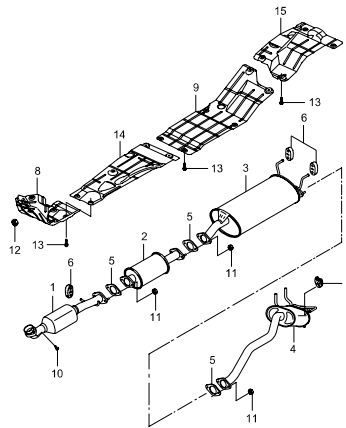
2330 AIR INTERCOOLER



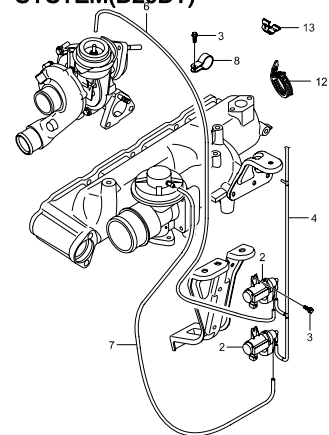
2411 EXHAUST SYSTEM(D20DT)



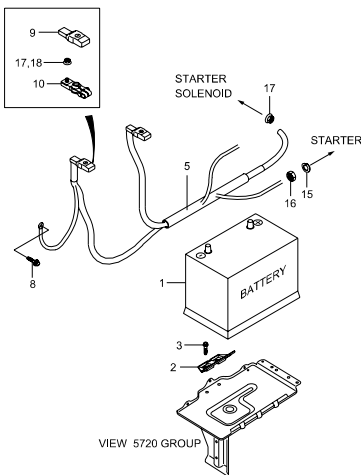
2421 EXHAUST SYSTEM(E23)



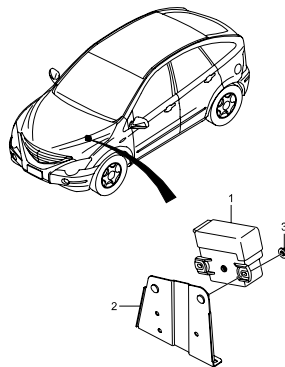
2432 EXHAUST GAS RECIRCULATION SYSTEM(D20DT)



2610 BATTERY & CABLE

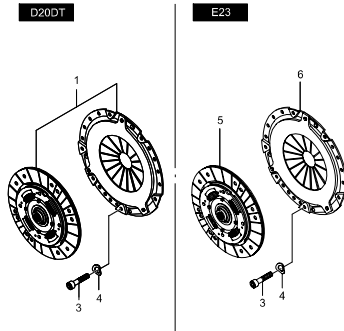


2820 PREHEATING CONTROL SYSTEM

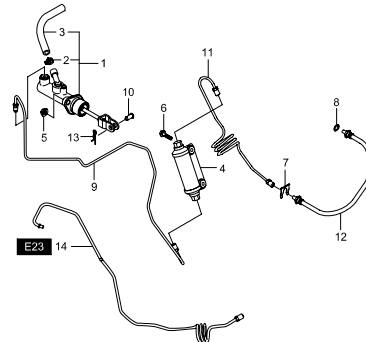


3. POWER TRAIN SYSTEM

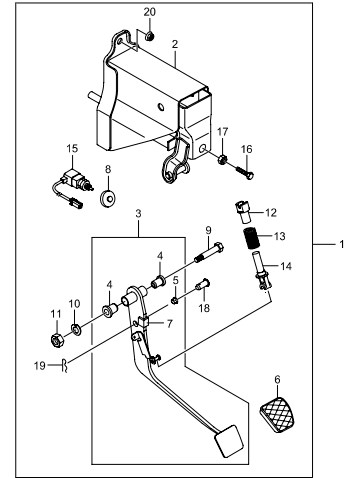
3010 CLUTCH DISC & HOUSING



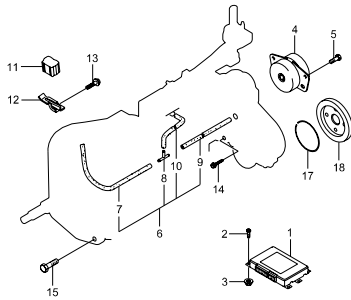
3020 CLUTCH CONTROL



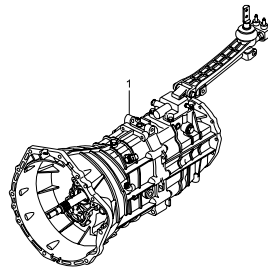
3030 CLUTCH PEDAL



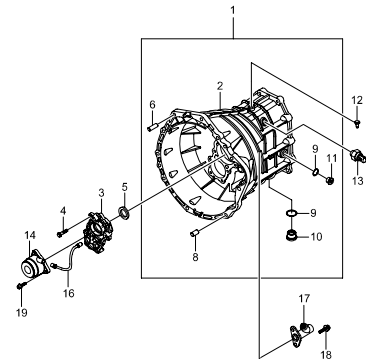
3110 T/M & T/C ATTACHMENT



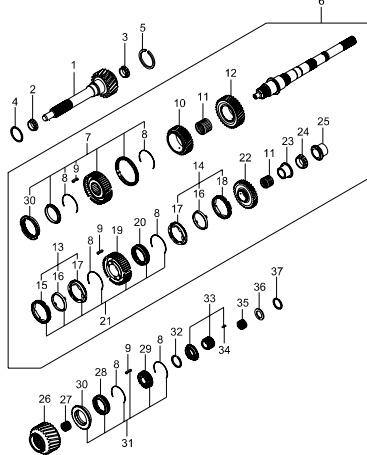
3170 TRANSMISSION-TSM54(M/T,4WD)



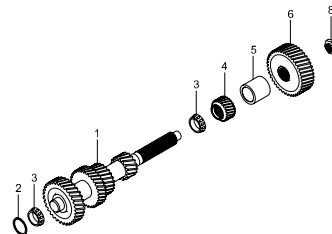
3171 CLUTCH HOUSING-TSM54(M/T,4WD)



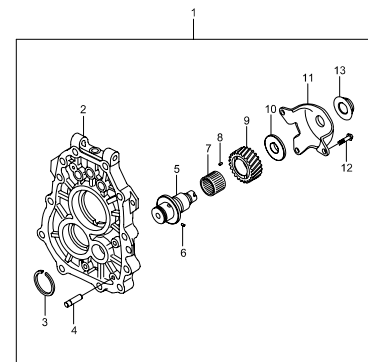
3172 INPUT & OUTPUT SHAFT-TSM54(M/T,4WD)



3173 COUNT SHAFT GEAR-TSM54(M/T,4WD)

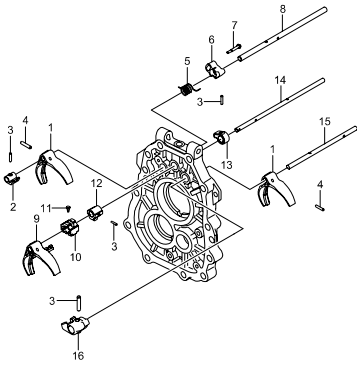


3174 ADAPTOR ASSY-TSM54(M/T,4WD)

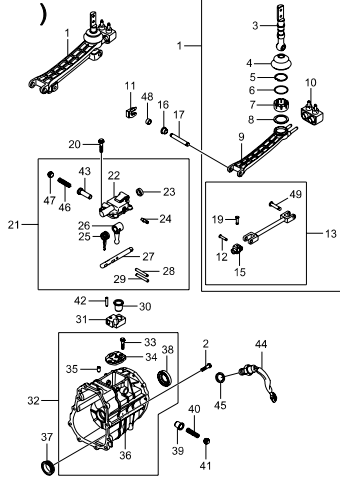


3. POWER TRAIN SYSTEM

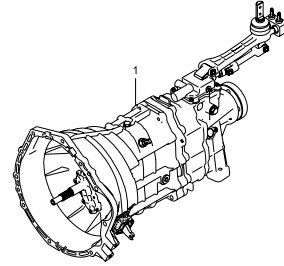
**3175 RAIL & SHIFT
FORK-TSM54(M/T,4WD)**



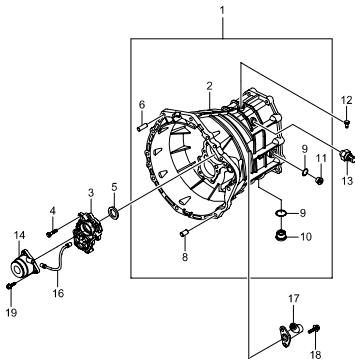
**3176 SHIFTER &
EXTENSION-TSM54(M/T,4WD)**



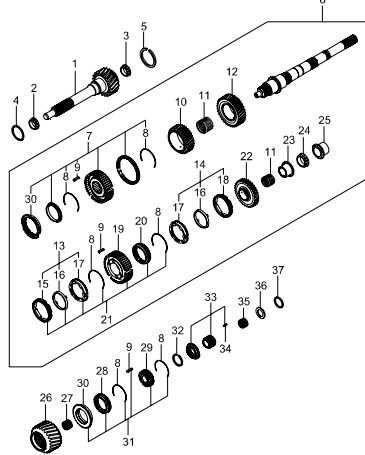
**3180 TRANSMISSION-TSM52(M/T,2
WD)**



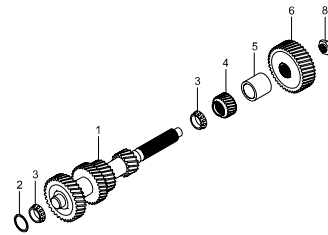
**3181 CLUTCH
HOUSING-TSM52(M/T,2WD)**



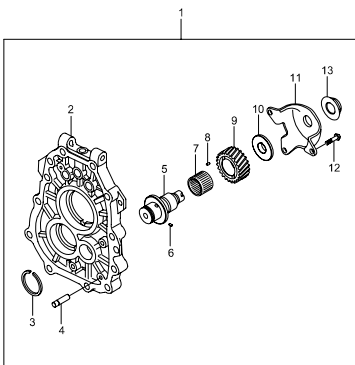
**3182 INPUT & OUTPUT
SHAFT-TSM52(M/T,2WD)**



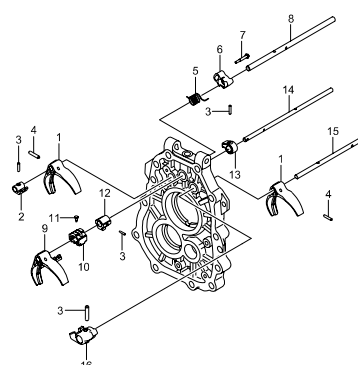
**3183 COUNT SHAFT
GEAR-TSM52(M/T,2WD)**



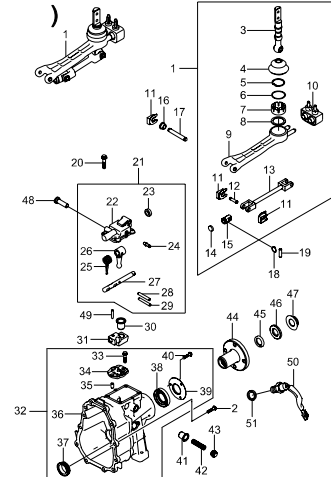
**3184 ADAPTOR
ASSY-TSM52(M/T,2WD)**



**3185 RAIL & SHIFT
FORK-TSM52(M/T,2WD)**

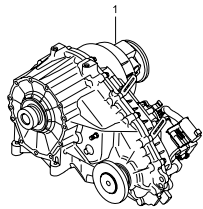


**3186 SHIFTER &
EXTENSION-TSM52(M/T,2WD)**

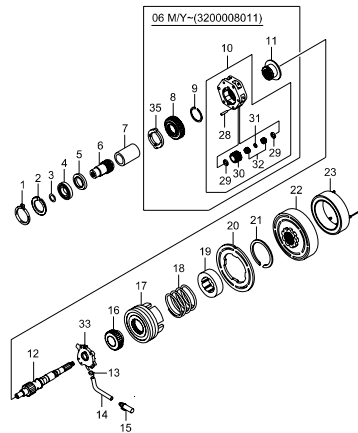


3. POWER TRAIN SYSTEM

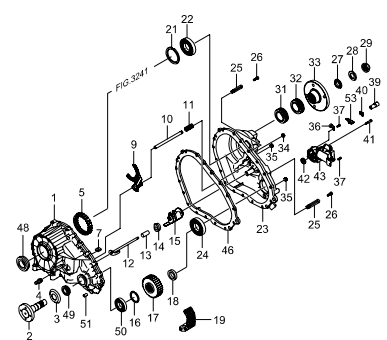
3240 TRANSFER CASE;P/TIME



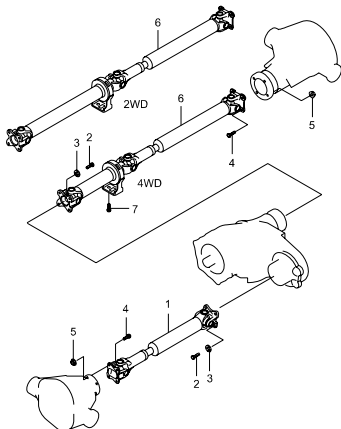
3241 TRANSFER CASE;P/TIME(1)



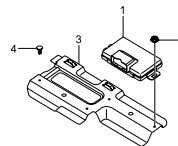
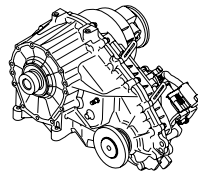
3242 TRANSFER CASE;P/TIME(2)



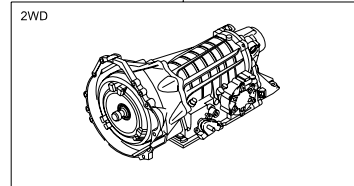
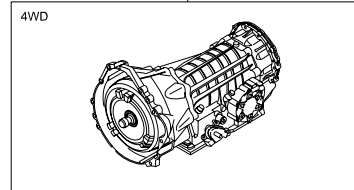
3310 PROPELLER SHAFT



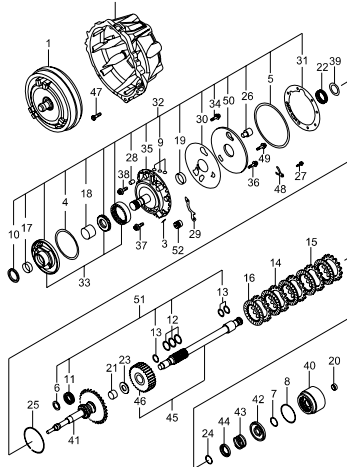
3410 SPEEDOMETER SENSOR & TCU



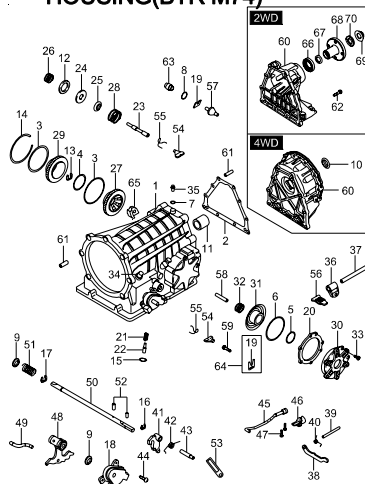
3640 AUTOMATIC TRANSMISSION(BTR M74)



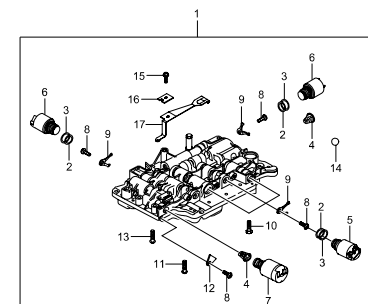
3641 CONVERTER HOUSING & OIL PUMP(BTR M74)



3642 TRANSMISSION HOUSING(BTR M74)

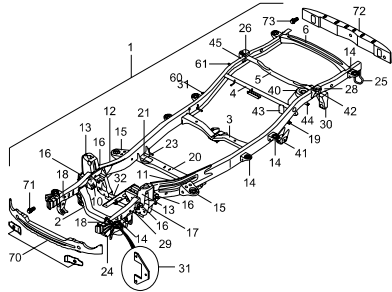


3643 VALVE BODY(BTR M74)

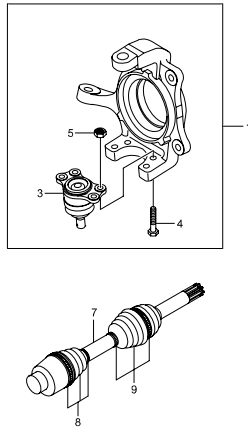


4. CHASSIS

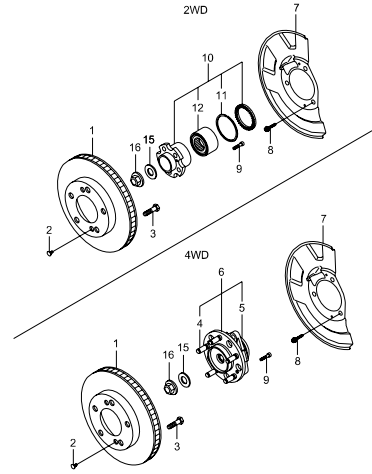
4010 FRAME



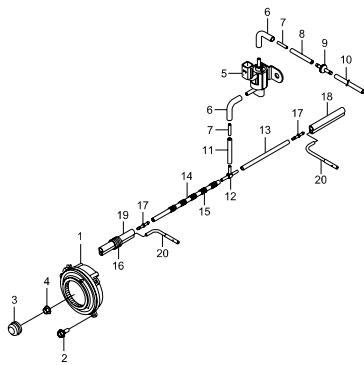
4110 AXLE SHAFT



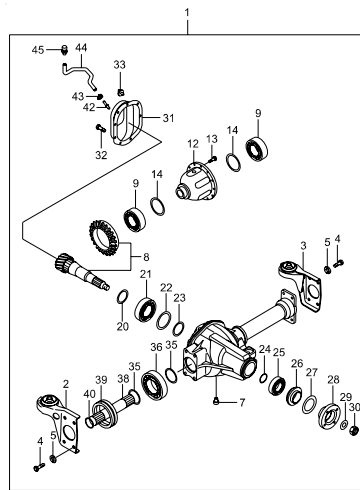
4115 FRT HUB & DISC



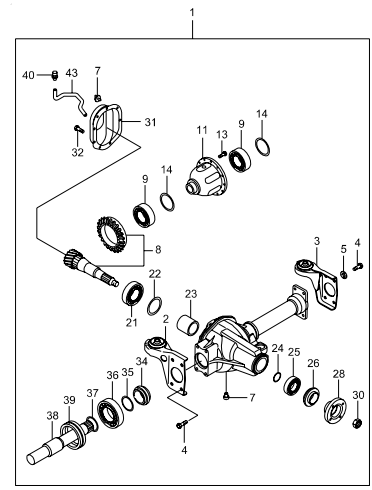
4116 LOCKING HUB



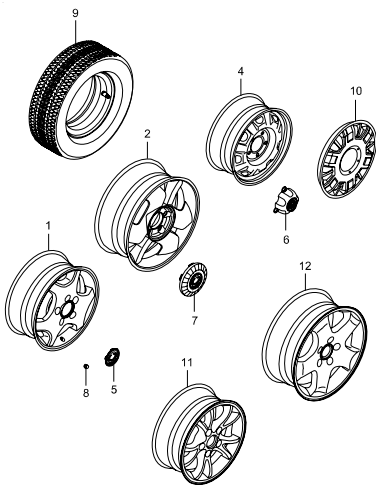
4120 FRT AXLE(KSC)



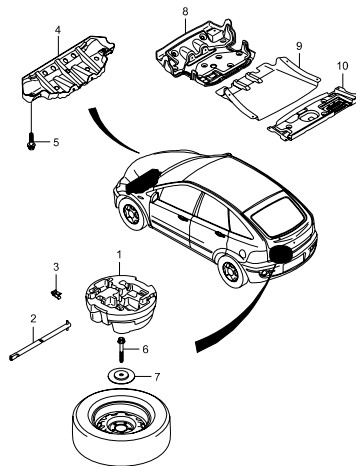
4121 FRT AXLE(TONGIL)



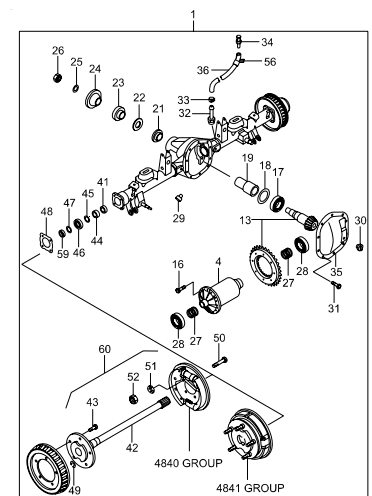
4170 TIRE & WHEEL DISC



4180 SPARE TIRE & CARRIER

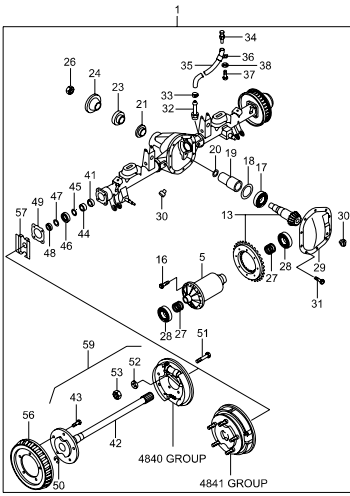


4210 REAR AXLE(KSC)

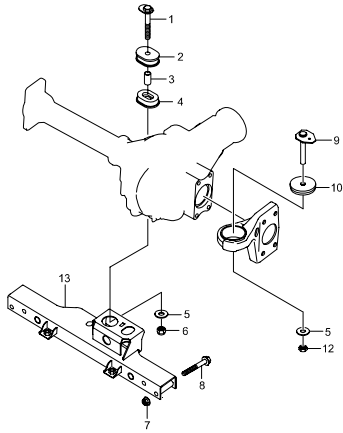


4. CHASSIS

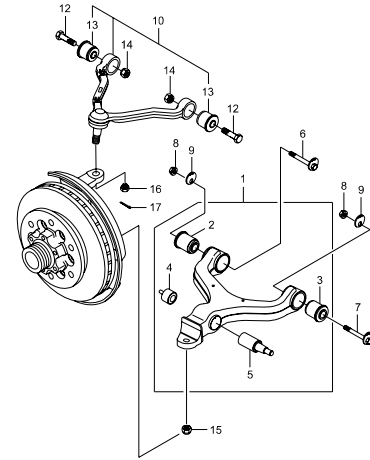
4211 REAR AXLE(TONGIL)



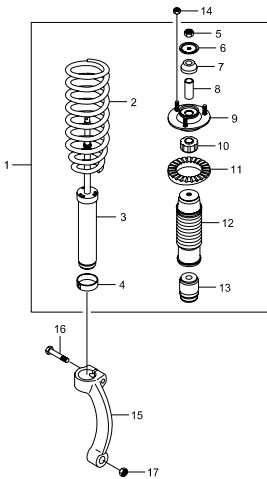
4310 FRONT AXLE MOUNTING



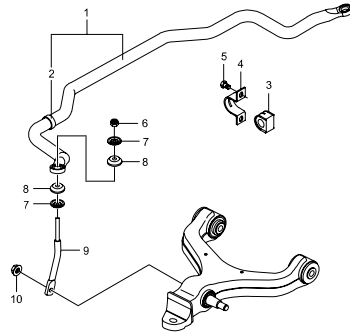
4410 FRONT SUSPENSION



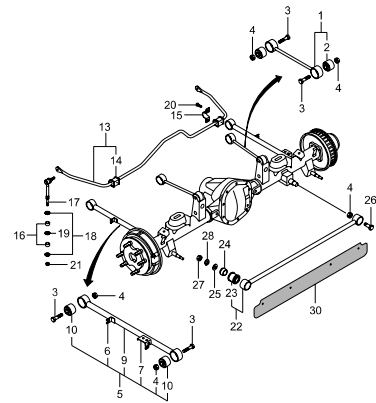
4411 FRONT SHOCK ABSORBER



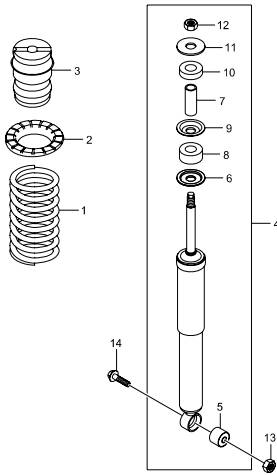
4420 STABILIZER BAR



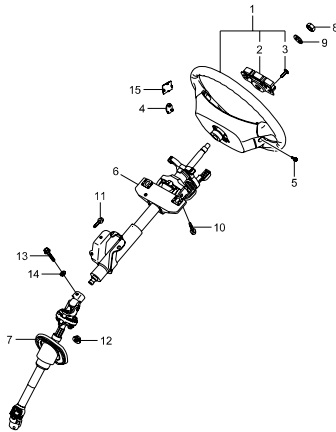
4510 REAR SUSPENSION(5-LINK)



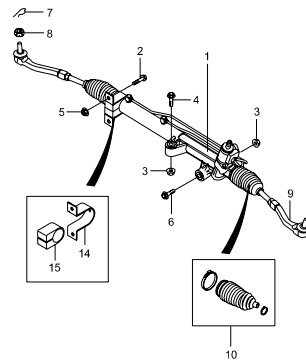
4511 REAR SHOCK ABSORBER(5-LINK)



4610 STEERING WHEEL & COLUMN

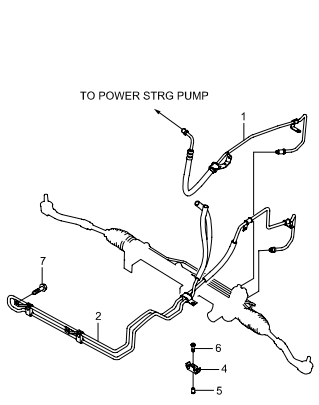


4620 STEERING GEAR LINKAGE

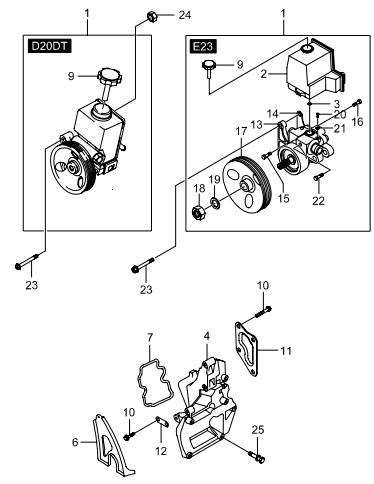


4. CHASSIS

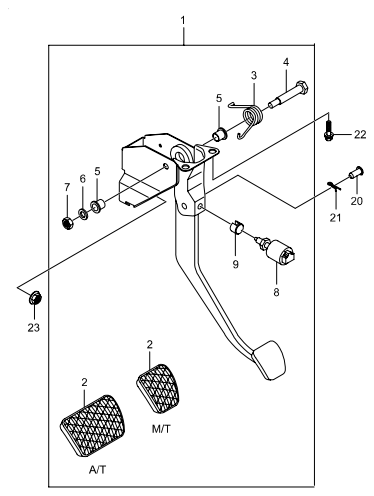
4640 POWER STEERING PIPE LINE



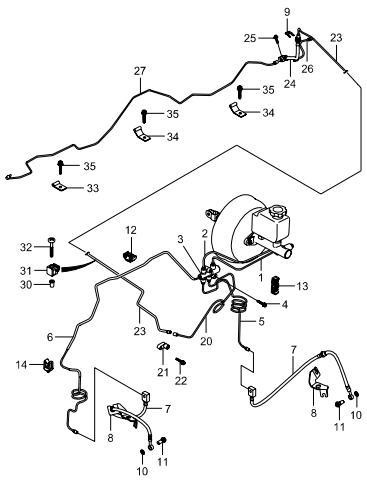
4711 POWER STEERING PUMP



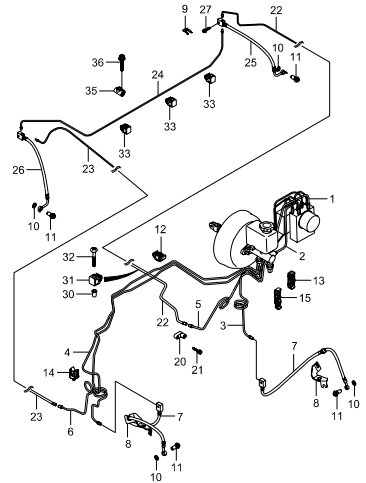
4810 BRAKE PEDAL



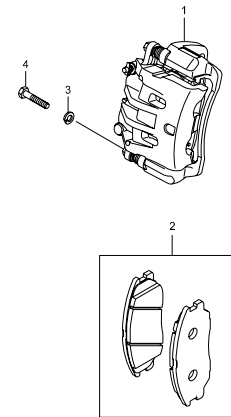
4824 BRAKE PIPE(NON ABS/ESP)



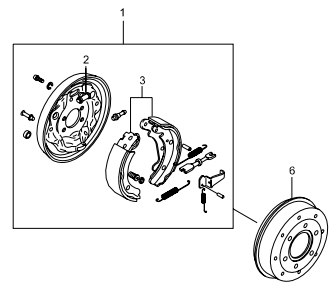
4825 BRAKE PIPE(W/ ABS/ESP)



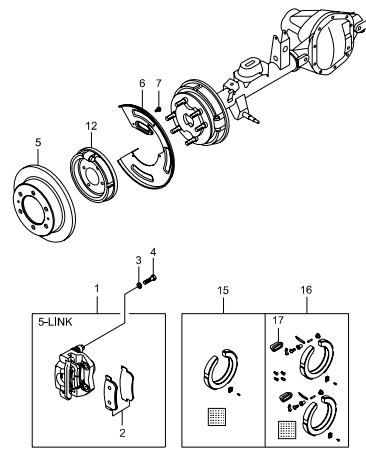
4830 FRONT BRAKE



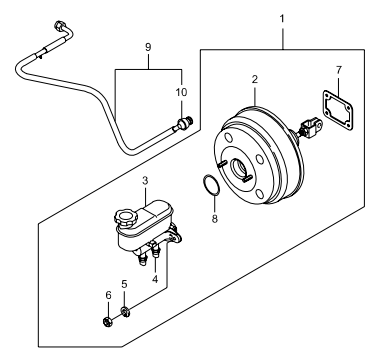
4840 REAR BRAKE(DRUM)



4841 REAR BRAKE(DISC)

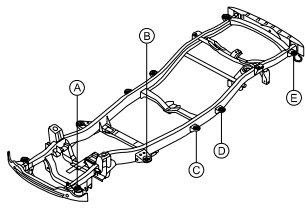


4850 MASTER CYLINDER & BOOSTER



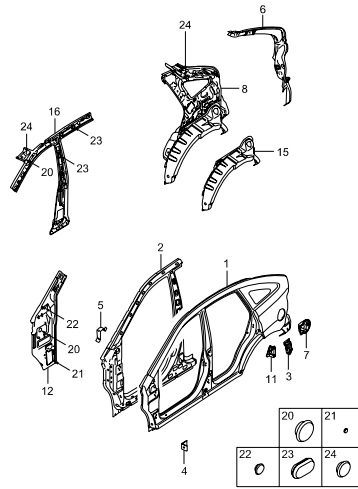
5. BODY

5120 BODY MOUNTING



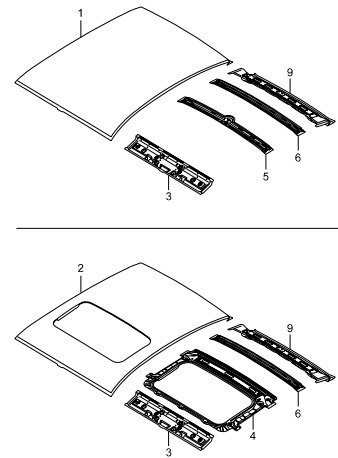
VIEW A	VIEW B	VIEW C	VIEW D	VIEW E
5	8	16	20	22
3	9	15	19	15
4	4	4	4	4
6	6	6	6	6
10	10	10	7	10

5210 SIDE & REAR BODY

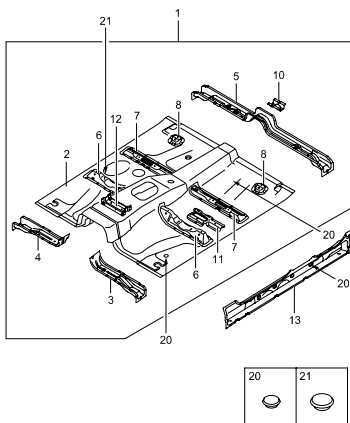


20	21
22	23
24	

5510 ROOF PANEL

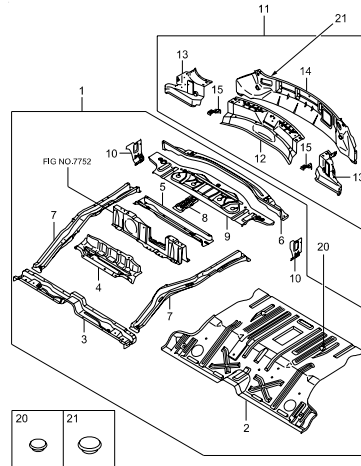


5610 FRONT FLOOR PANEL



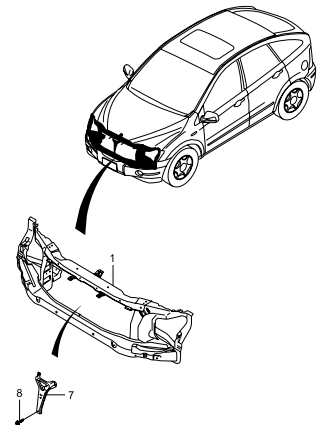
20	21
----	----

5620 REAR FLOOR PANEL

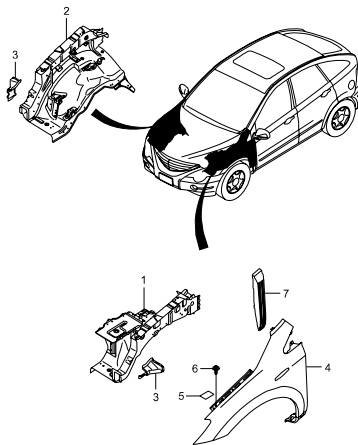


20	21
----	----

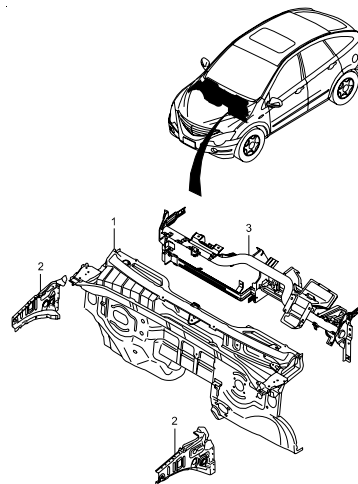
5710 FRONT END PANEL



5720 FENDER & APRON PANEL

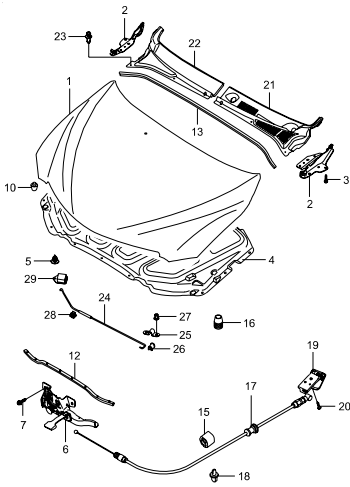


5730 DASH PANEL & COWL

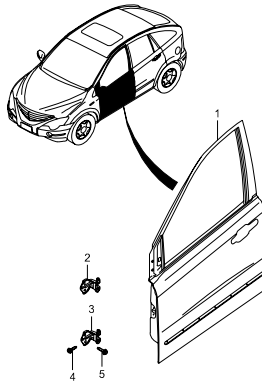


6. BODY HANGON PARTS

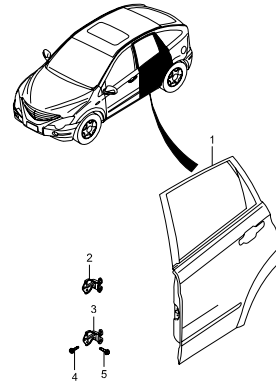
6110 HOOD PANEL



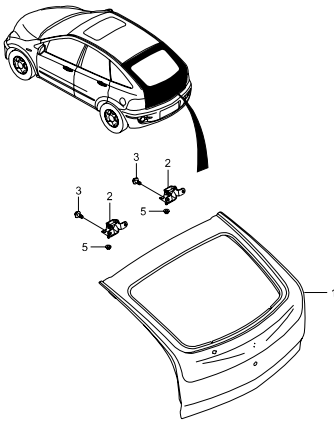
6210 FRONT DOOR PANEL



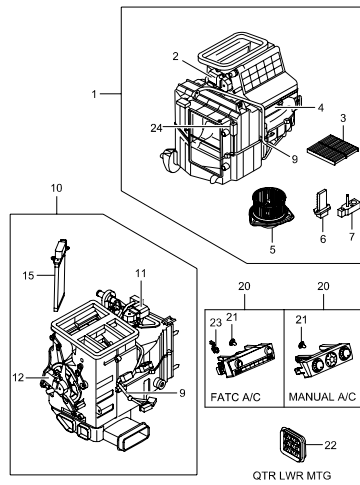
6310 REAR DOOR PANEL



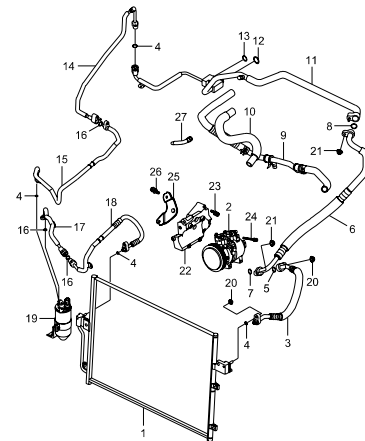
6410 TAIL GATE PANEL



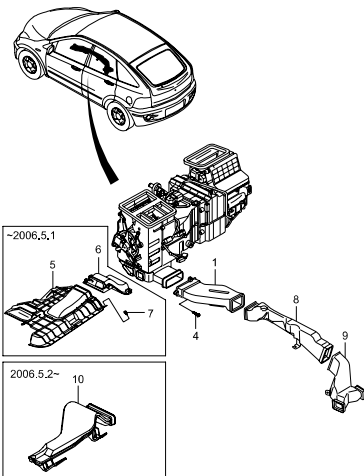
6810 AIR CONDITIONER MODULE



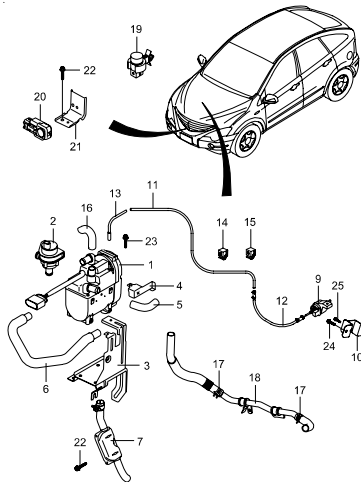
6820 AIR CONDITIONER HOSE & PIPE



6830 AIR DISTRIBUTOR

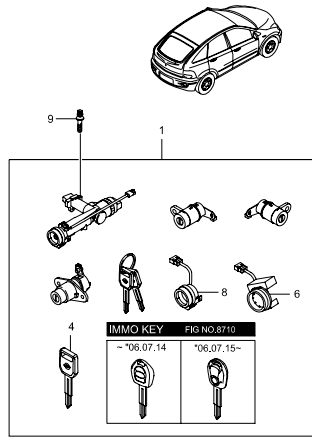


6910 FUEL FIRED HEATER

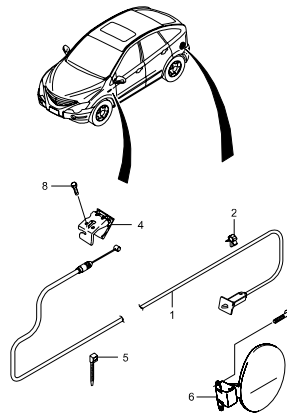


7. INTERIOR & EXTERIOR

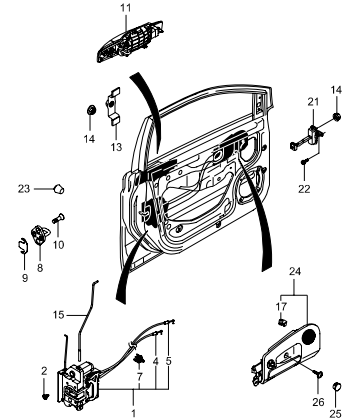
7010 KEY SET



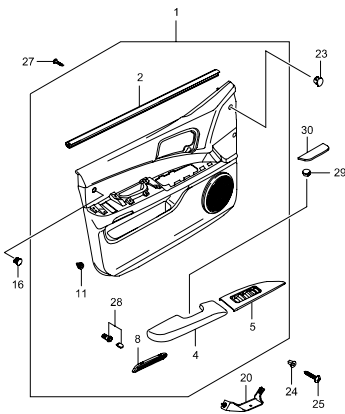
7090 FUEL FILLER DOOR LOCK



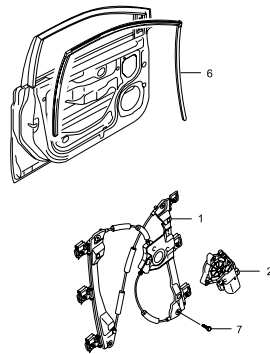
7110 FRT DOOR OPENING SYSTEM



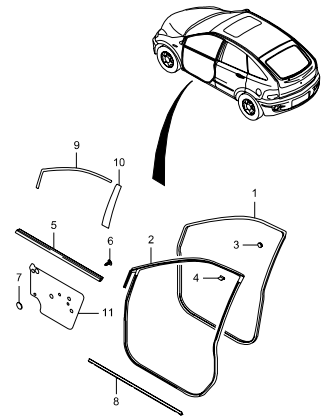
7115 FRT DOOR TRIM



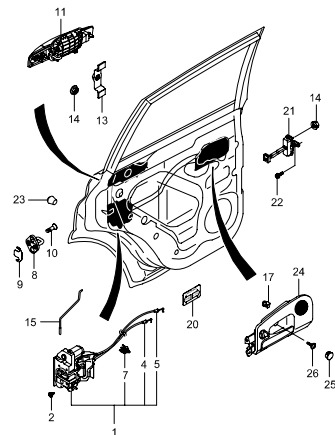
7120 FRT WINDOW LIFTER



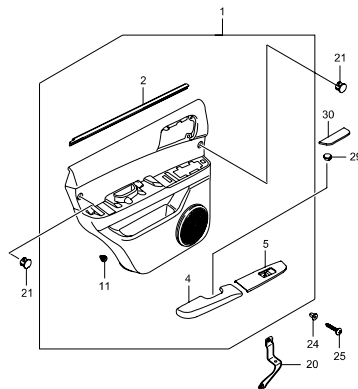
7121 FRT WEATHER STRIP



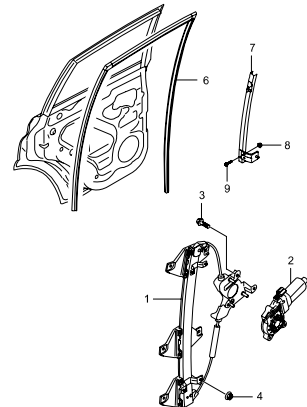
7210 REAR DOOR OPENING SYSTEM



7215 REAR DOOR TRIM

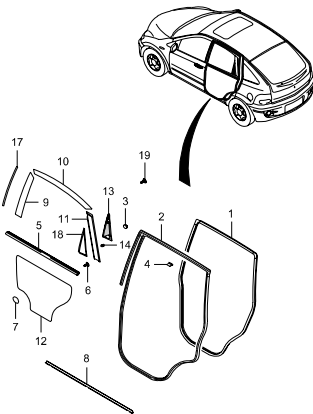


7220 REAR WINDOW LIFTER

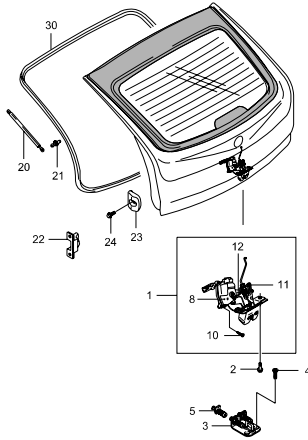


7. INTERIOR & EXTERIOR

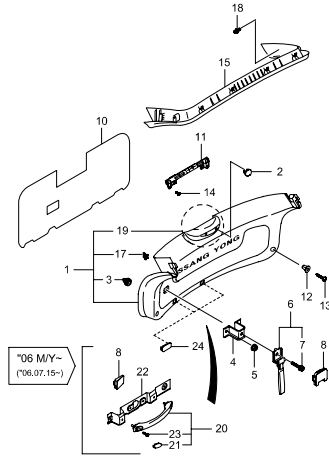
7221 REAR WEATHER STRIP



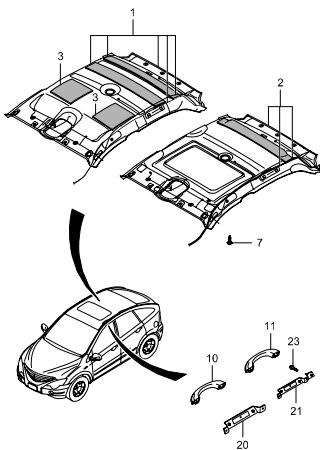
7310 TAIL GATE OPENING SYSTEM



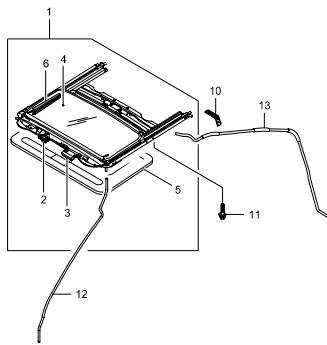
7321 REAR END TRIM



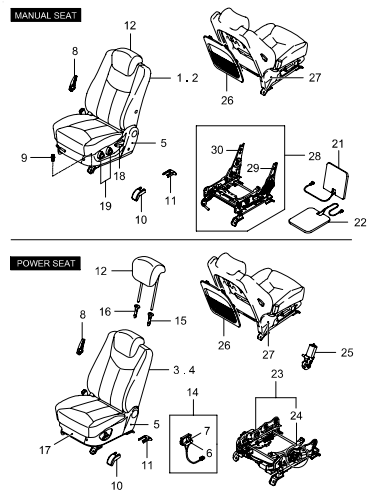
7330 HEAD LINING



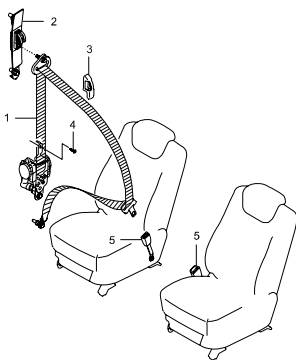
7340 SUNROOF



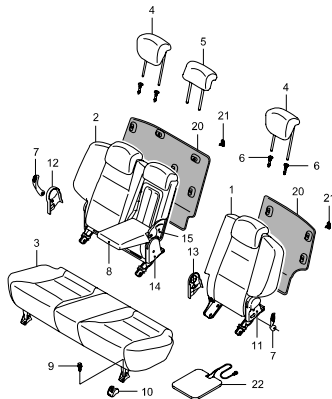
7410 FRONT SEAT



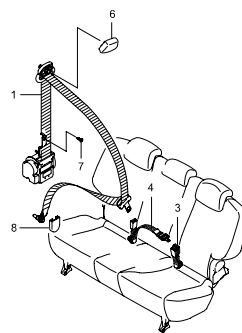
7430 FRONT SEAT BELT



7510 REAR SEAT

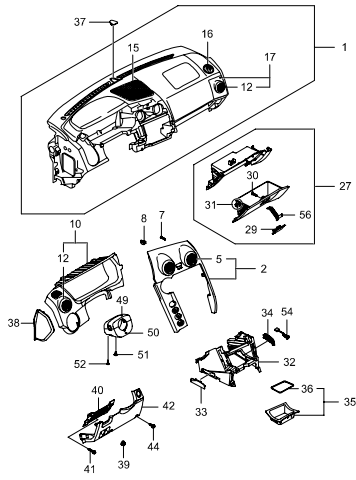


7530 REAR SEAT BELT

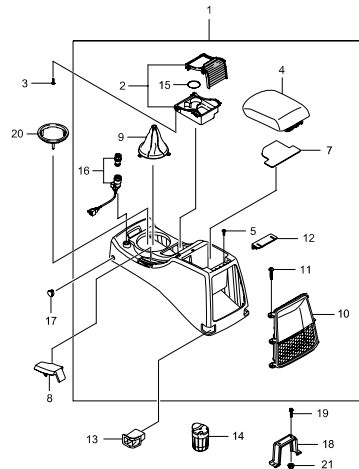


7. INTERIOR & EXTERIOR

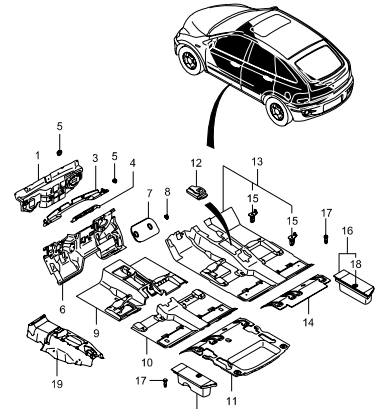
7610 INSTRUMENT PANEL



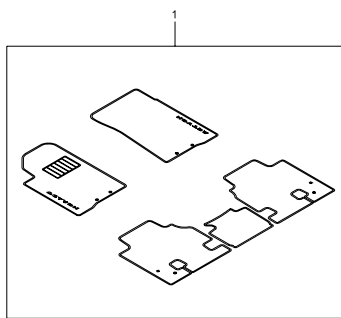
7632 FRONT CONSOLE



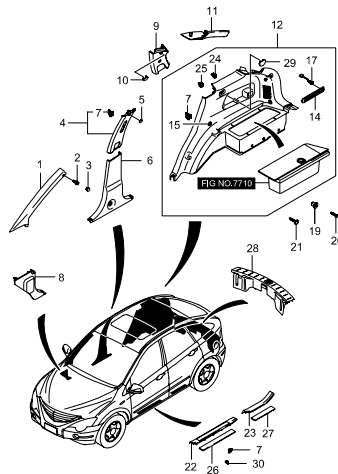
7710 FLOOR CARPET



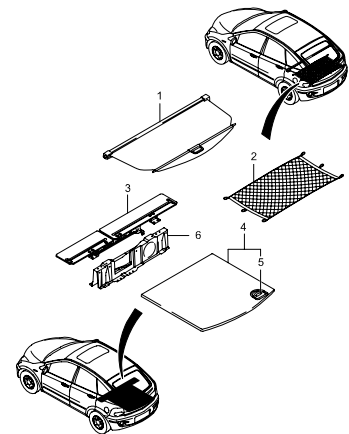
7711 SERVICE MAT



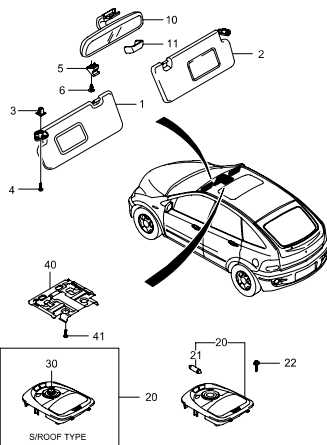
7730 PILLAR TRIM



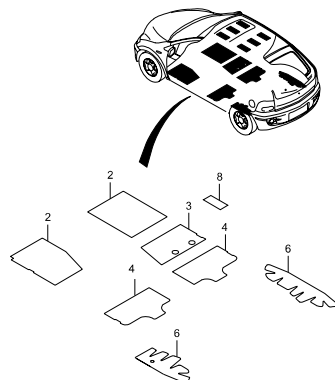
7752 LUGGAGE PARTS



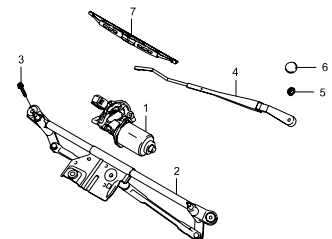
7770 SUNSHADE & INSIDE MIRROR



7792 ANTI VIBRATION PAD

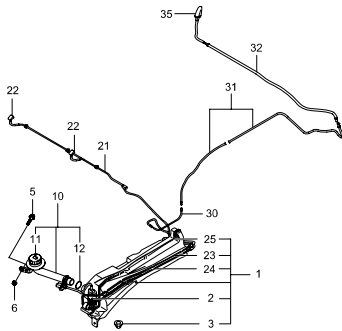


7810 WINDSHIELD WIPER

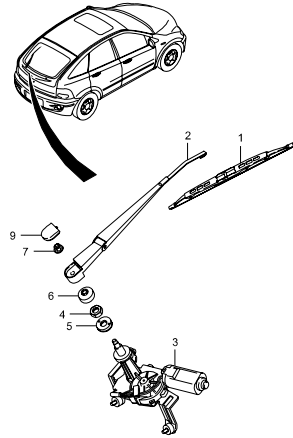


7. INTERIOR & EXTERIOR

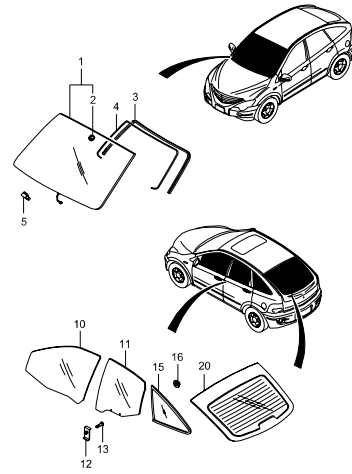
7820 WINDSHIELD WASHER



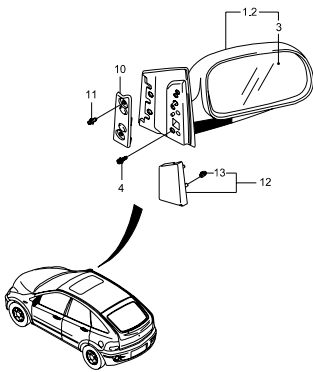
7830 BACK WINDOW WIPER



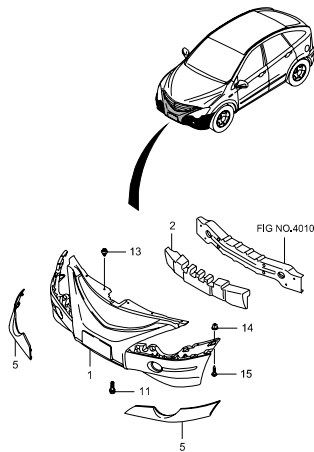
7840 GLASS



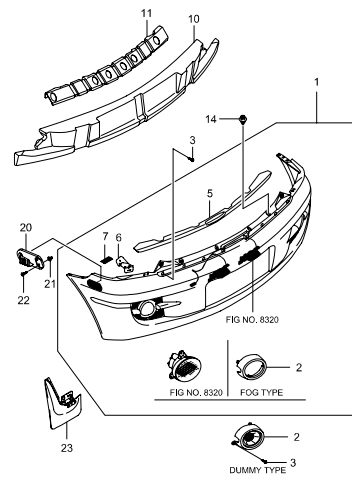
7850 OUTSIDE MIRROR



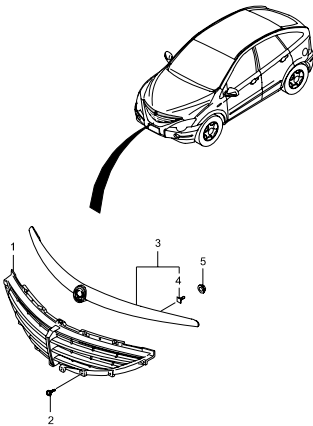
7870 FRONT BUMPER



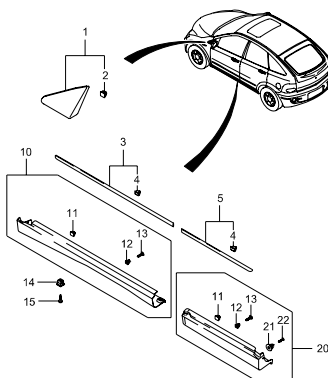
7880 REAR BUMPER



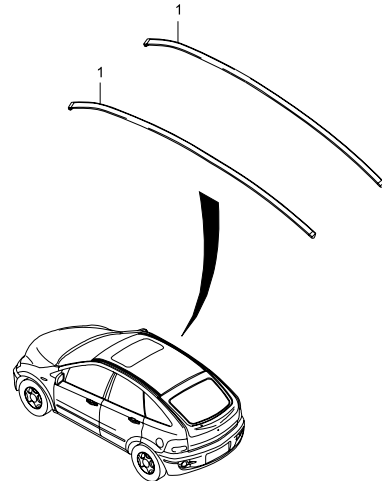
7910 RADIATOR GRILLE



7930 SIDE BODY MOLDING

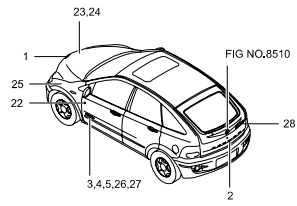


7940 ROOF & REAR BODY MOLDING



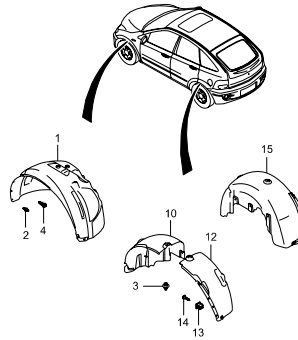
7. INTERIOR & EXTERIOR

7950 EMBLEM & LETTERING



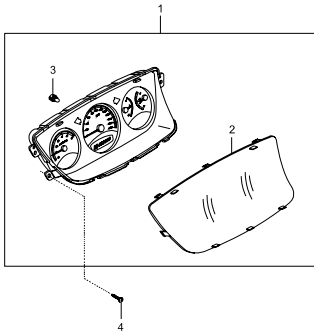
1	2	A C T I V O N	
	3	4	5
26	22	23	
27			
24	25	28	

7970 WHEEL HOUSE COVER

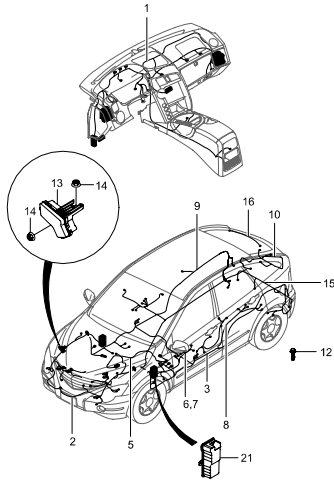


8. ELECTRICAL EQUIPMENTS

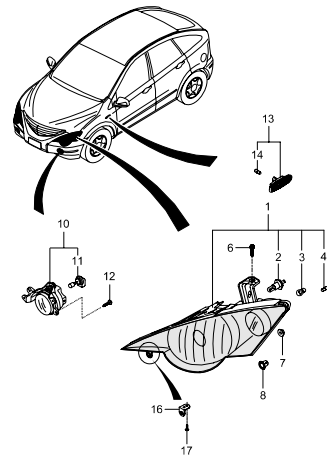
8010 INSTRUMENT CLUSTER



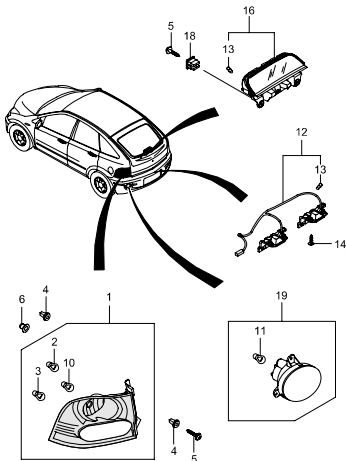
8210 WIRING



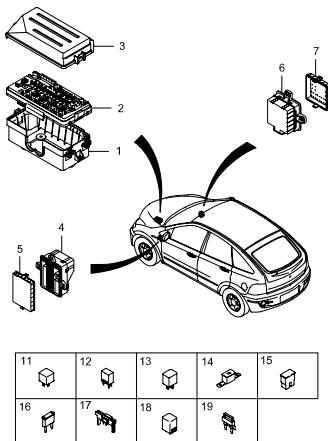
8310 FRONT LAMP



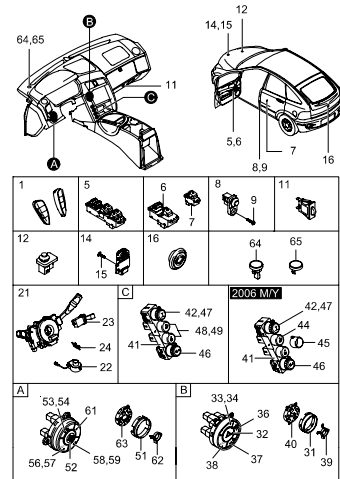
8320 REAR LAMP



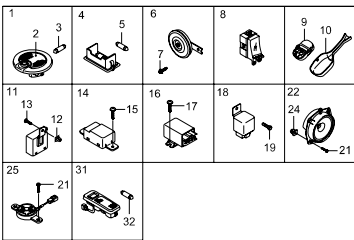
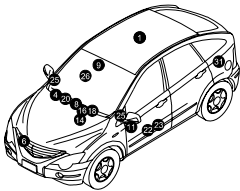
8410 FUSE & RELAY



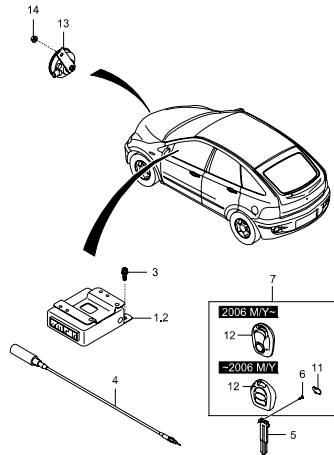
8510 SWITCH & SENSOR



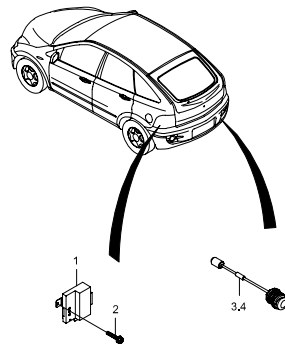
8610 ELECTRICAL PARTS



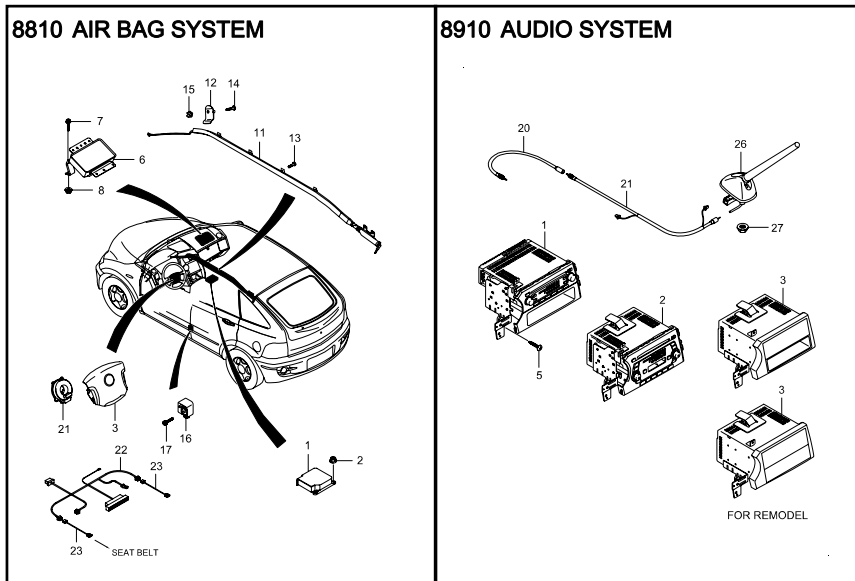
8710 CAR ALARM & ANTI-THIEF SYSTEM



8790 PARKING AID SYSTEM

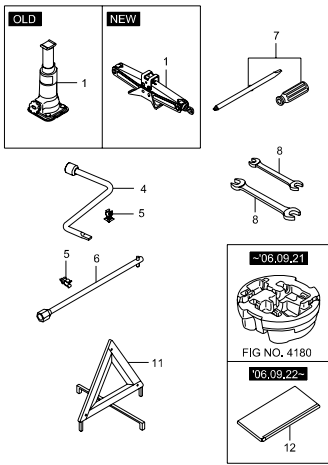


8. ELECTRICAL EQUIPMENTS

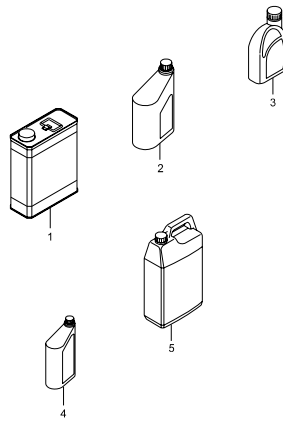


9. O.V.M TOOL & ACCESSORY

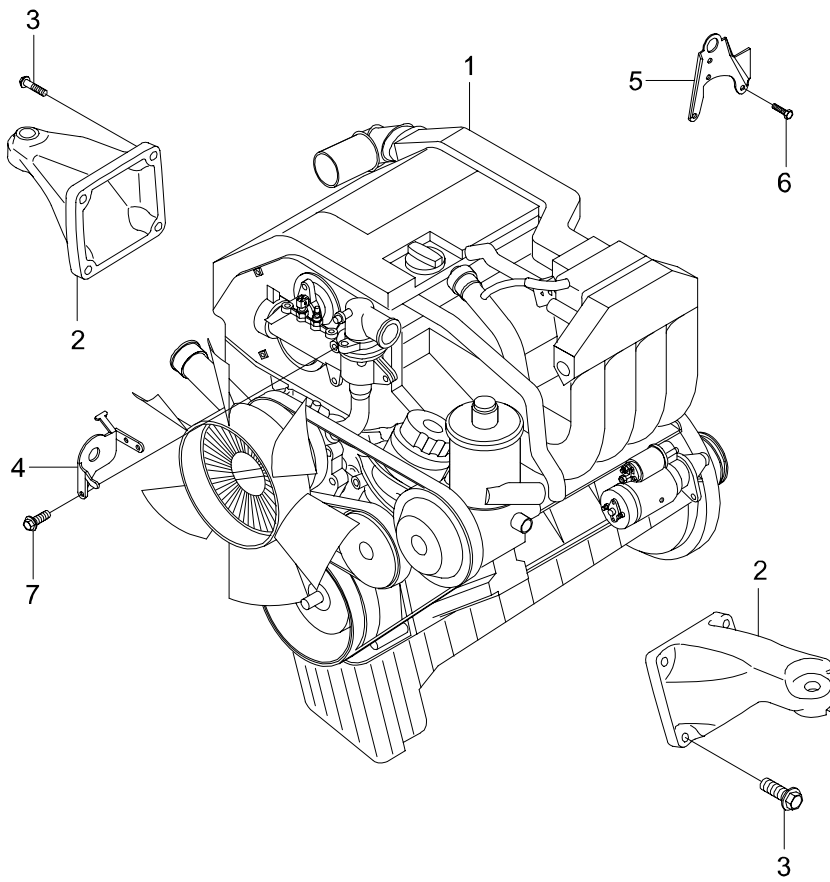
9110 O.V.M TOOL



9210 OIL & ANTIFREEZE



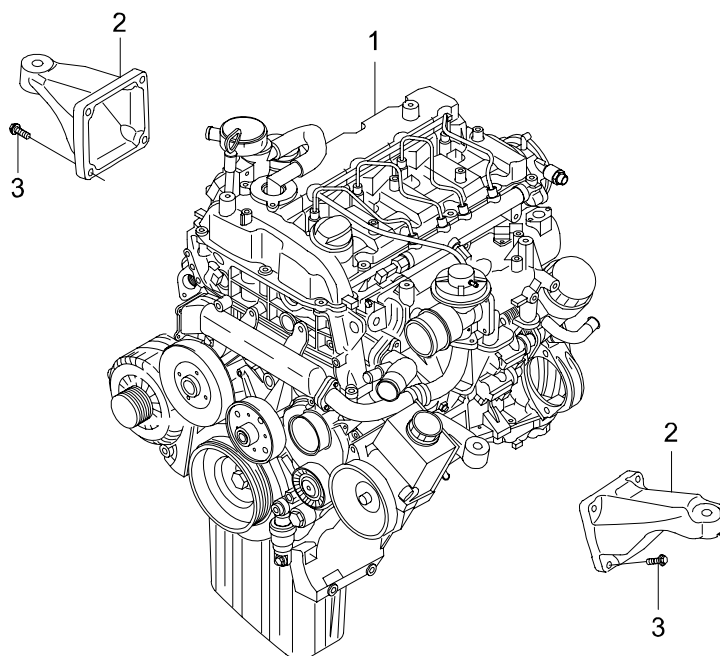
1112 ENGINE UNIT(E23)



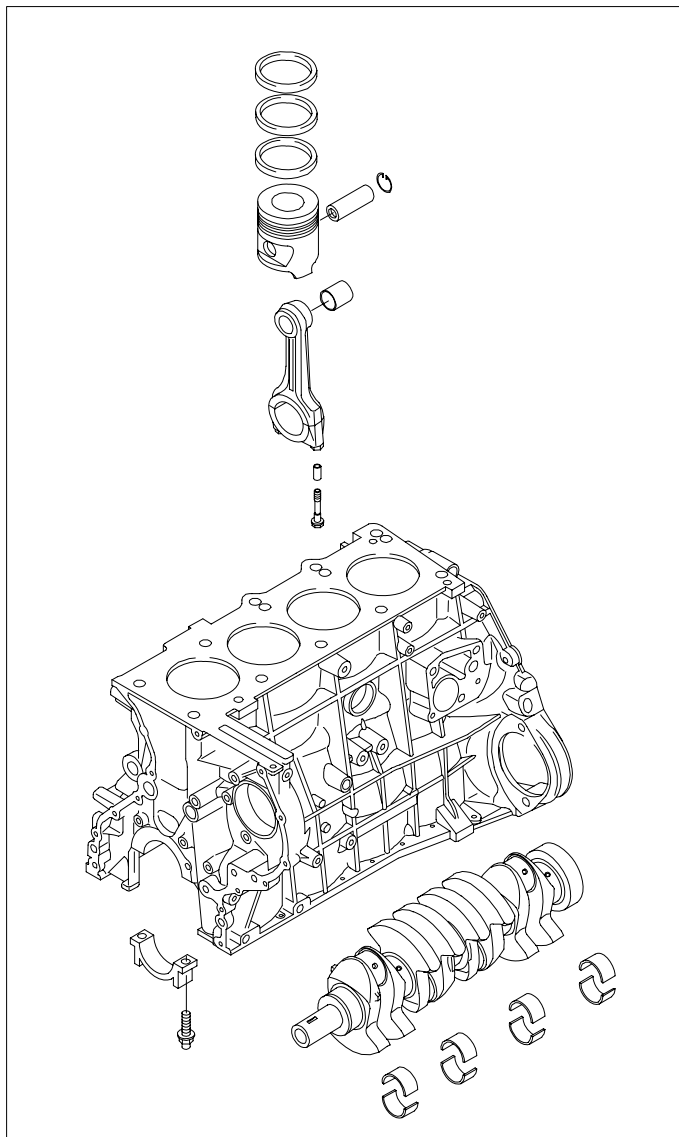
1112 ENGINE UNIT(E23)

I T C	KEY NO. PART NO	PART NAME OPTION	L / R	T / M	D R V	MODEL										EFF. DATE		REMARK		
						D2	E2	0D	3										FROM	TO
	[01]	ENGINE ASSY																		
	1610101798	ALT 115A, NPS		M	L												06'0715	G23C-001		
	1610101898	ALT 115A, NPS		A	L												06'0715	G23C-050		
	1610102198	ALT 115A, NPS		A	L												06'0715	G23C-051,CHINA ONLY		
	1610101998	ALT 115A, NPS		M	R												06'0715	G23C-011		
	1610102098	ALT 115A, NPS		A	R												06'0715	G23C-060		
	[02]	BRKT-ENGINE MTG																		
	1612234604			LH													06'0715			
	6652231204			RH													06'0715	07'0312		
N	6652232304			RH													07'0313			
	[03]	BOLT																		
	914005008008																06'0715	M8X30		
	[04]	BRKT-ENGINE HANGER FRT																		
	1612203041																06'0715	06'1119		
Y	1612203141																06'1120			
	[05]	BRKT-ENGINE HANGER RR																		
	1612233441																06'0715	07'0204		
Y	1612233641																07'0205			
	[06]	BOLT																		
	000933008214																06'0715	M8X16		
	[07]	BOLT																		
	914005008015																06'0715	M8X35		
	914010008033																06'0715	M8X75		

1114 ENGINE UNIT(D20DT)

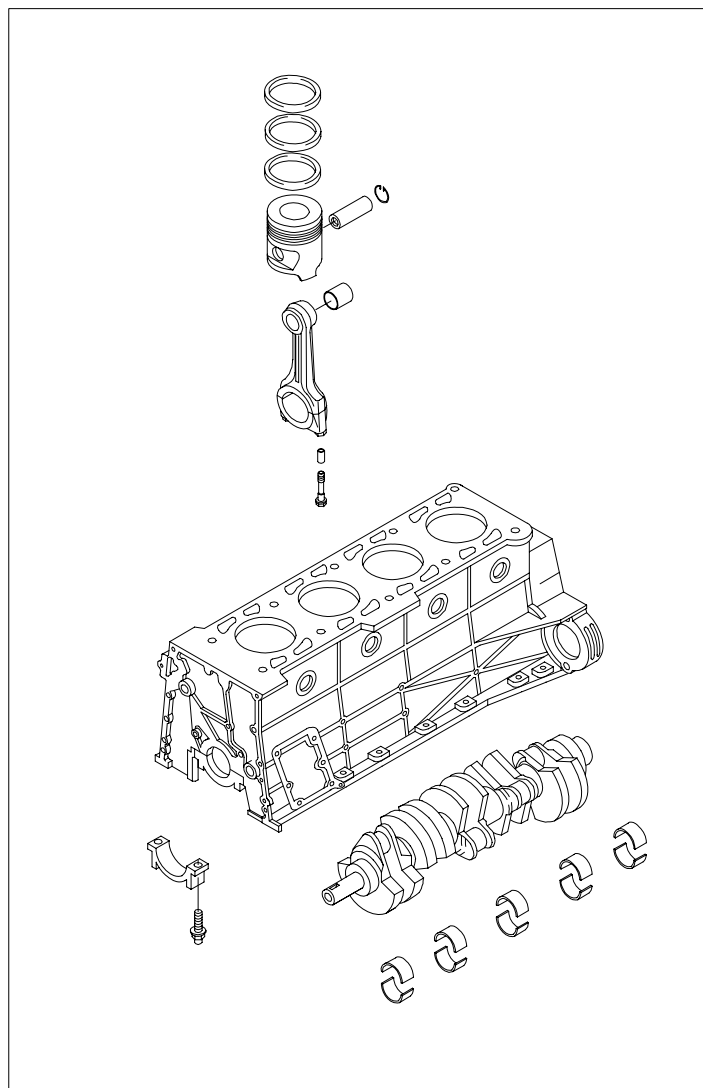


1120 SHORT BLOCK(DSL)



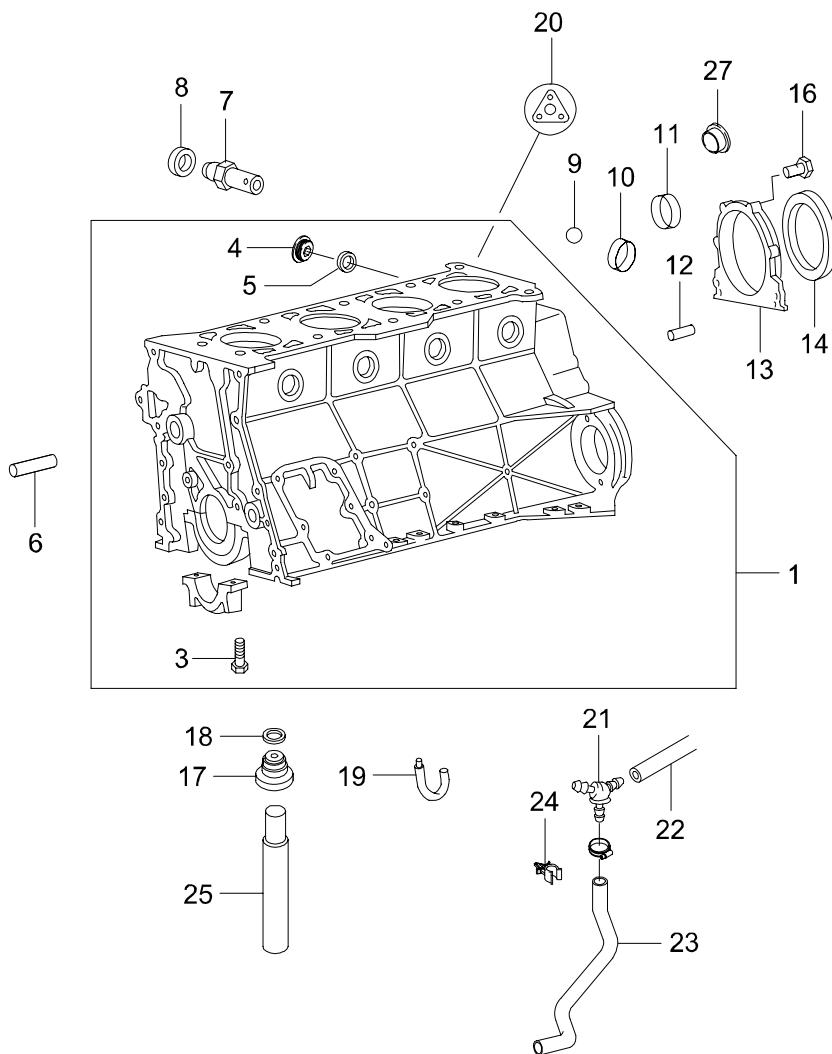
1

1121 SHORT BLOCK(GSL)

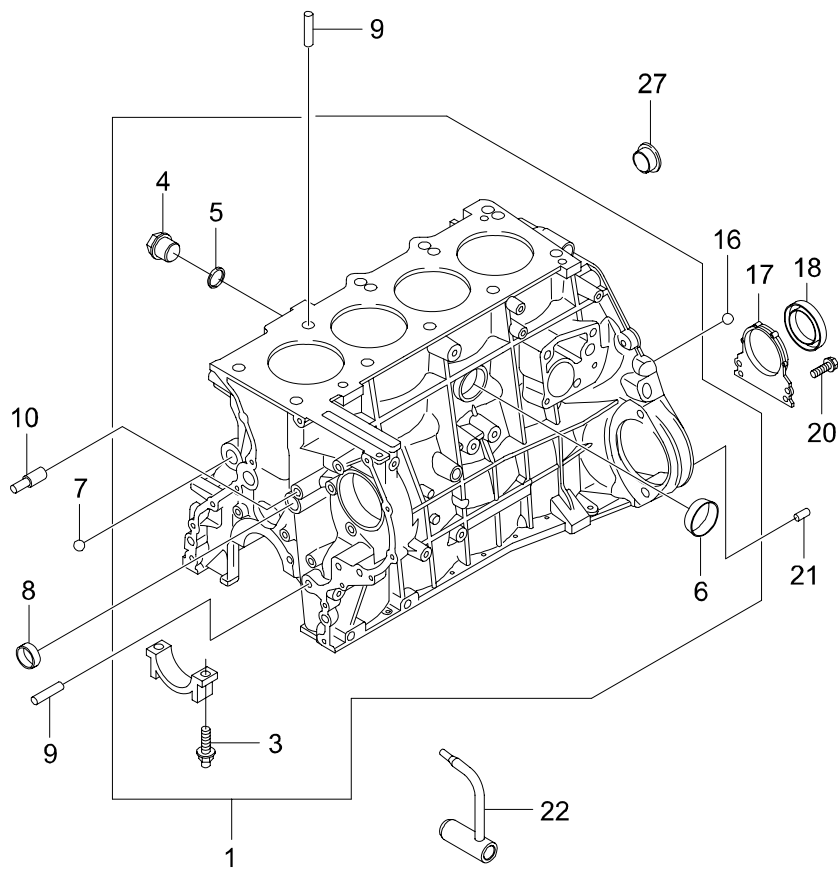


1121 - 01

1123 CYLINDER BLOCK(E23)



1125 CYLINDER BLOCK(D20DT)

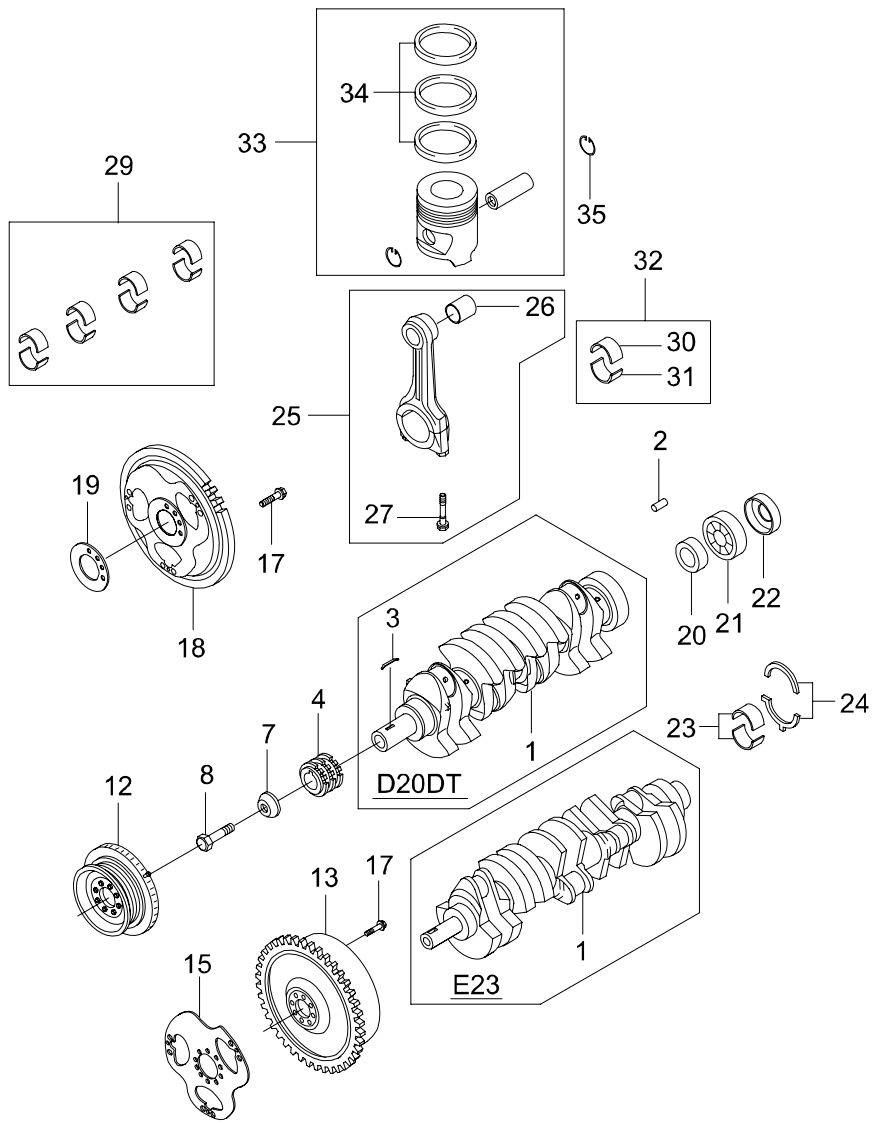


1125 - 01

1125 CYLINDER BLOCK(D20DT)

I T C	KEY NO. PART NO	PART NAME OPTION	L / R	T / M	D R V	MODEL										EFF. DATE		REMARK		
						D2	E2	0D	3										FROM	TO
	[22] 6651800243	NOZZLE ASSY-OIL INJECTION																06'0301		
	[27] 1610143133	COVER-DUST																06'0301		

1130 CRANKSHAFT & FLYWHEEL



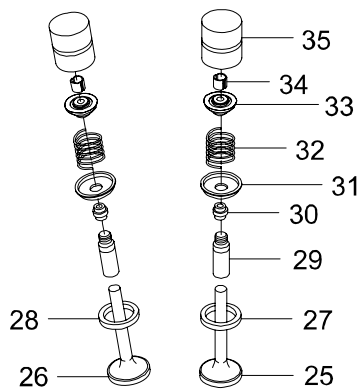
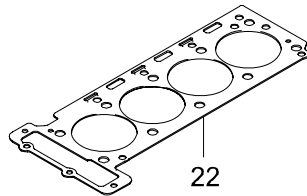
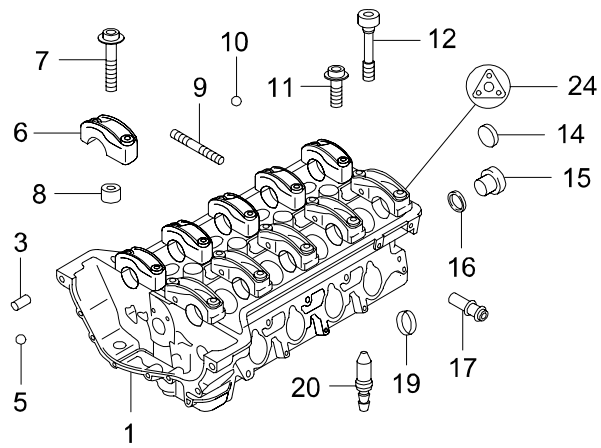
1130 CRANKSHAFT & FLYWHEEL

I T C	KEY NO. PART NO	PART NAME OPTION	L / R	T / M	D R V	MODEL										EFF. DATE		REMARK		
						D2	E2	0D	3										FROM	TO
N	[19] 1610323076	<i>PLATE</i>		A		1	2										06'0301			
	1610323176		A		1	1											07'0425			
	[20] 6610313151	<i>RING-CRANKSHAFT SPACER</i>		M		1											06'0301			
	[21] 6619803015	<i>BEARING-GROOVED BALL</i>		M		1	1										06'0301			
	[22] 1020310133	<i>RING-CRANKSHAFT COVER</i>		M		1	1										06'0301			
	[23] 664030004052	<i>BEARING SET-CRANKSHAFT</i>				5											06'0301		BLUE	
	601030054052					5											06'0715		BLUE	
	664030004054					5											06'0301		YELLOW	
	601030054054					5											06'0715		YELLOW	
	664030004056					5											06'0301		RED	
	601030054056					5											06'0715		RED	
	6640300140					5											06'0301		REPAIR SIZE I ; 61.75MM	
	6010300640					5											06'0715		REPAIR SIZE I ; 57.75MM	
	6640300240					5											06'0301		REPAIR SIZE II ; 61.50MM	
	6010300740					5											06'0715		REPAIR SIZE II ; 57.50MM	
	6640300340					5											06'0301		REPAIR SIZE III ; 61.25MM	
	6010300840					5											06'0715		REPAIR SIZE III ; 57.25MM	
	6640300440					5											06'0301		REPAIR SIZE IV ; 61.00MM	
	6010300940					5											06'0715		REPAIR SIZE IV ; 57.00MM	
	[24] 6640300162	<i>BEARING SET-THRUST</i>				2											06'0301		2.15MM	
	6010300062					2											06'0715		2.15MM	
	6640300262					2											06'0301		2.20MM	
	6010300162					2											06'0715		2.20MM	
	6640300362					2											06'0301		2.25MM	
	6010300262					2											06'0715		2.25MM	
	6640300462					2											06'0301		2.35MM	
	6010300362					2											06'0715		2.35MM	
	6640300562					2											06'0301		2.40MM	
	6010300462					2											06'0715		2.40MM	

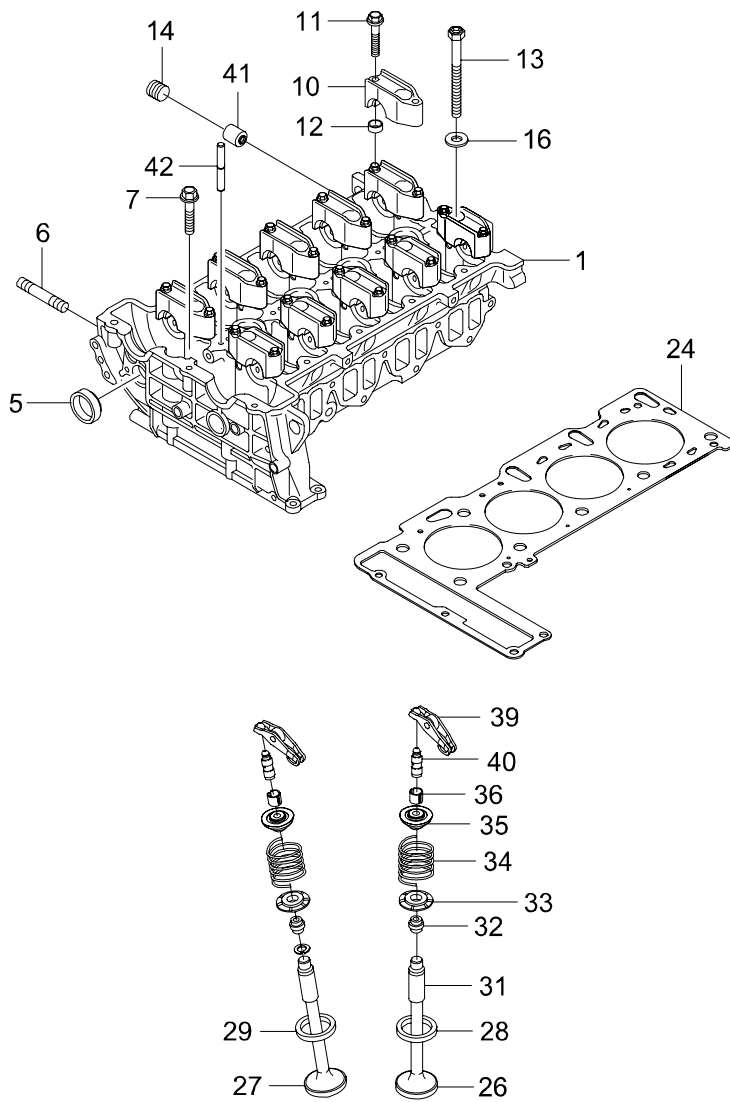
1130 CRANKSHAFT & FLYWHEEL

I T C	KEY NO. PART NO	PART NAME OPTION	L / R	T / M	D R V	MODEL										EFF. DATE		REMARK		
						D2	E2	0D	3										FROM	TO
	[35] 6659940035 1029940135	RING-SNAP						8										06'0301	06'0715	

1211 CYLINDER HEAD & GASKET KIT(GSL)



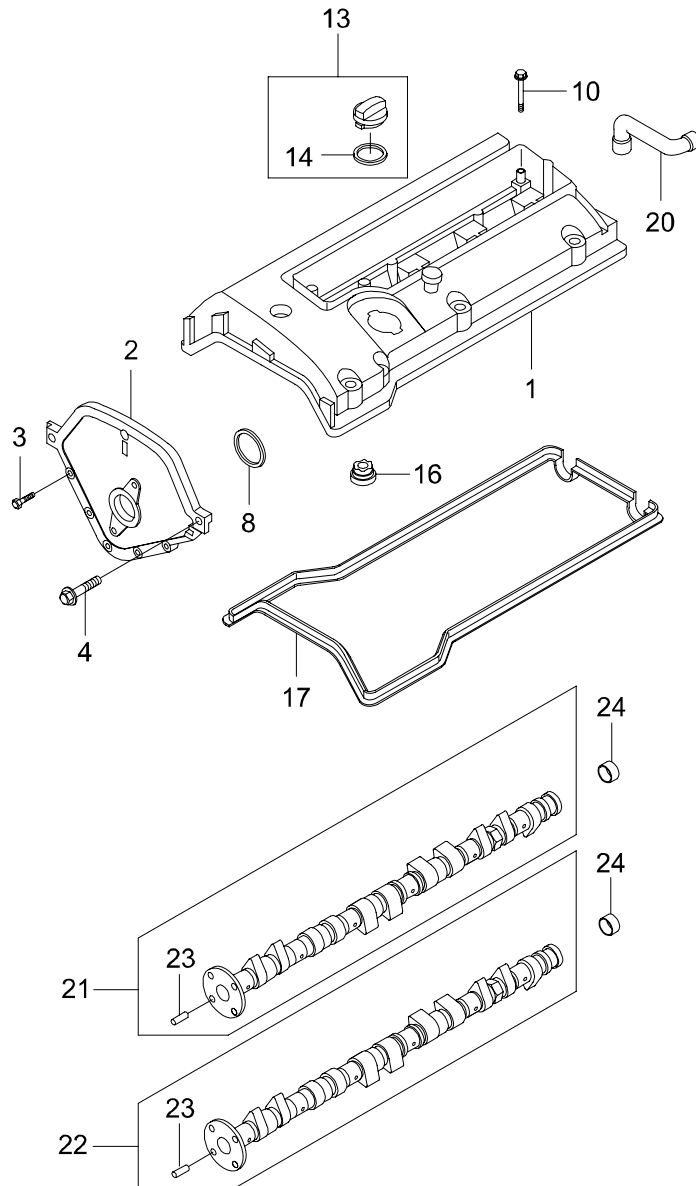
1212 CYLINDER HEAD & GASKET KIT(D20DT)



1212 CYLINDER HEAD & GASKET KIT(D20DT)

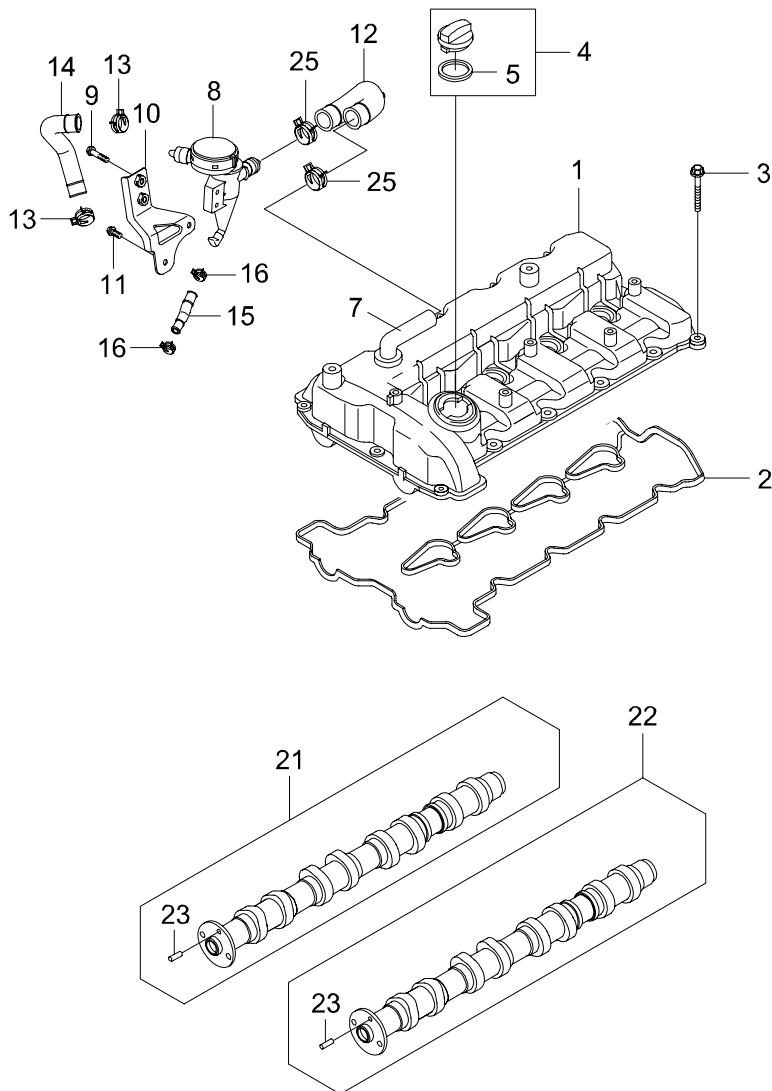
I T C	KEY NO. PART NO	PART NAME OPTION	L / R	T / M	D / V	MODEL										EFF. DATE		REMARK		
						D2	E2	0D	3										FROM	TO
Y	[26] 6650530101	VALVE-INTAKE																06'0301	07'0211	
	6650530201																		07'0212	
Y	[27] 6650500127	VALVE-EXHAUST																06'0301	07'0211	
	6650500227																		07'0212	
	[28] 6640530031	RING-INTAKE VALVE SEAT																06'0301		STD ; 31.5MM
	6650530131																		06'0301	
	[29] 6640530032	RING-EXHAUST VALVE SEAT																06'0301		STD ; 28.5MM
	6650530132																		06'0301	
	[31] 6640500004	GUIDE-VALVE																06'0301		STD ; 11MM
	6640500104																		06'0301	
	[32] 6650530158	SEAL-VALVE STEM																06'0301		
	[33] 6650530125	RETAINER-VALVE SPRING LWR																06'0301		
	[34] 6650530120	SPRING-VALVE																06'0301		
	[35] 6650530025	RETAINER-VALVE SPRING UPR																06'0301		
	[36] 6650530026	COTTER-VALVE																06'0301		
	[39] 6650500130	FOLLOWER ASSY-FINGER																06'0301		
	[40] 6650500025	ADJUSTER ASSY-HYDRAULIC LASH																06'0301		
	[41] 6651800132	VALVE ASSY-OIL RETURN CHECK																06'0301		

1221 CYLINDER HEAD COVER & CAMSHAFT(GSL)

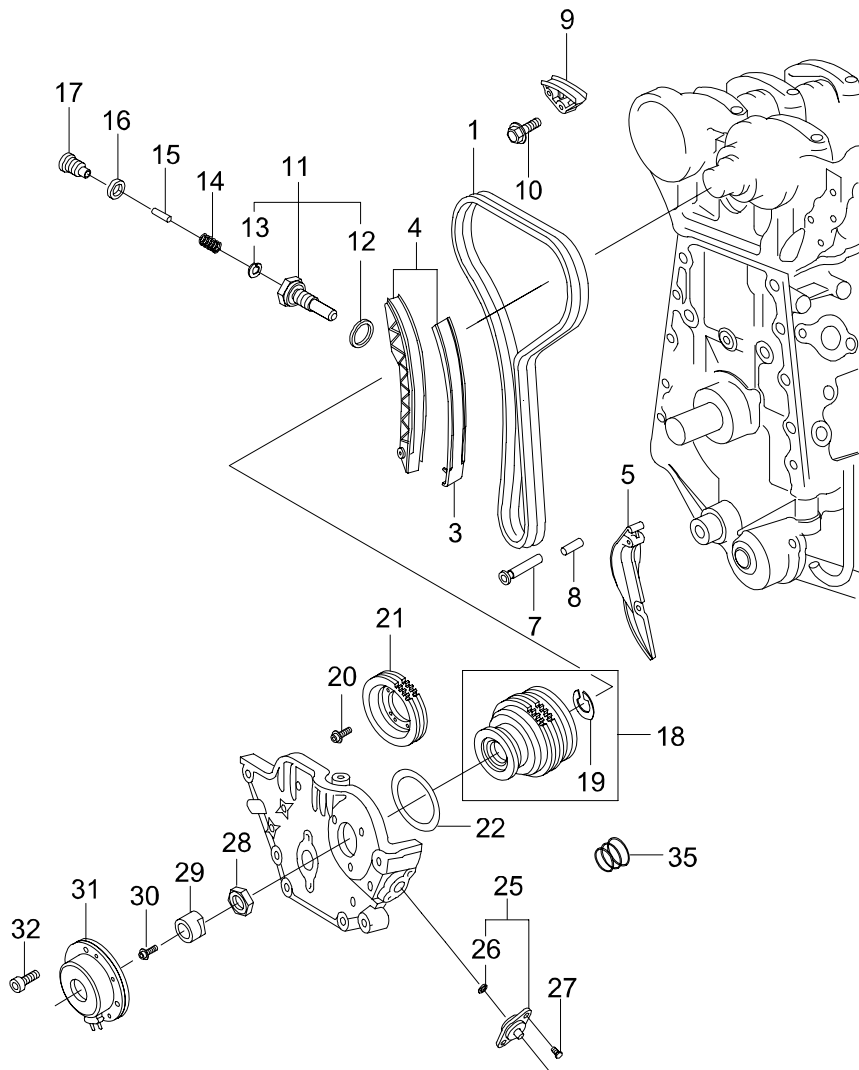


1221 - 01

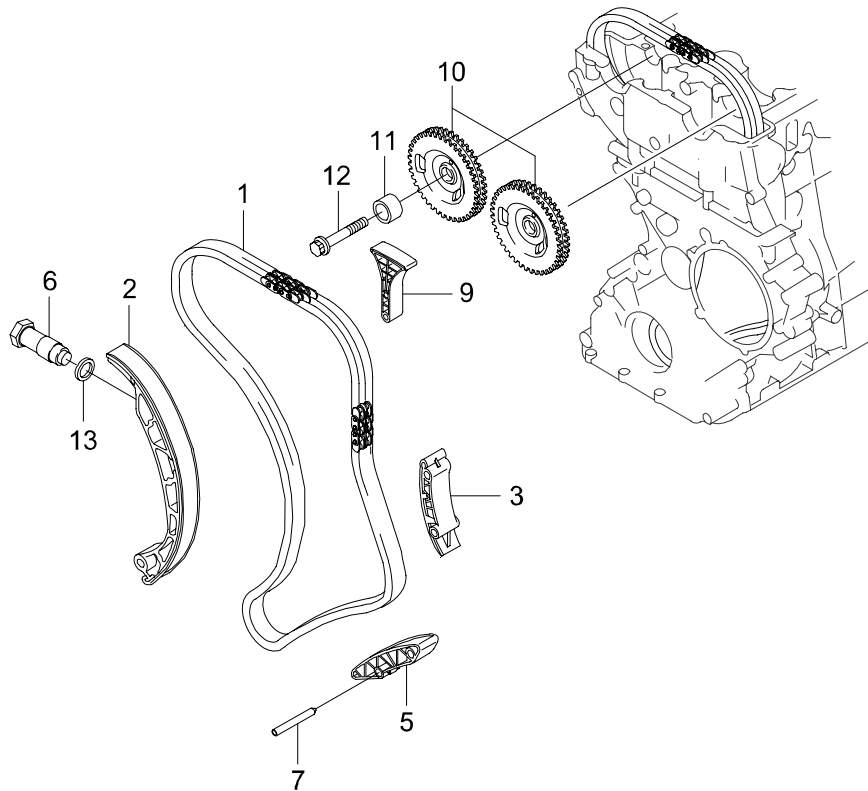
1222 CYLINDER HEAD COVER & CAMSHAFT(D20DT)



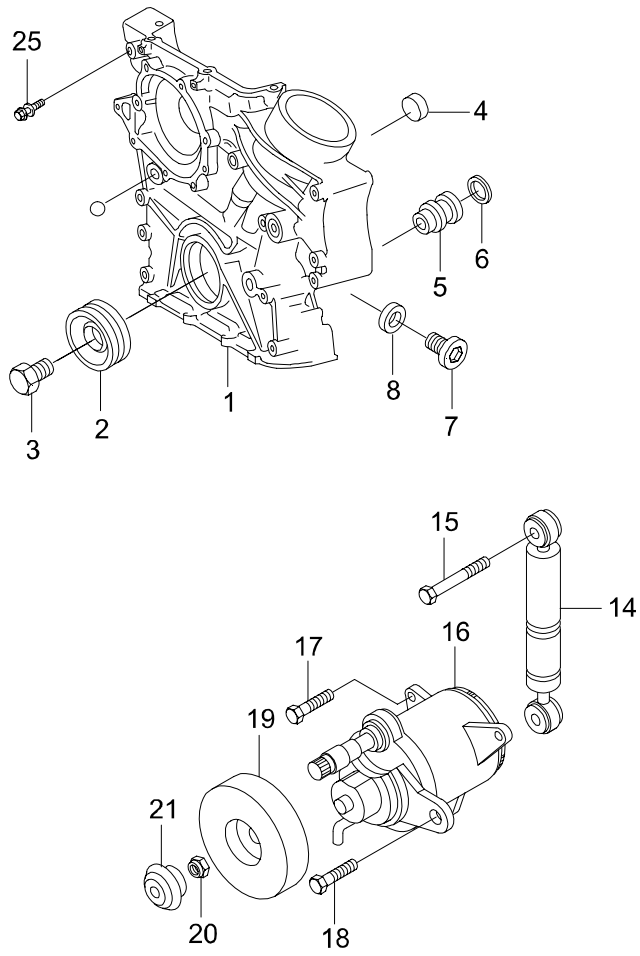
1311 CHAIN DRIVE(GSL)



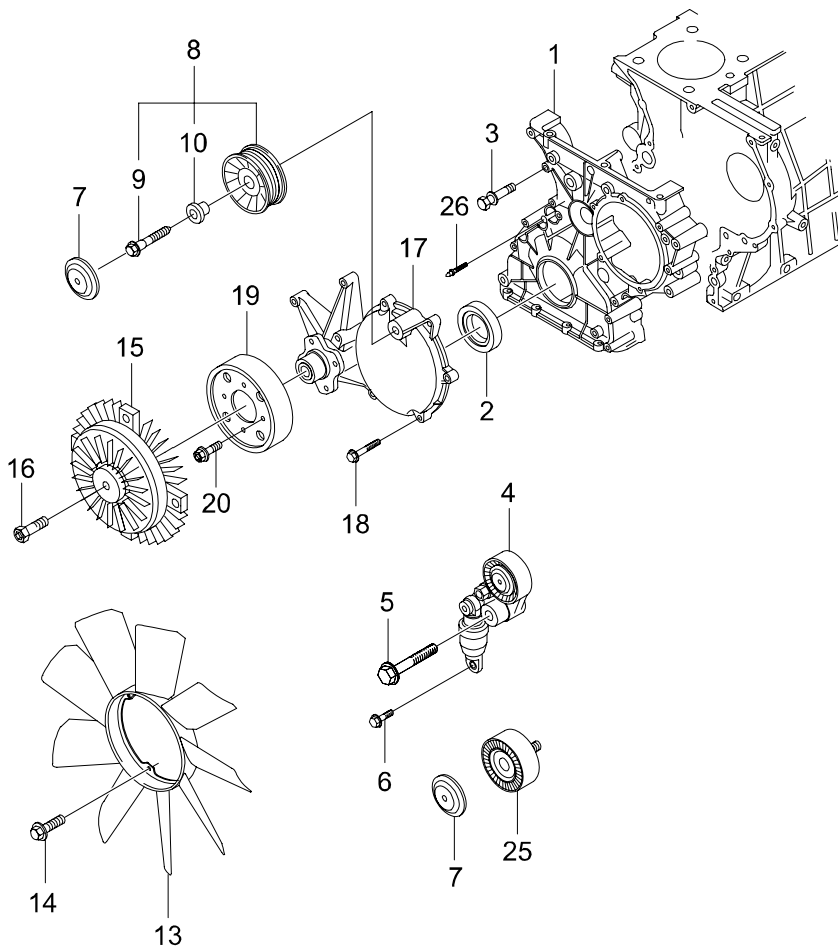
1312 CHAIN DRIVE(D20DT)



1331 TIMING CASE(E23)

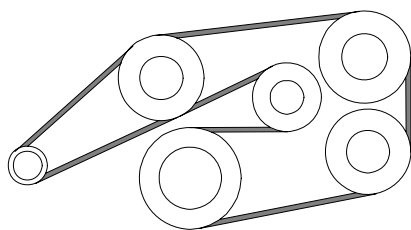


1333 TIMING CASE(D20DT)

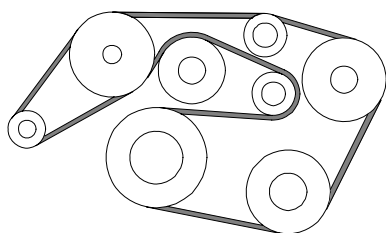


1350 BELT SYSTEM

E23

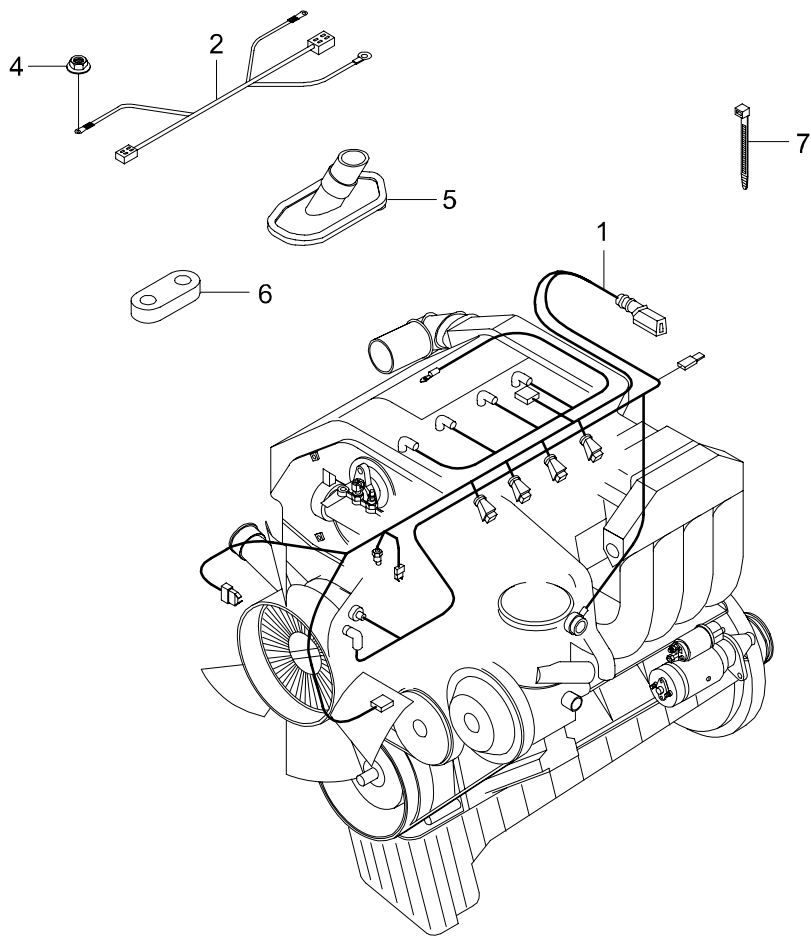


D20DT

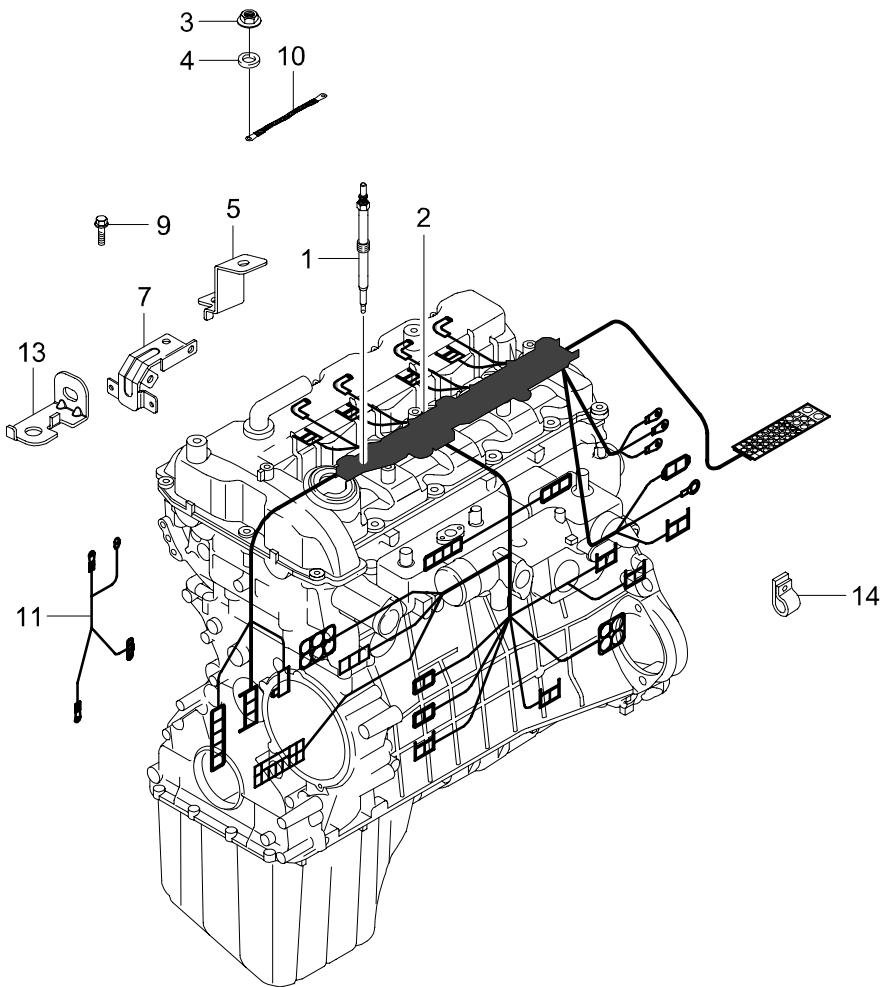


1

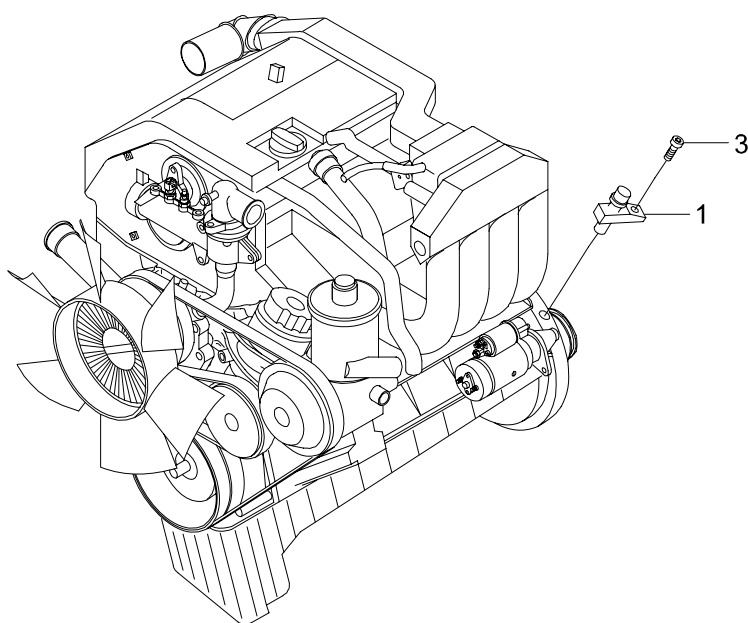
1411 ENGINE WIRING(GSL)



1412 ENGINE WIRING(D20DT)

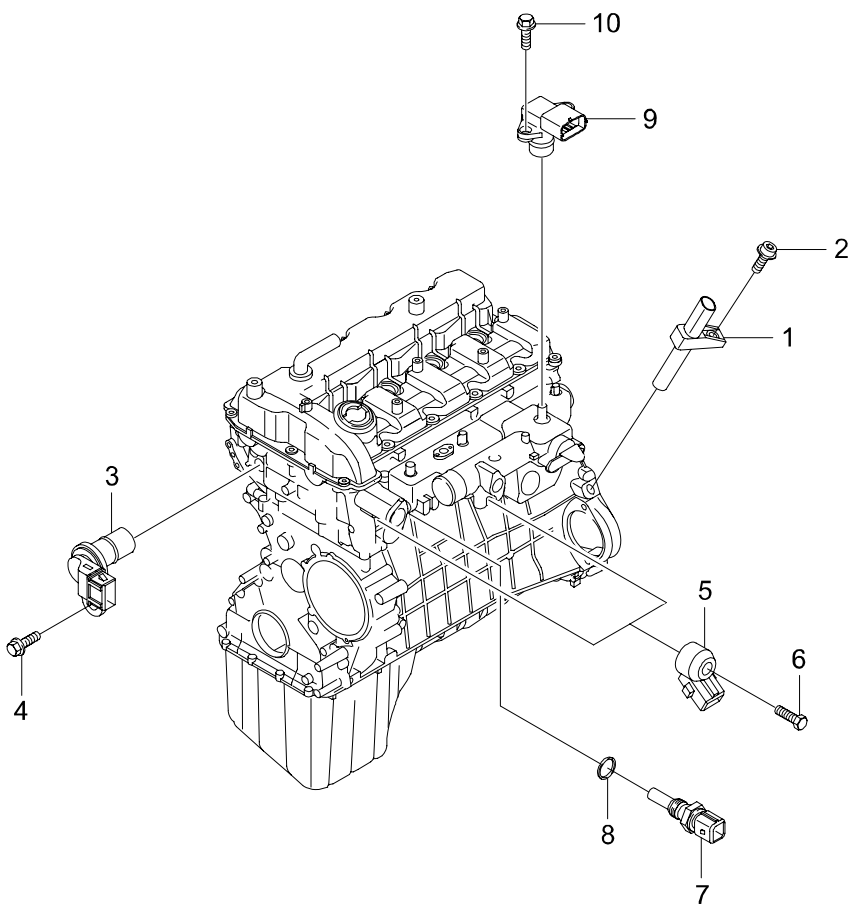


1430 SENSORS(GSL)

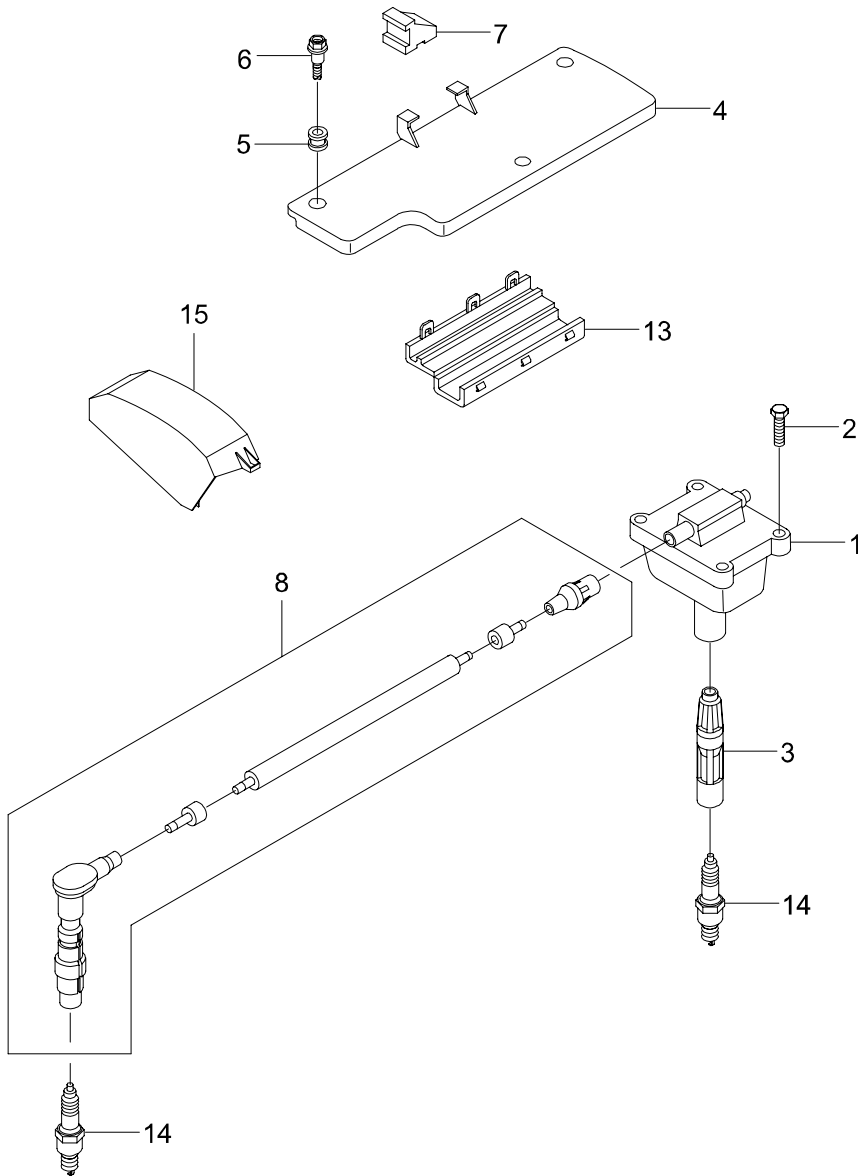


1430 - 01

1431 SENSORS(D20DT)

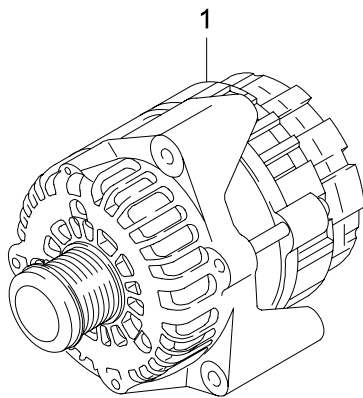


1440 IGNITION COIL(E23)



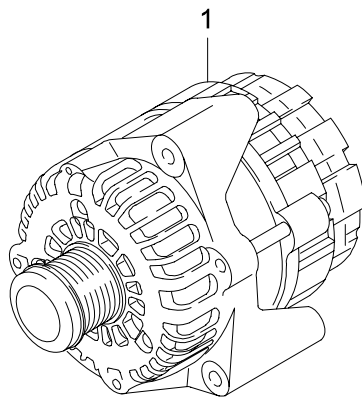
1440 - 01

1451 ALTERNATOR(DSL)



1451 - 01

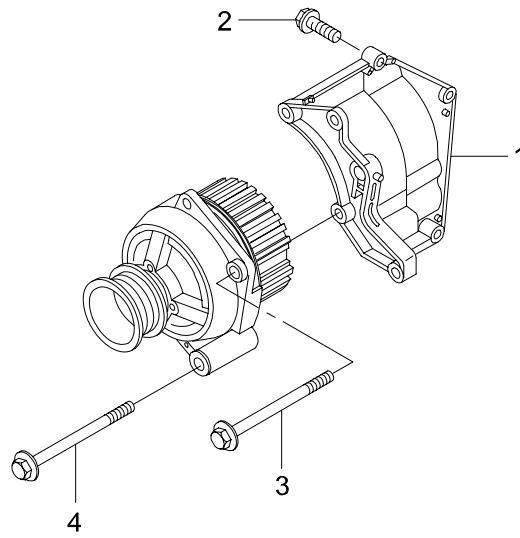
1452 ALTERNATOR(GSL)



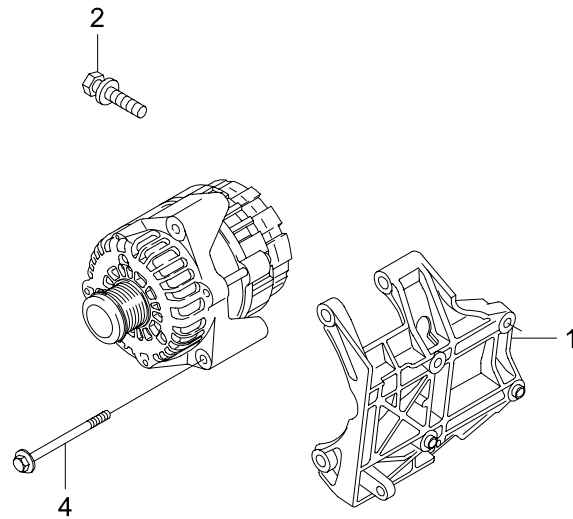
1452 - 01

1453 ALTERNATOR MOUNTING

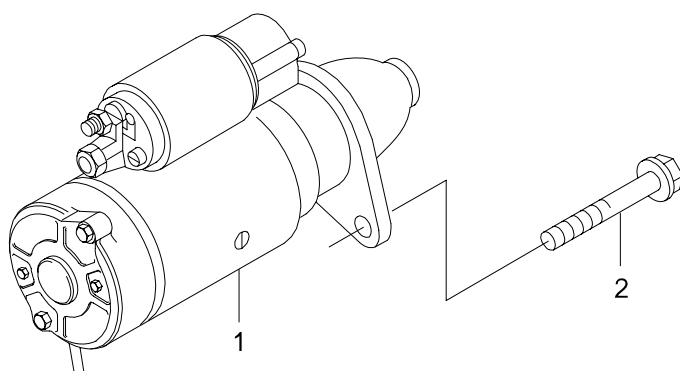
E23



D20DT

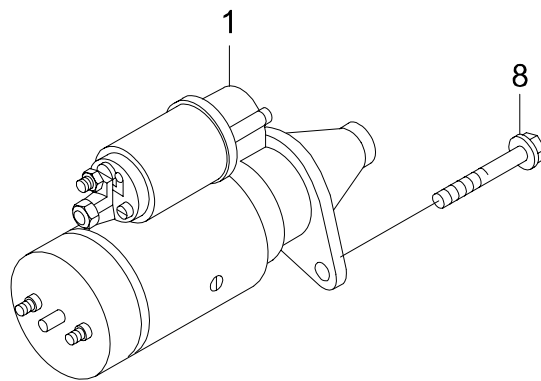


1461 STARTING MOTOR(DSL)



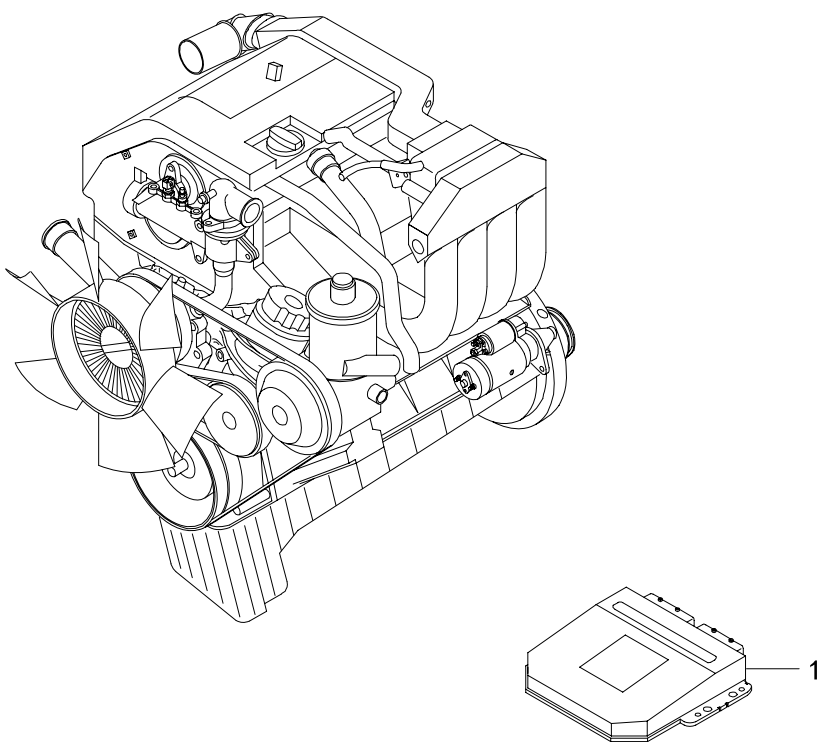
1461 - 01

1462 STARTING MOTOR(GSL)

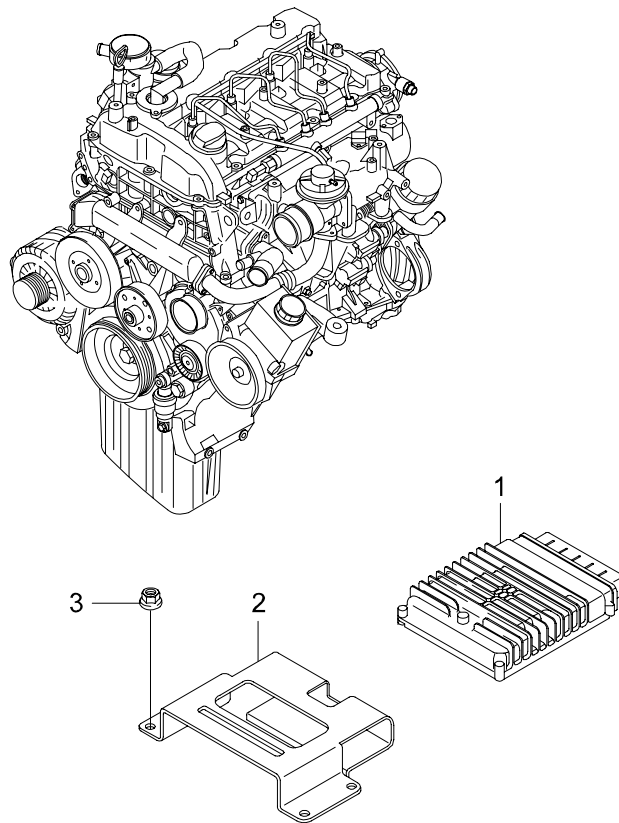


1462 - 01

1490 EMISSION MODULE(GSL)

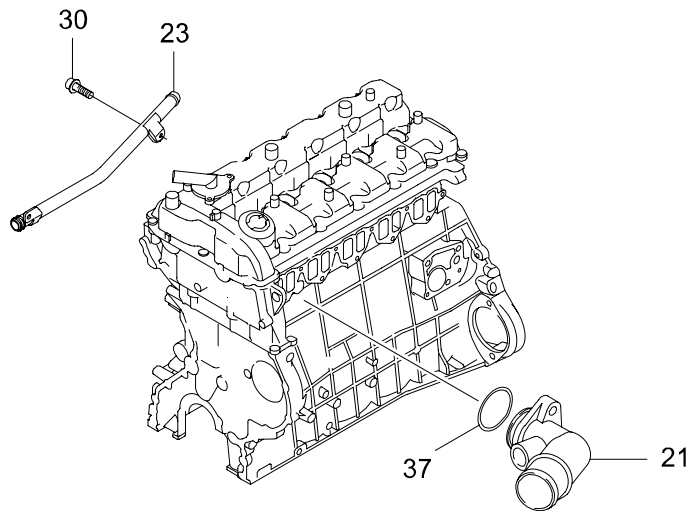
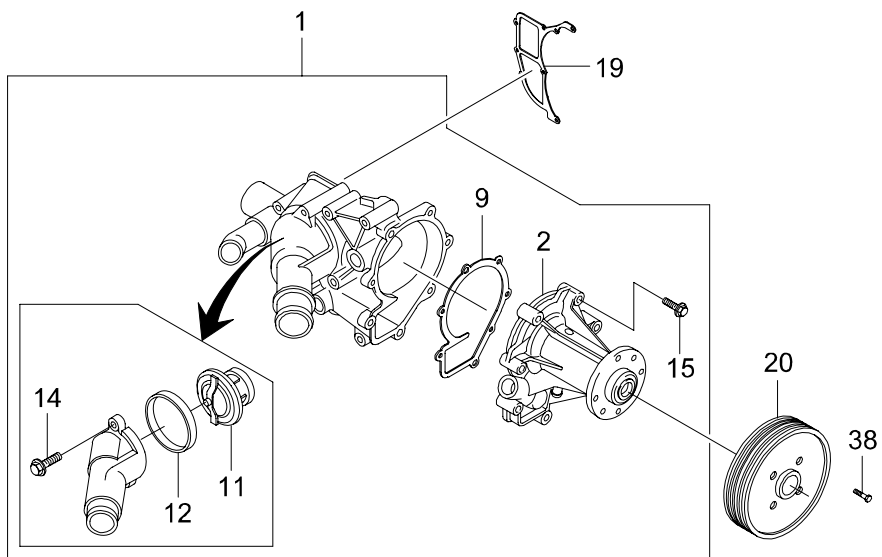


1491 EMISSION MODULE(D20DT)

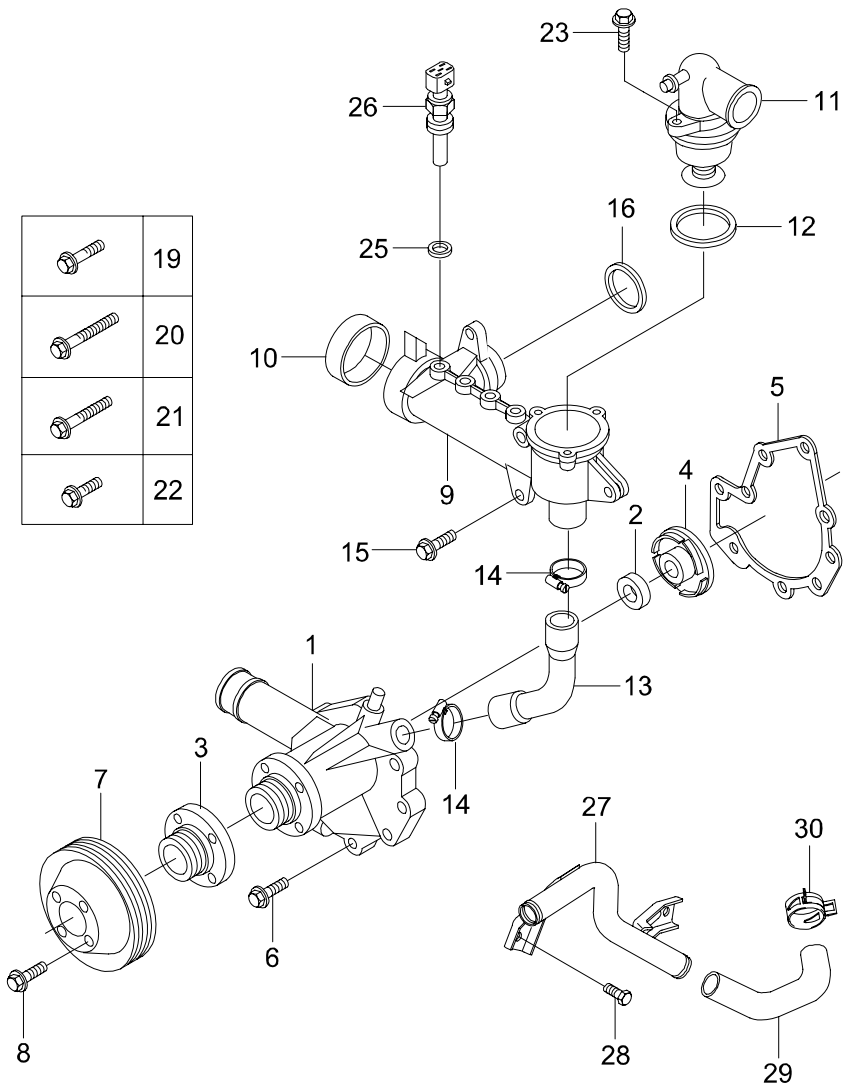


1491 - 01

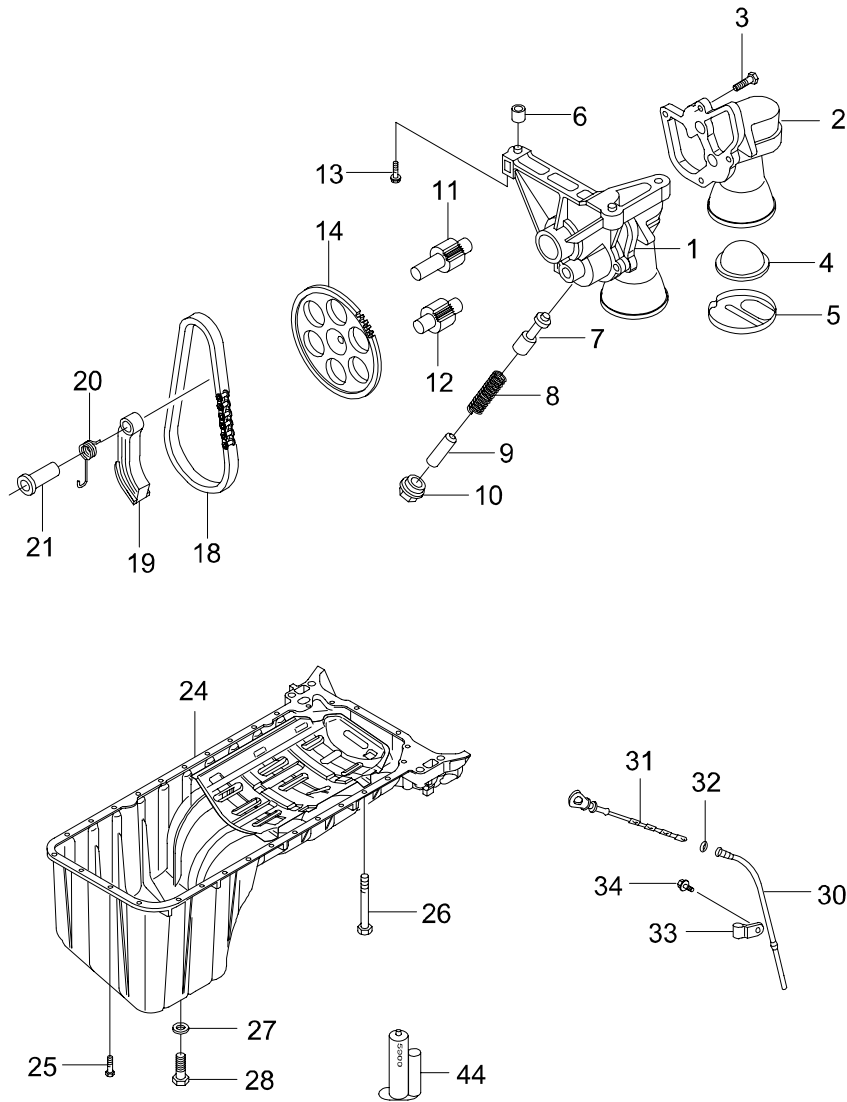
1520 COOLING SYSTEM(DSL)



1521 COOLING SYSTEM(E23)



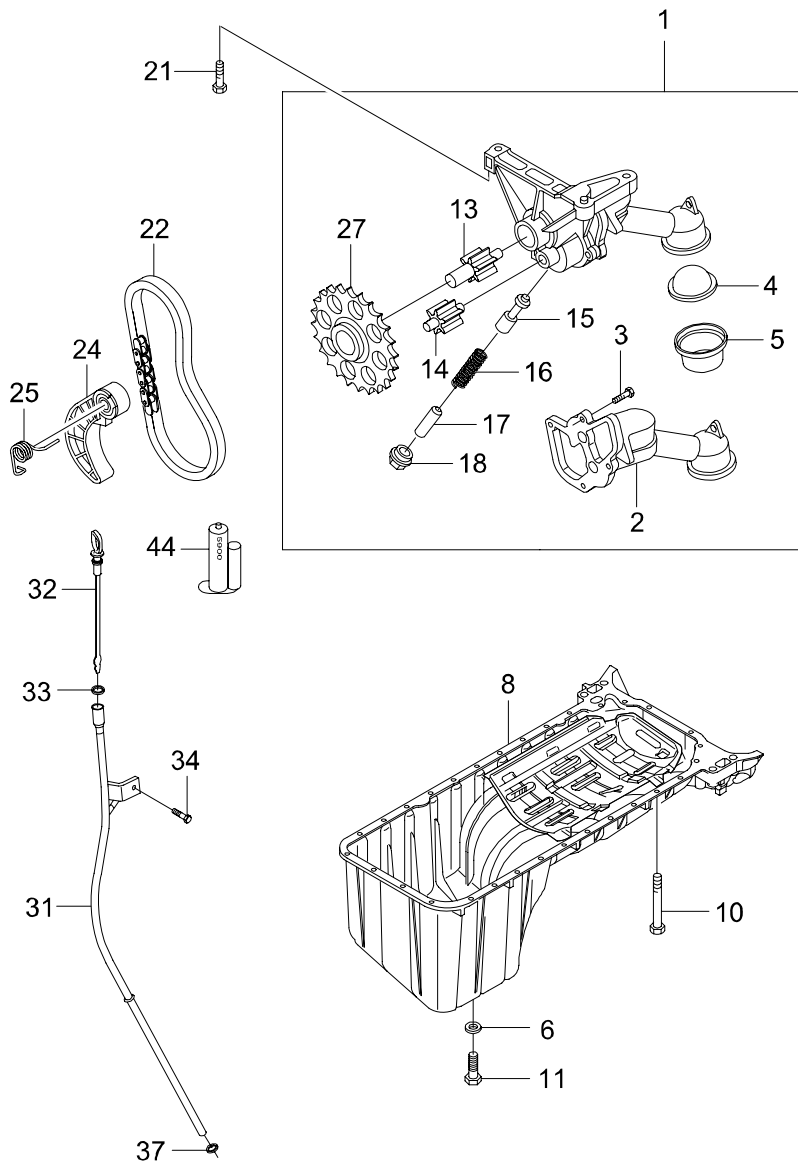
1531 OIL PAN & PUMP(E23)



1531 OIL PAN & PUMP(E23)

I T C	KEY NO. PART NO	PART NAME OPTION	L / R	T / M	D R V	MODEL										EFF. DATE		REMARK		
						D2	E2	OD	3										FROM	TO
Y	[01] 1611804901	PUMP ASSY-OIL																06'0715	06'1213	
	1611805001																	06'1214		
	[02] 6641810220	COVER-OIL PUMP																06'0715		
	[03] 914005006008	BOLT																06'0715		M6X22
	[04] 6011800155	SCREEN ASSY-OIL PUMP																06'0715		
	[05] 6651860201	BASKET																06'0715		
	[06] 6019920425	PIN-SPRING																06'0715		
	[07] 6611813142	PISTON-OIL PUMP RELIEF VALVE																06'0715		
	[08] 6039930201	SPRING																06'0715		
	[09] 6011810174	PIN-OIL PUMP RELIEF VALVE																06'0715		
	[10] 6031810056	PLUG-OIL PUMP RELIEF VALVE																06'0715		
	[11] 1111800207	SHAFT ASSY-OIL PUMP DRIVE																06'0715		
	[12] 1111800008	SHAFT ASSY-OIL PUMP DRIVEN																06'0715		
	[13] 914020008009	BOLT																06'0715		M8X35
[14] 1611813012	SPROCKET-OIL PUMP																06'0715			

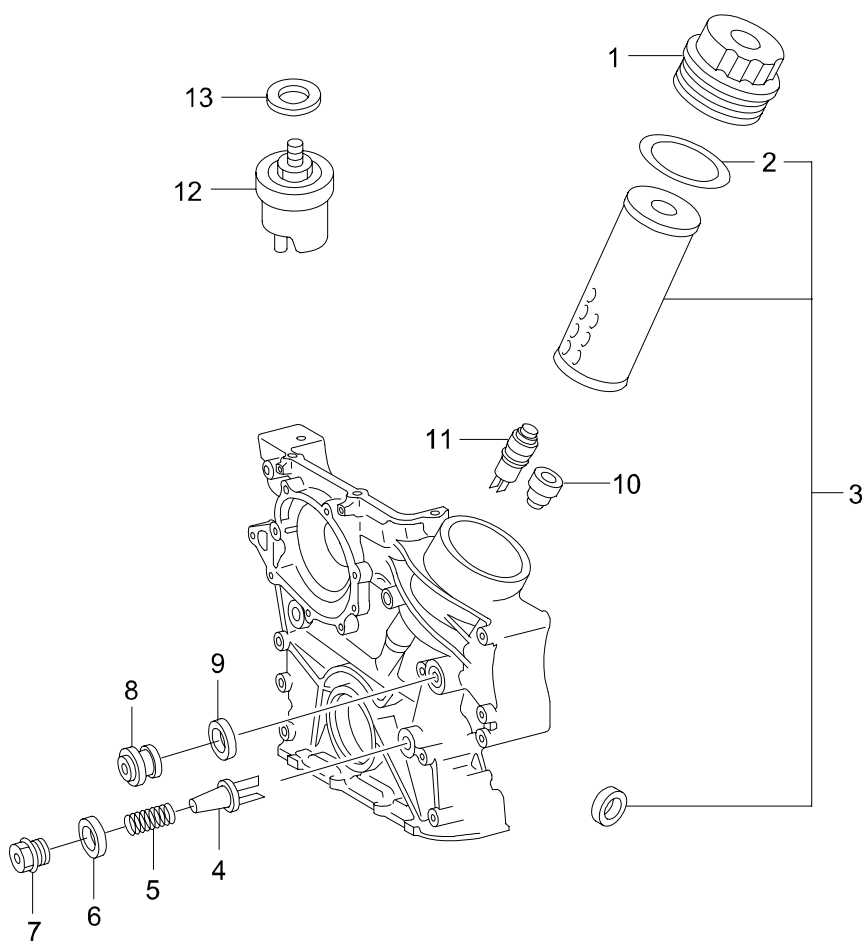
1533 OIL PAN & PUMP(D20DT)



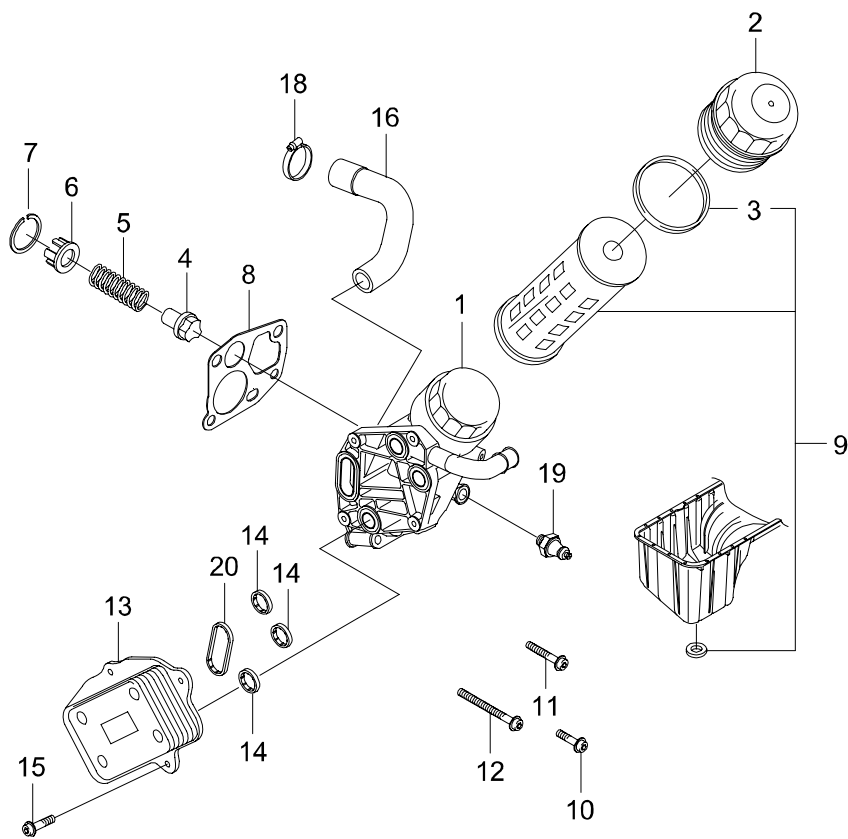
1533 OIL PAN & PUMP(D20DT)

I T C	KEY NO. PART NO	PART NAME OPTION	L / R	T / M	D R V	MODEL										EFF. DATE		REMARK		
						D2 0D	E2 3												FROM	TO
	[16] 6039930201	SPRING-OIL PUMP RELIEF VALVE																06'0301		
	[17] 6011810174	PIN-OIL PUMP RELIEF VALVE																06'0301		
	[18] 6031810056	PLUG-OIL PUMP RELIEF VALVE																06'0301		
	[21] 914020008009	BOLT																06'0301		M8X35
	[22] 6659970194	CHAIN-OIL PUMP																06'0301		
	[24] 6641810159	TENSIONER-OIL PUMP																06'0301		
	[25] 6649930120	SPRING-OIL PUMP																06'0301		
	[27] 6651810012	SPROCKET-OIL PUMP																06'0301		
	[31] 6640100466	TUBE ASSY-OIL DIPSTICK																06'0301	06'1128	
Y	6640100566																	06'1129		
	[32] 6640100772	GAUGE ASSY-OIL DIPSTICK																06'0301		
	[33] 6619973045	RING-O																06'0301		
	[34] 914007006007	BOLT																06'0301		M6X16
	[37] 0179971648	RING-O																06'0301		
	[44] 66598950A0	SEALANT																06'0301		50\$e

1541 OIL FILTER(E23)



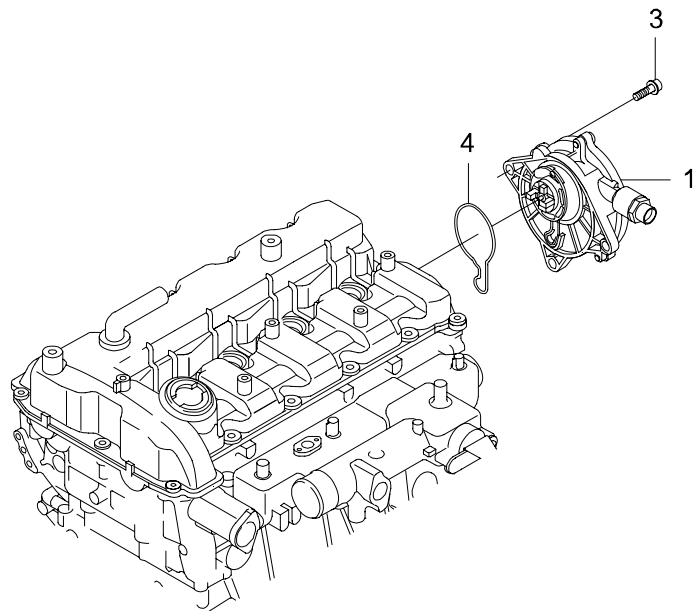
1543 OIL FILTER(D20DT)



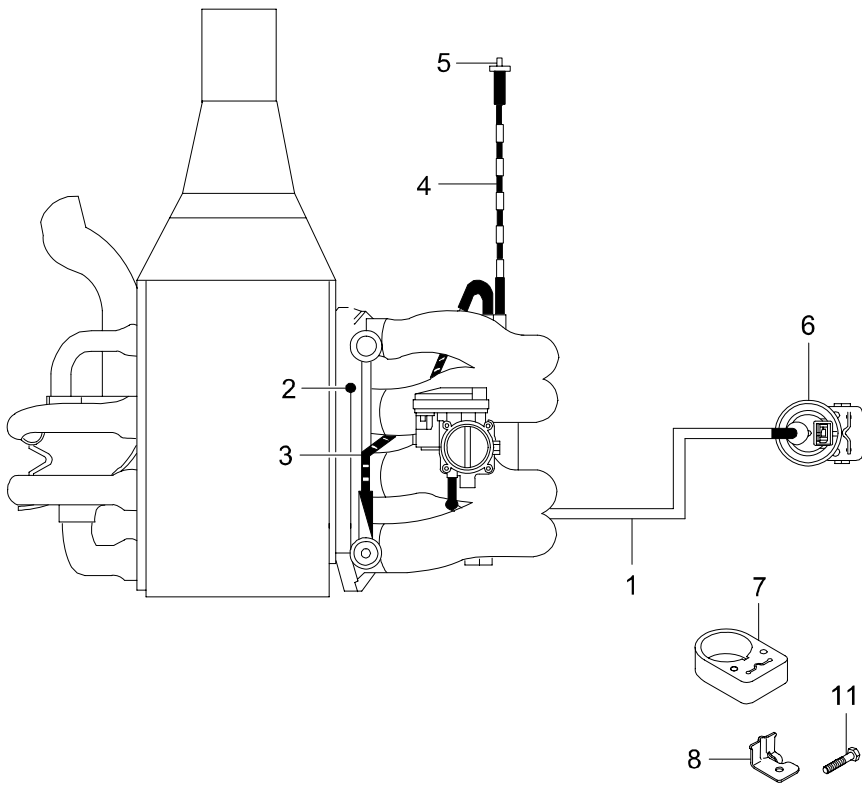
1543 OIL FILTER(D20DT)

I T C	KEY NO. PART NO	PART NAME OPTION	L / R	T / M	D / V	MODEL										EFF. DATE		REMARK		
						D2	E2	OD	3										FROM	TO
	[01] 6641800110	<i>FILTER ASSY-OIL</i>																06'0301		
	[02] 1621843208	<i>COVER-OIL FILTER</i>																06'0301		
	[03] 0179973148	<i>RING-O</i>																06'0301		
	[04] 6011840132	<i>VALVE-OIL FILTER BYPASS</i>																06'0301		
	[05] 1029930701	<i>SPRING-OIL FILTER BYPASS</i>																06'0301		
	[06] 1021840031	<i>RETAINER</i>																06'0301	06'1206	
Y	6641840031																	06'1207		
	[07] 6619943135	<i>RING-SNAP</i>																06'0301		
	[08] 6011840780	<i>GASKET-OIL FILTER HOUSING</i>																06'0301		
	[09] 1621803009	<i>ELEMENT KIT-OIL FILTER</i>																06'0301		
	[10] 914020008009	<i>BOLT</i>																06'0301		M8X35
	[11] 914020008011	<i>BOLT</i>																06'0301		M8X55
	[12] 914034008015	<i>BOLT</i>																06'0301		M8X125
	[13] 6641800265	<i>COOLER ASSY-OIL</i>																06'0301		
	[14] 6659970545	<i>GASKET-OIL COOLER</i>																06'0301		

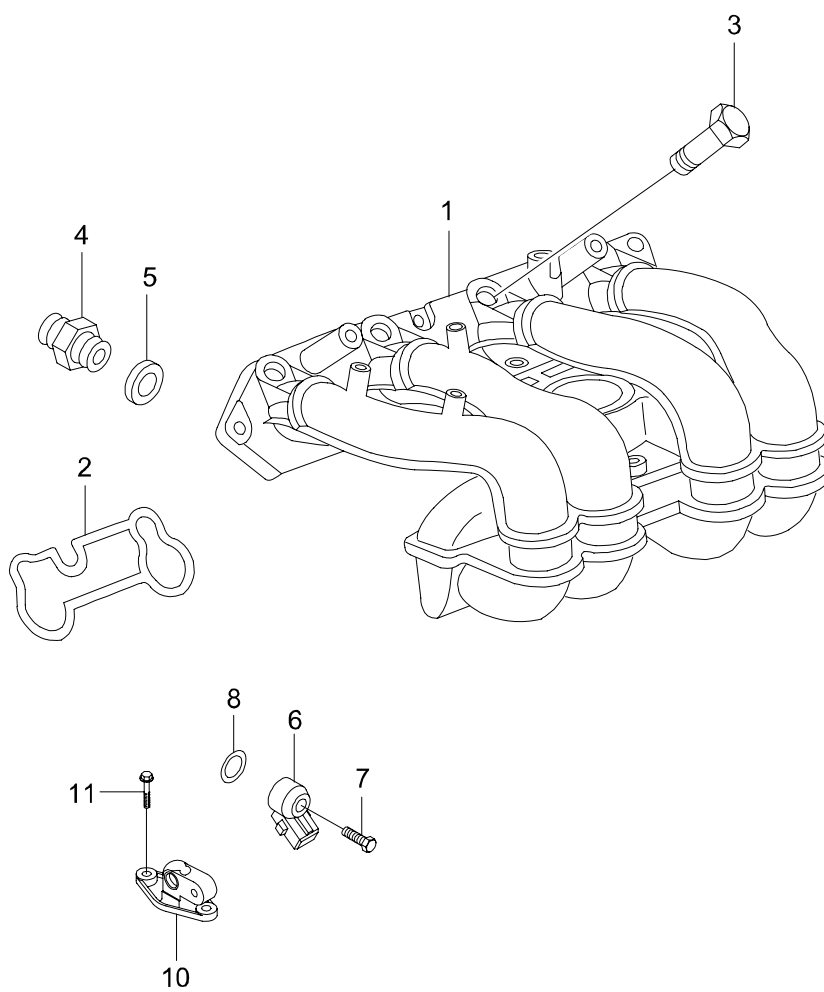
1610 VACUUM PUMP(DSL)



1623 VACUUM SYSTEM(E23)

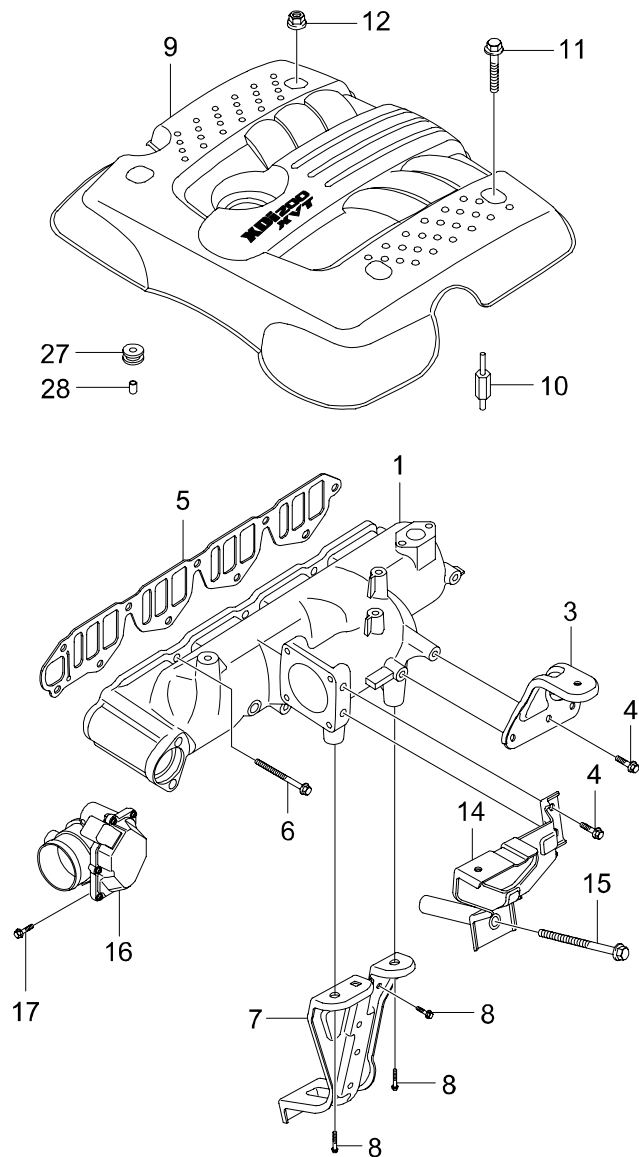


1712 INTAKE MANIFOLD(E23)



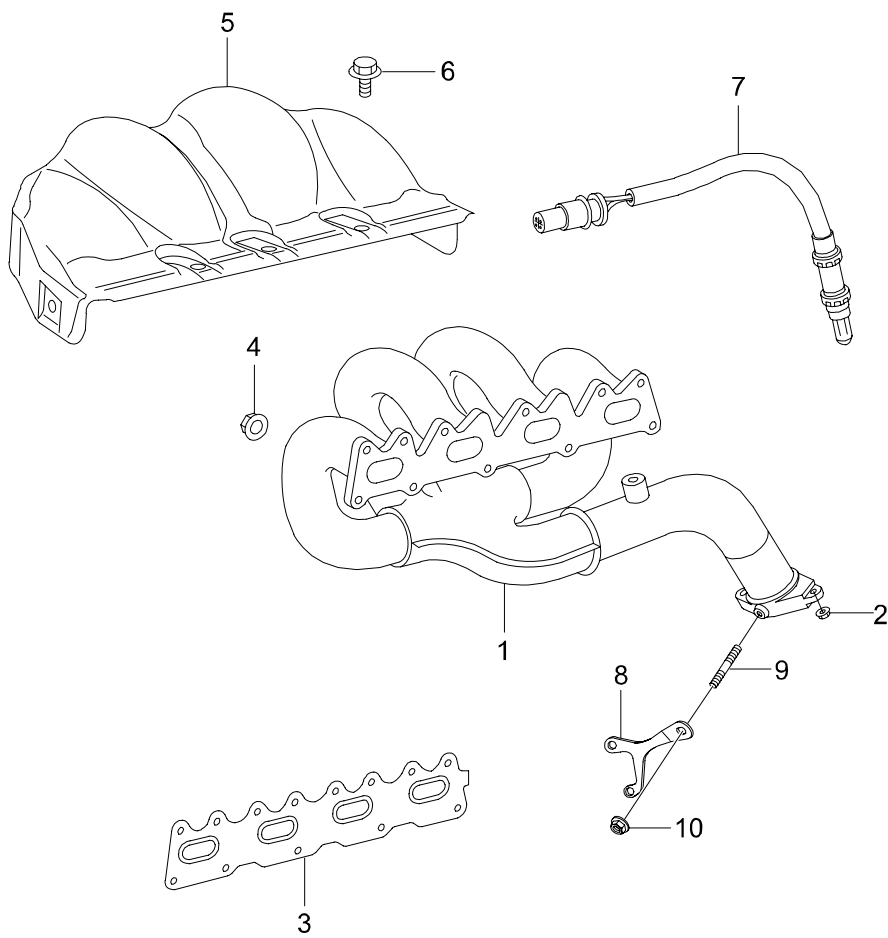
1712 - 01

1714 INTAKE MANIFOLD(D20DT)



1714 - 01

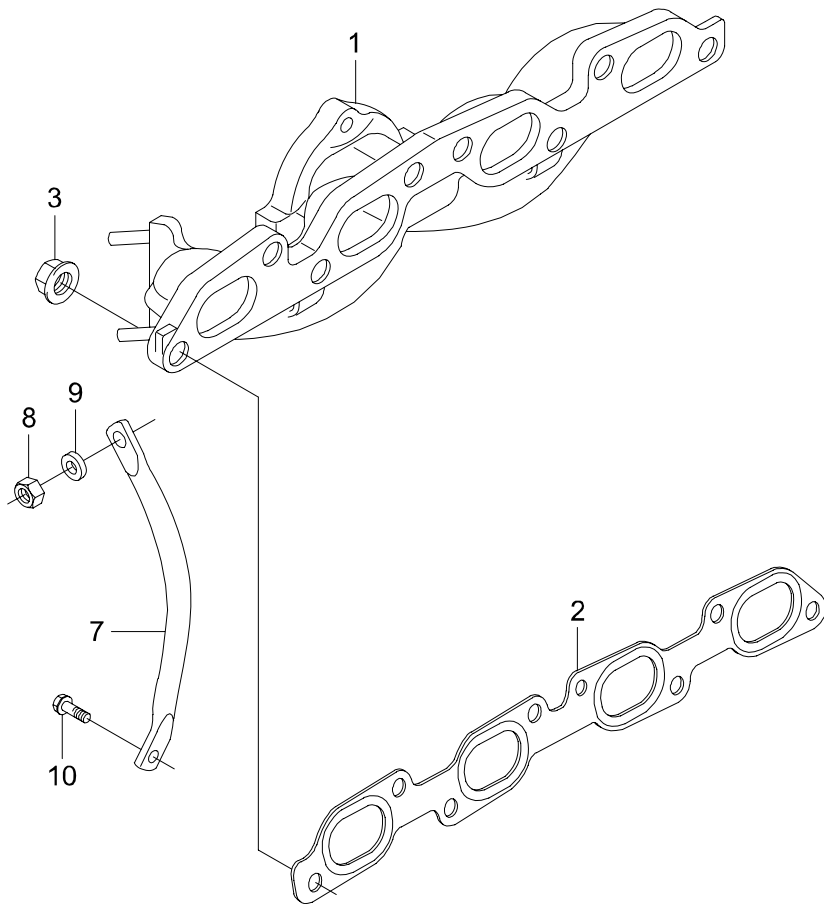
1722 EXHAUST MANIFOLD(E23)



1722 EXHAUST MANIFOLD(E23)

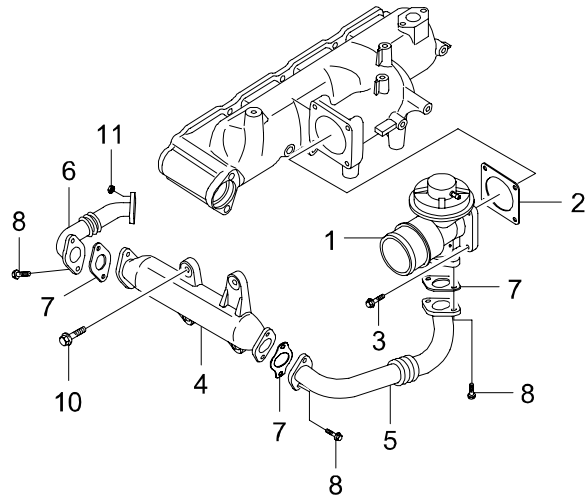
I T C	KEY NO. PART NO	PART NAME OPTION	L / R	T / M	D R V	MODEL										EFF. DATE		REMARK		
						D2	E2	OD	3										FROM	TO
	[01] 1111403909	MANIFOLD ASSY-EXHAUST																06'0715		
	[02] 0009902552	NUT																06'0715		
	[03] 1611423080	GASKET-EXHAUST MANIFOLD																06'0715		
	[04] 1201420072	NUT																06'0715		M8
	[05] 1111401834	PROTECTOR ASSY-HEAT																06'0715	06'0927	
Y	1111402134																	06'0928		
	[06] 1119902204	BOLT																06'0715		
	[07] 1615404217	SENSOR ASSY-O2																06'0715		SENSOR NO.1
	1615404317																	06'0715		SENSOR NO.2
	[08] 1111420240	BRKT-EXHAUST MANIFOLD AT																06'0715		
	[09] 0019904605	BOLT																06'0715		M10
	[10] 0009903150	NUT																06'0715	06'1015	M10
Y	000990315001																	06'1016		M10

1724 EXHAUST MANIFOLD(D20DT)

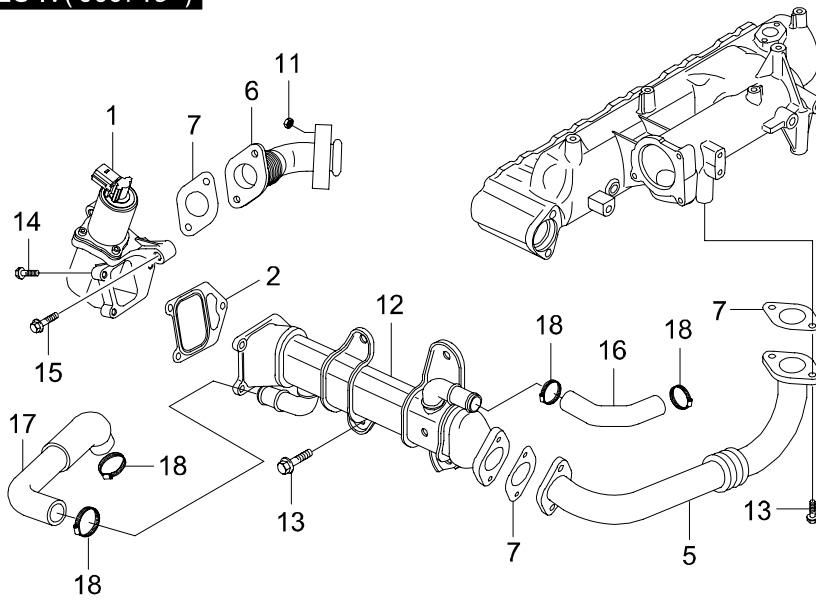


1724 - 01

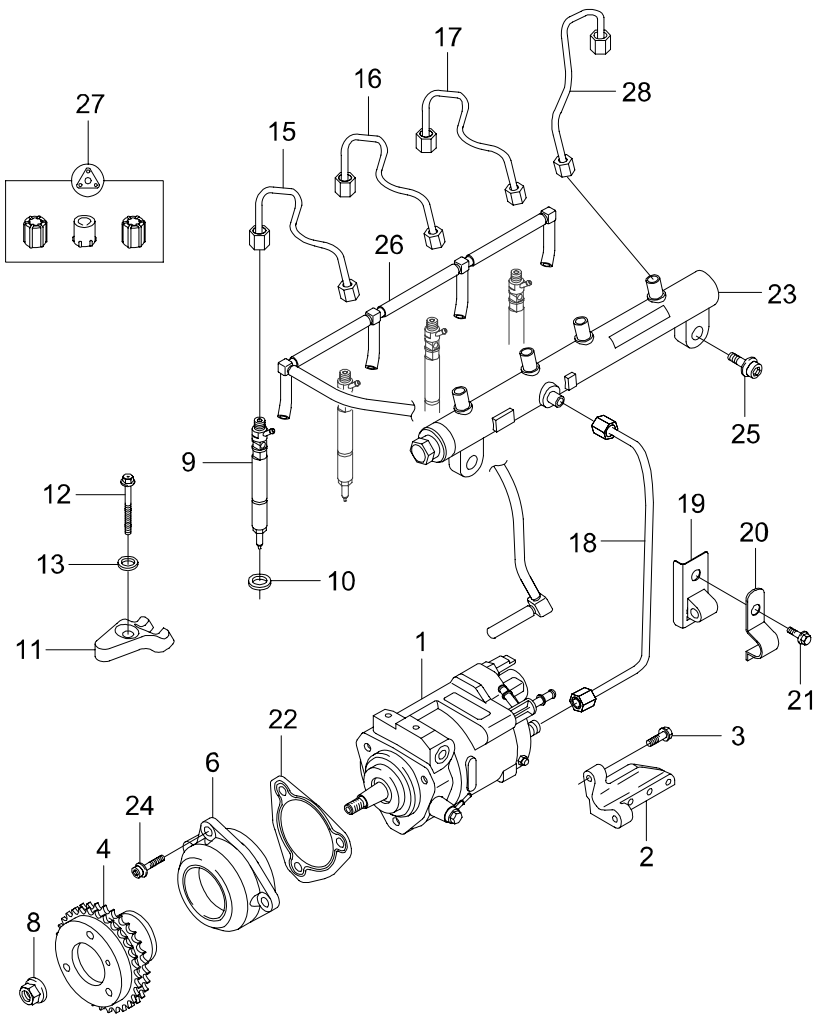
1791 E.G.R VALVE(D20DT)



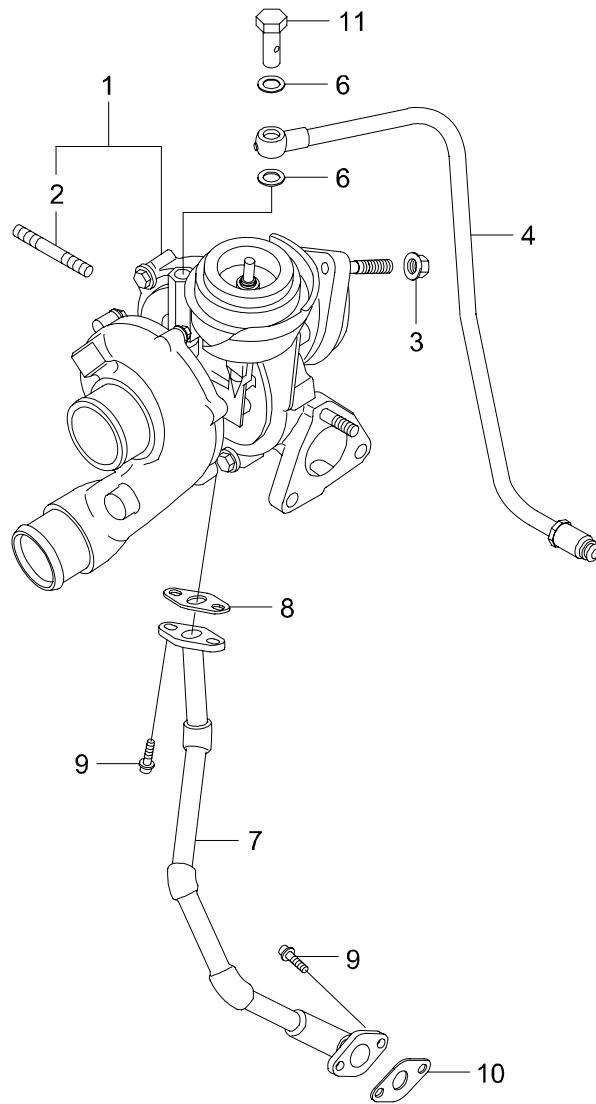
EU IV('060715~)



1880 COMMON RAIL SYSTEM(D20DT)

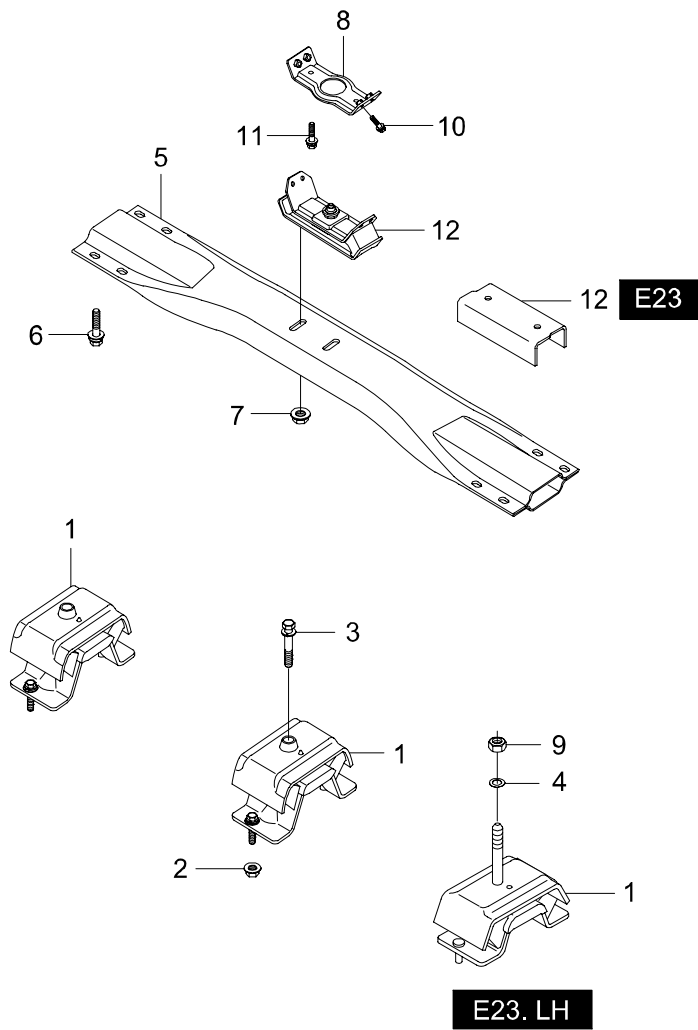


1912 TURBOCHARGER(D20DT)

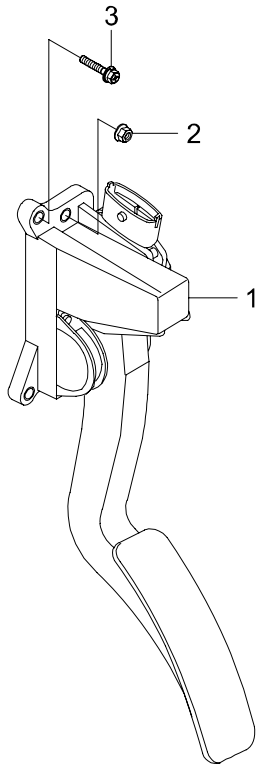


1912 - 01

1990 ENGINE MOUNTING

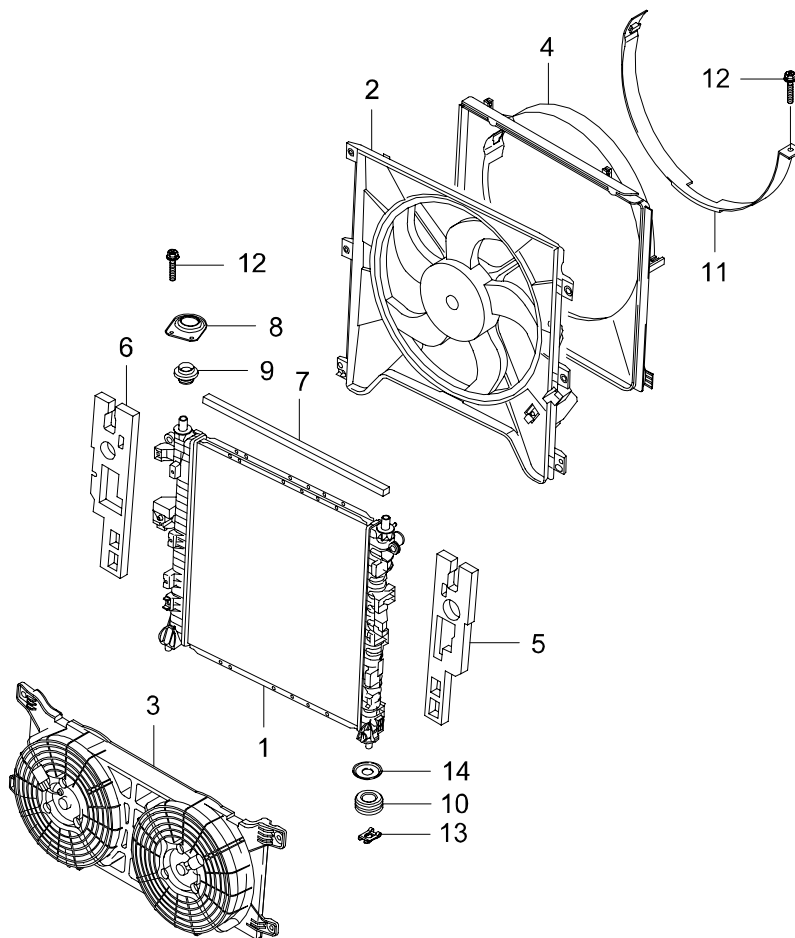


2010 ACCELERATOR CONTROL



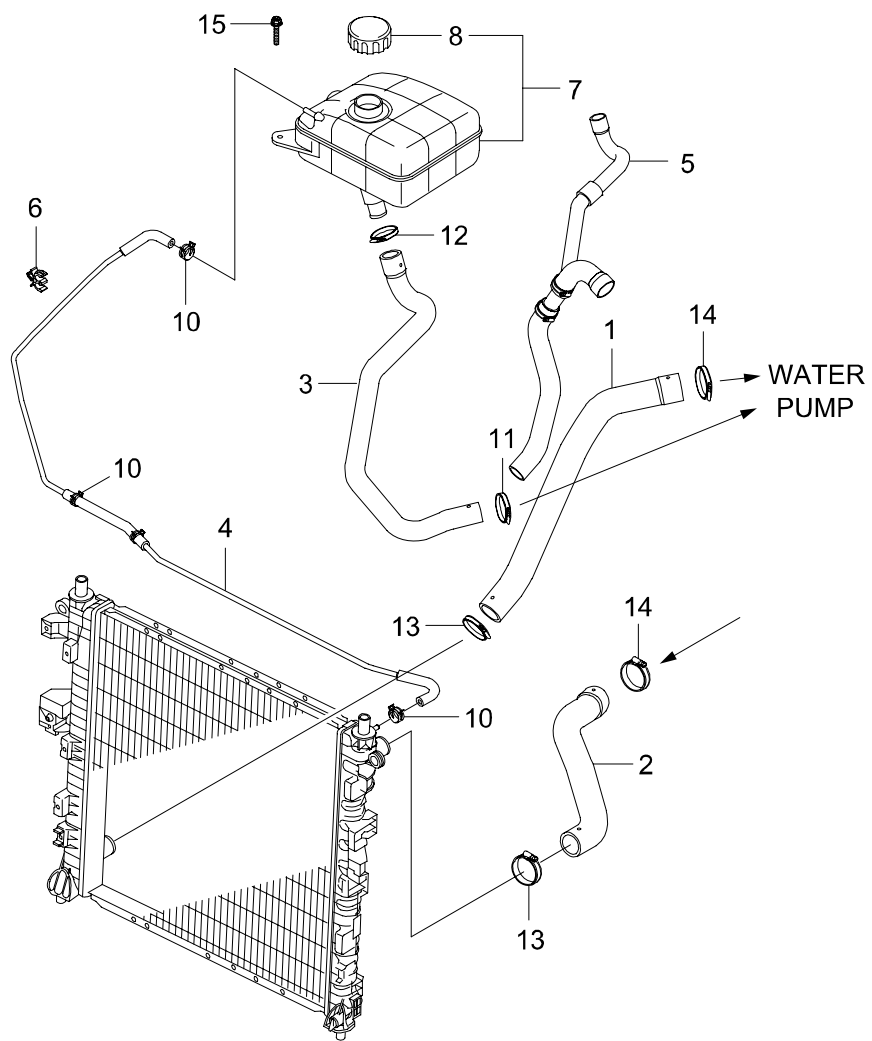
2010 - 01

2112 RADIATOR & COOLING FAN

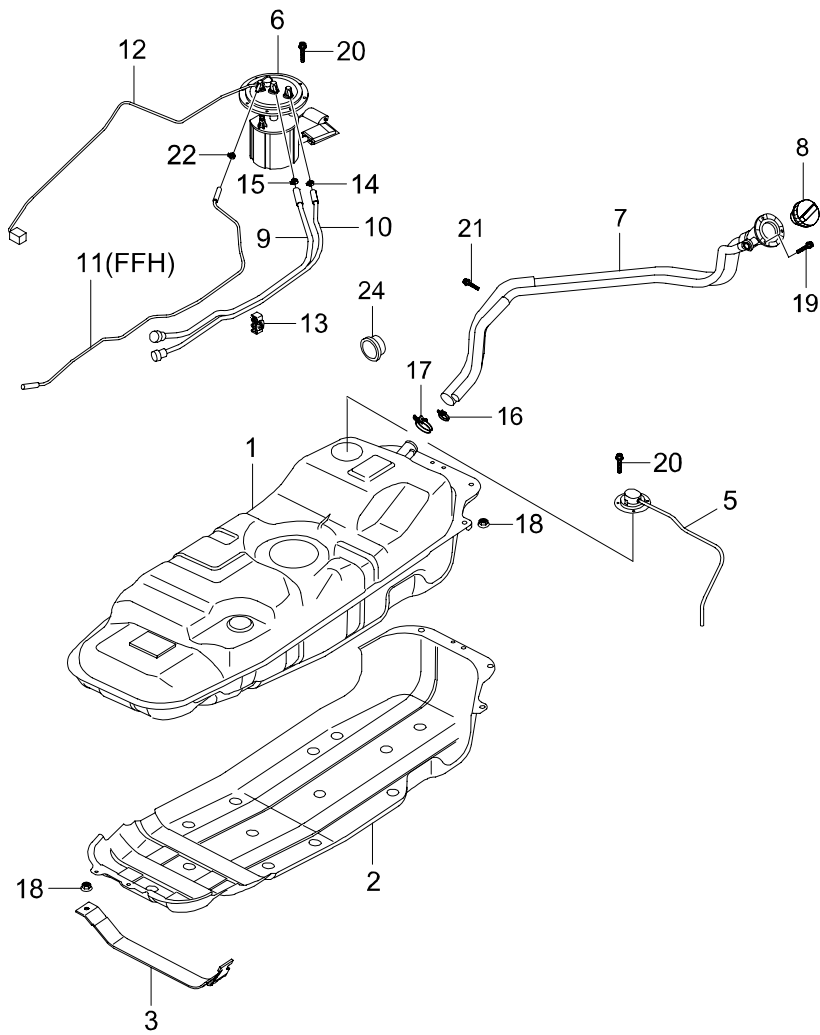


2112 - 01

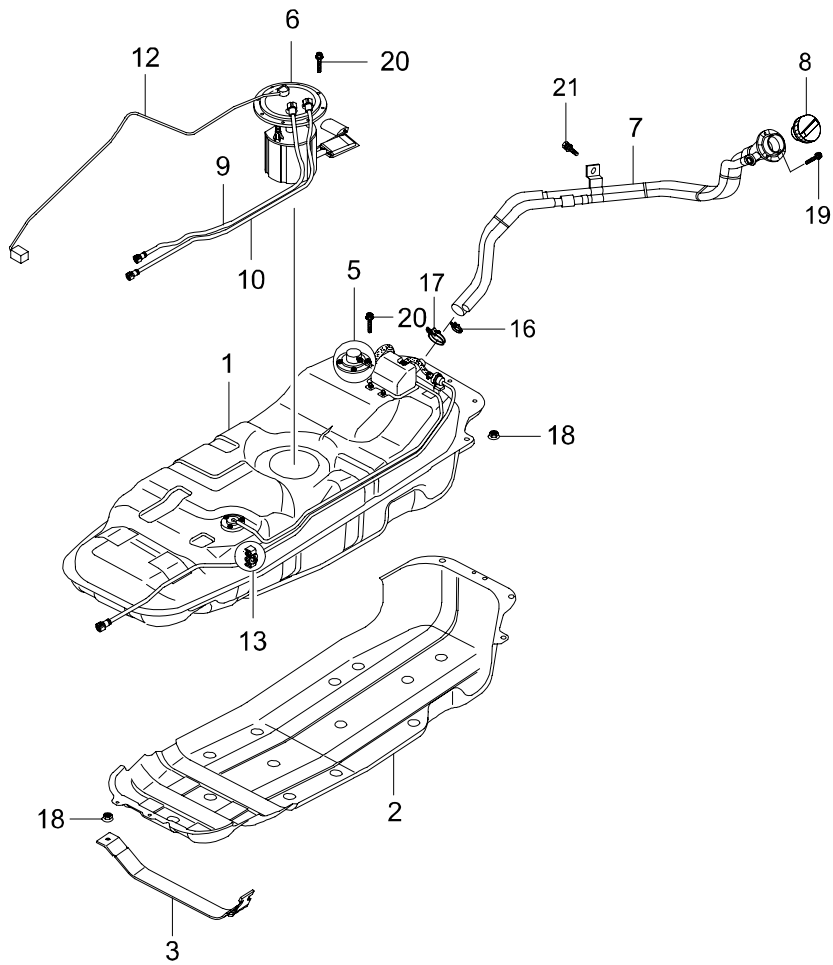
2130 RADIATOR HOSE & PIPE



2210 FUEL TANK(DSL)

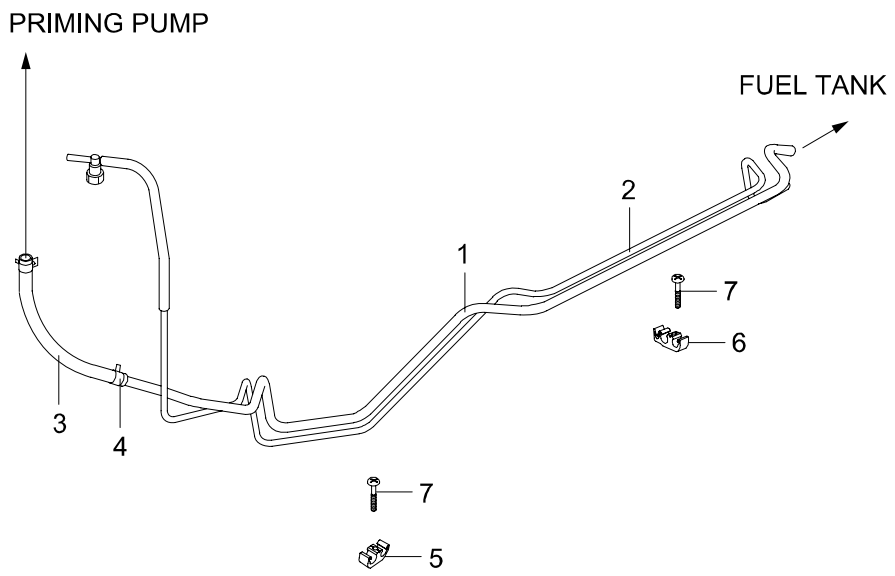


2211 FUEL TANK(GSL)



2211 - 01

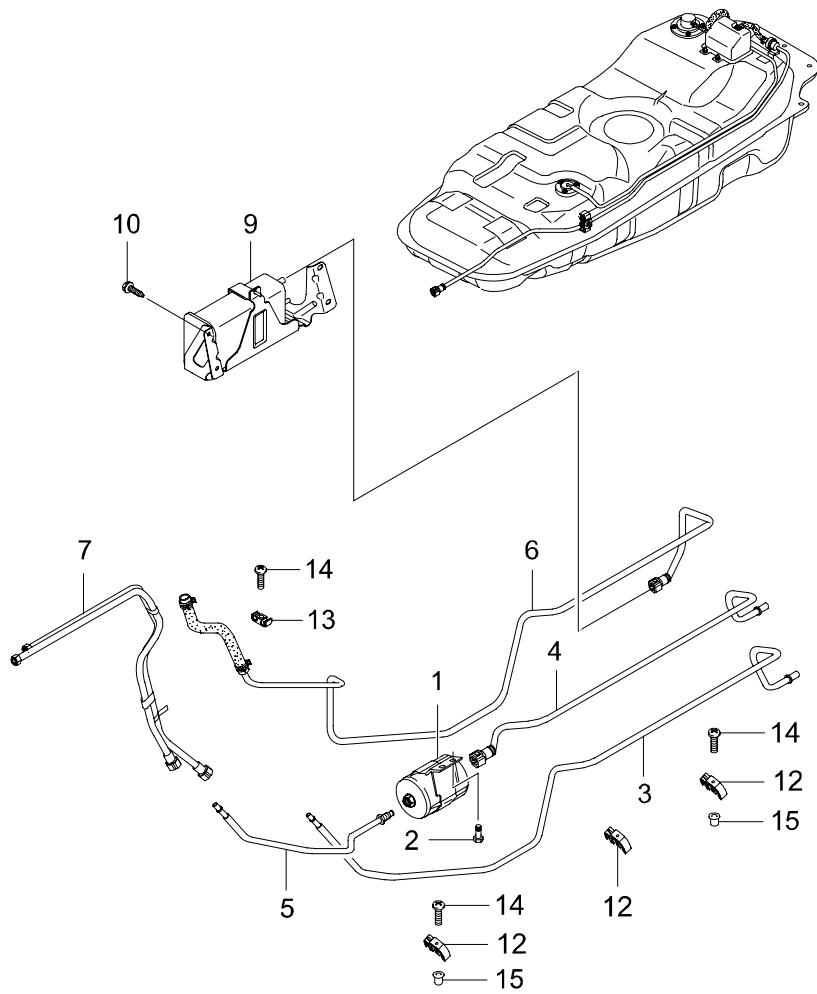
2220 FUEL LINE(DSL)



2220 FUEL LINE(DSL)

I T C	KEY NO. PART NO	PART NAME OPTION	L / R	T / M	D / R / V	MODEL										EFF. DATE		REMARK						
						D2	E2	OD	3												FROM	TO		
Y	[01] 2271109401	PIPE ASSY-FUEL SUPPLY																		06'0301	07'0131			
	2271109402																					07'0201		
N	[02] 2271209401	PIPE ASSY-FUEL RETURN																		06'0301	06'1010			
	2271209402																					06'1011	07'0131	
	2271209403																						07'0201	
	[03] 2277309401	HOSE-SUPPLY PIPE TO P/PUMP																		06'0301		L=260MM		
	[04] 2146105017	CLAMP																		06'0301		M15		
	[05] 2272108400	CLIP-PIPE																		06'0301				
	[06] 2272208400	CLIP-FUEL																		06'0301				
	[07] 935145030B	SCREW																		06'0301		M5X8X30		

2221 FUEL LINE(GSL)



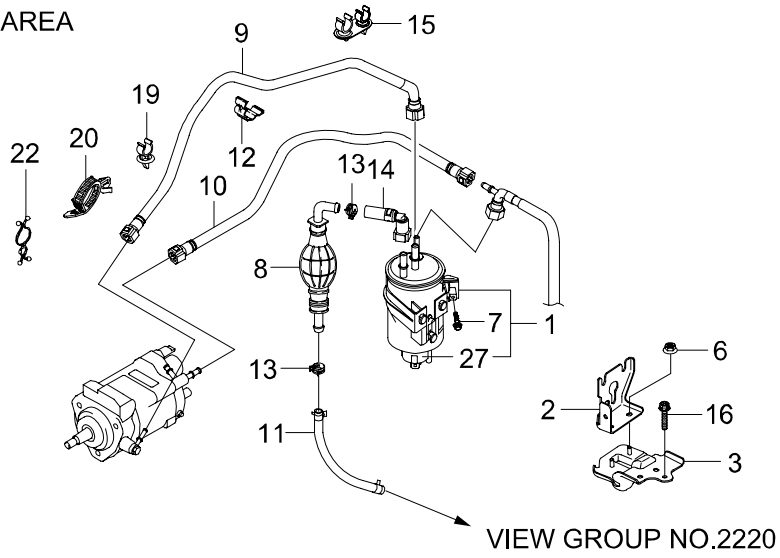
2221 - 01

2221 FUEL LINE(GSL)

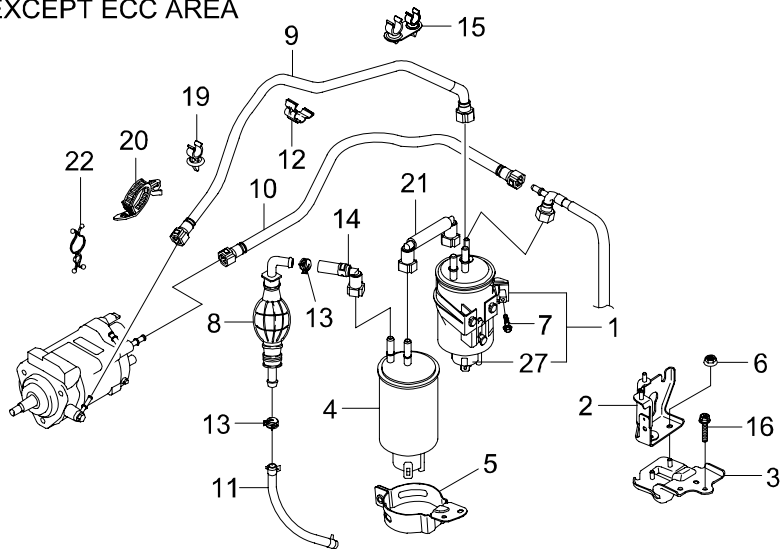
I T C	KEY NO. PART NO	PART NAME OPTION	L / R	T / M	D R V	MODEL										EFF. DATE		REMARK		
						D2	E2	0D	3										FROM	TO
	[15] 4869606000	NUT-WELL							4									06'0715		

2231 FUEL FILTER & LINE(D20DT)

ECC AREA



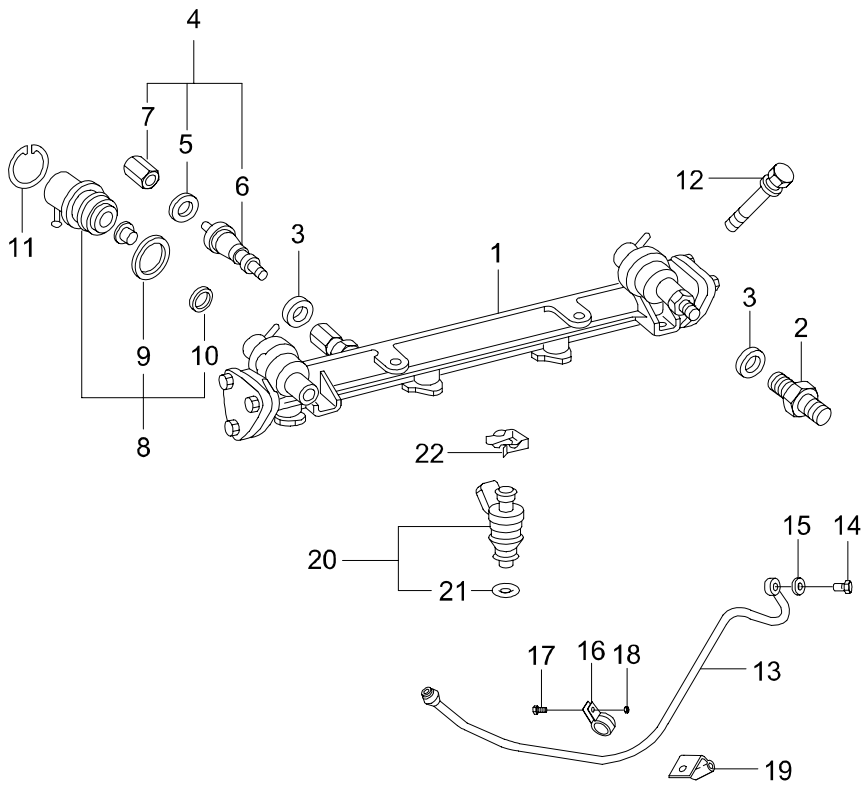
EXCEPT ECC AREA



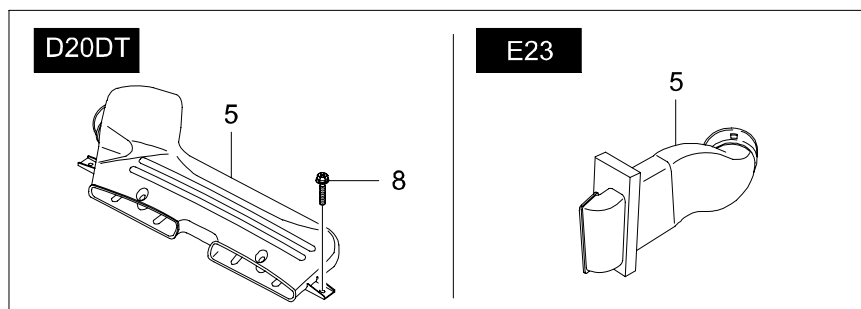
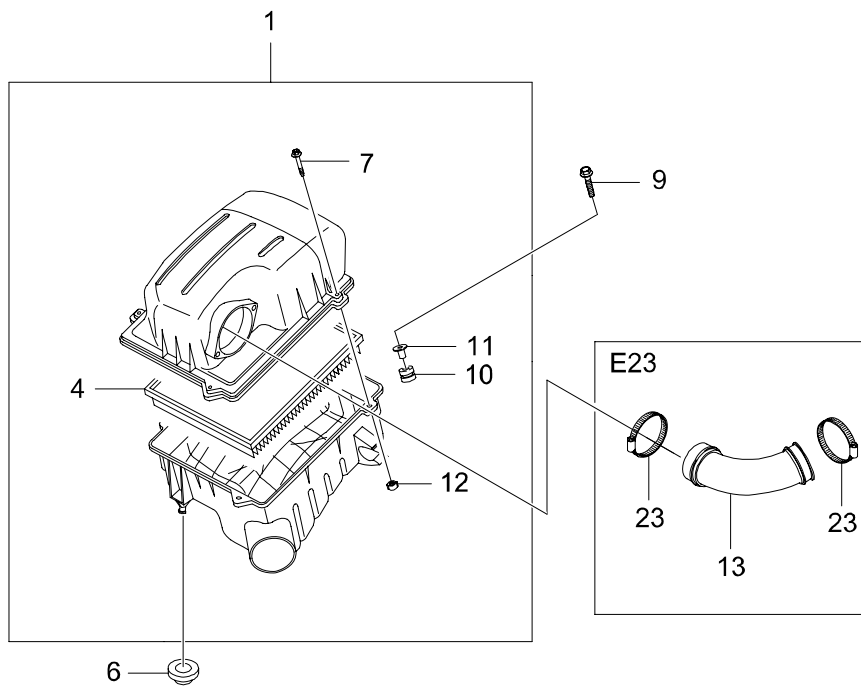
2231 FUEL FILTER & LINE(D20DT)

I T C	KEY NO. PART NO	PART NAME OPTION	L / R	T / M	D / V	MODEL										EFF. DATE		REMARK		
						D2	E2	0D	3										FROM	TO
	[01]	FILTER ASSY-FUEL																		
	6650921001	WITH SENSOR															06'0301	07'0131		
Y	6650921201	WITH SENSOR															07'0201			
	6650921101	-EEC, WITHOUT SENSOR															06'0301	07'0226	EXCEPT EEC AREA	
Y	6650921301	-EEC, WITHOUT SENSOR															07'0227		EXCEPT EEC AREA	
	[02]	BRKT-FUEL FILTER																		
	2240009010																06'0301			
	2240009020	-EEC															06'0301		EXCEPT EEC AREA	
	[03]	BRKT-FUEL FILTER MTG																		
	2247409000																06'0301			
	2247409010	WATER SEPARATOR TYPE ONLY															06'1121			
	[04]	WATER SEPERATOR ASSY-FUEL																		
	2240008020	-EEC, WITH SENSOR															06'0301	06'1217	EXCEPT EEC AREA	
Y	2247008B00	-EEC, WITH SENSOR															06'1218		EXCEPT EEC AREA	
	[05]	BRKT-FUEL WATER SEPERATOR																		
	2247209000	-EEC															06'0301		EXCEPT EEC AREA	
	[06]	NUT																		
	928840600D																06'0301		M6X1.0 ,HEX FLG	
	[07]	BOLT																		
	958170620D																06'0301		M6X1.0X20 ,HEX SEMS	
	[08]	PUMP-FUEL PRIMING																		
	6650710000																06'0301			
	[09]	TUBE ASSY-FUEL FILTER TO PUMP																		
	6640701632																06'0301	07'0501		
Y	6640701932																07'0502			
	[10]	TUBE ASSY-FUEL FILTER																		
	6640701732																06'0301	06'0417		
N	6640701832																06'0418	07'0423		
Y	6640702032																07'0424			
	[11]	HOSE-SUPPLY PIPE TO P/PUMP																		
O	2277309401																06'0301			

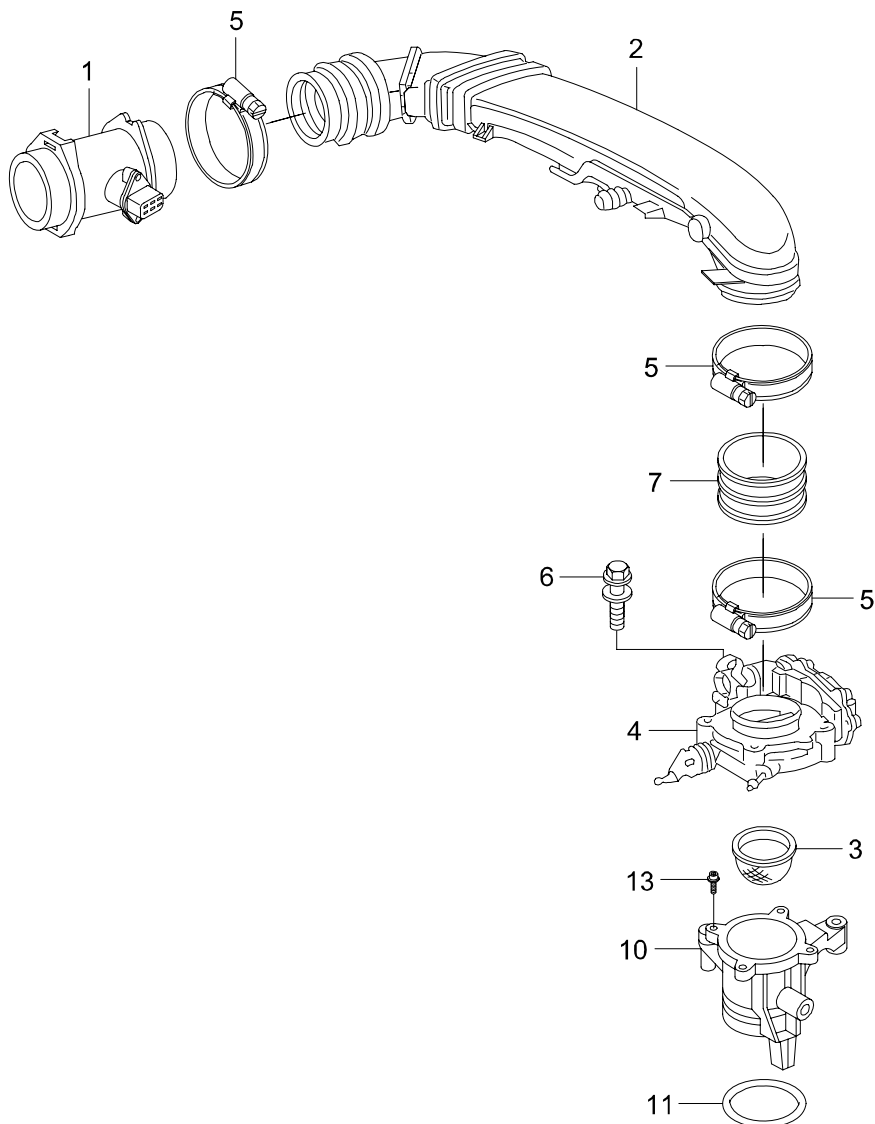
2241 FUEL SYSTEM(E23)



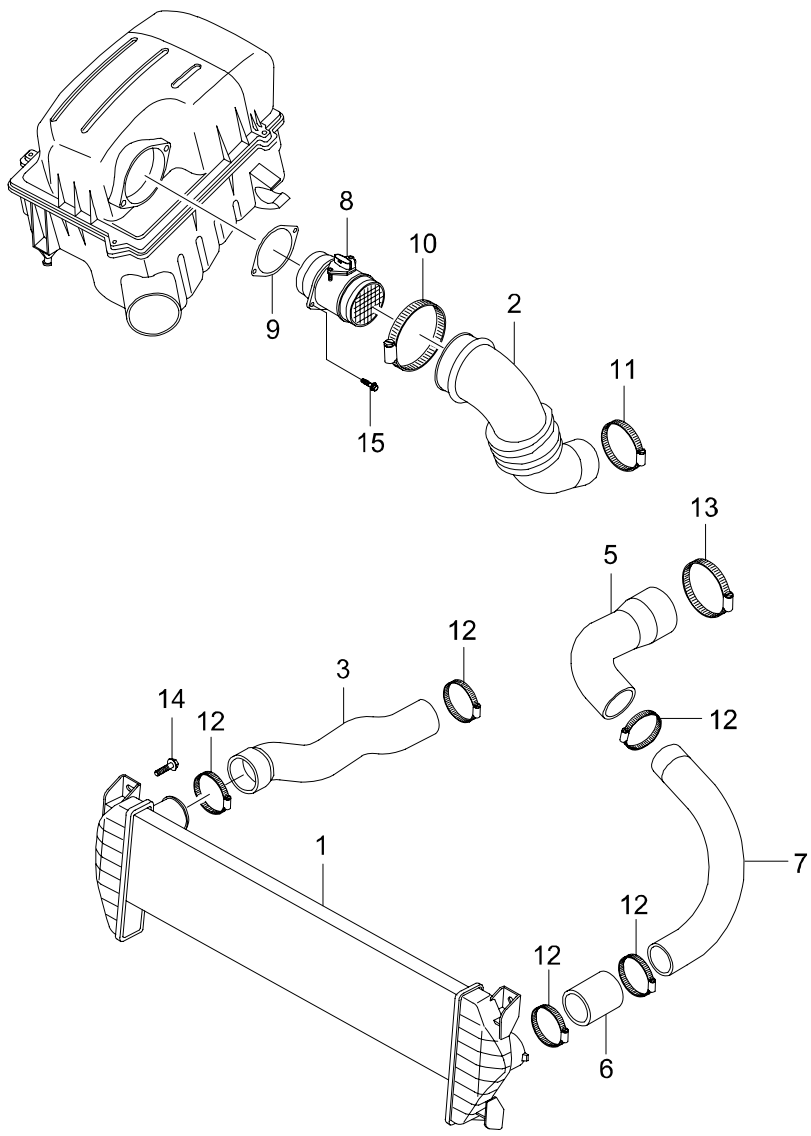
2313 AIR CLEANER



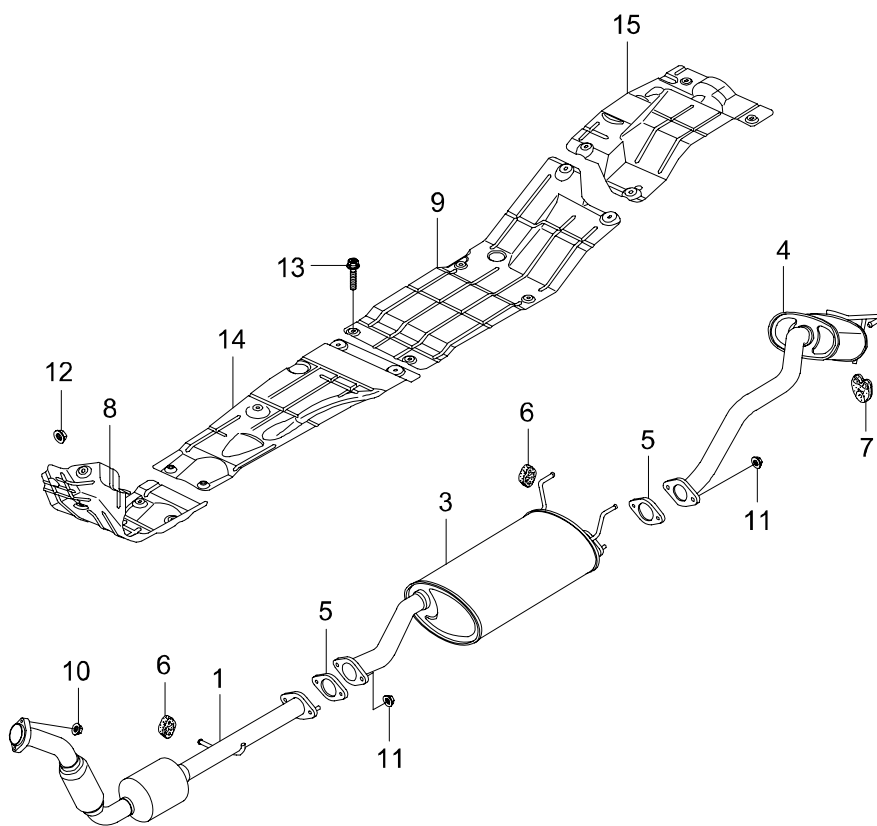
2320 AIR INTAKE SYSTEM(E23)



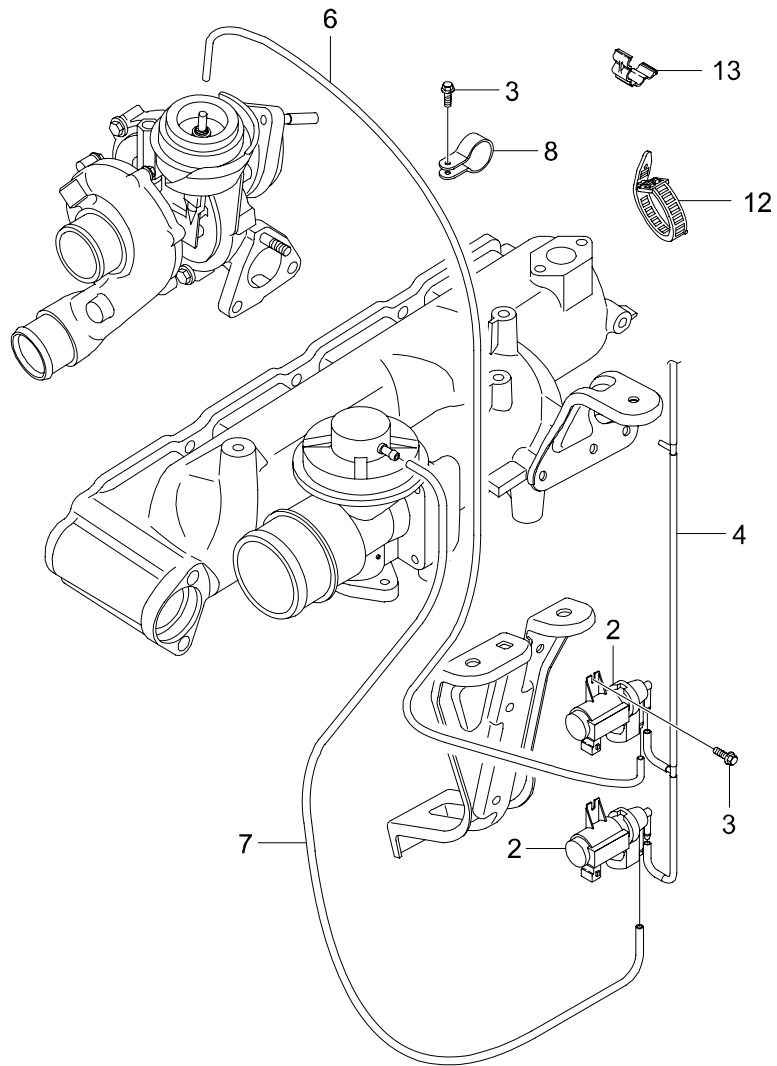
2330 AIR INTERCOOLER



2411 EXHAUST SYSTEM(D20DT)



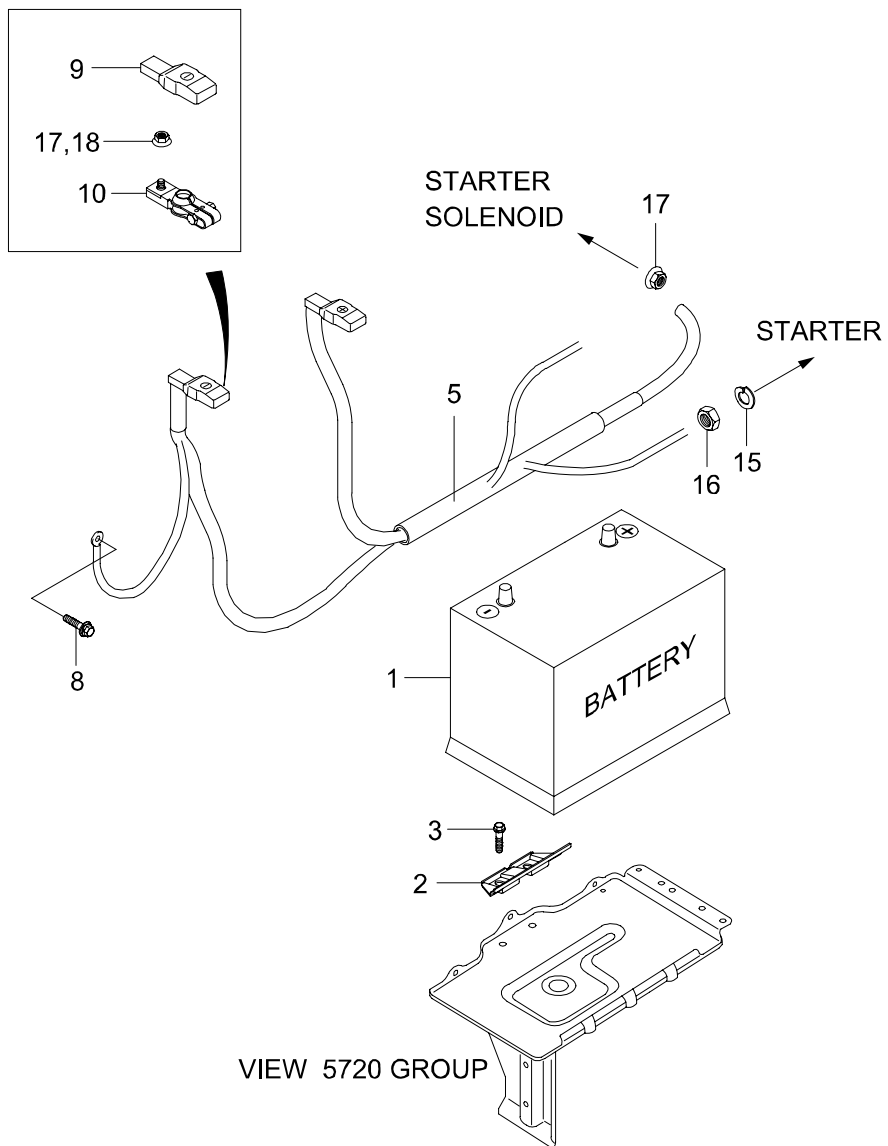
2432 EXHAUST GAS RECIRCULATION SYSTEM(D20DT)



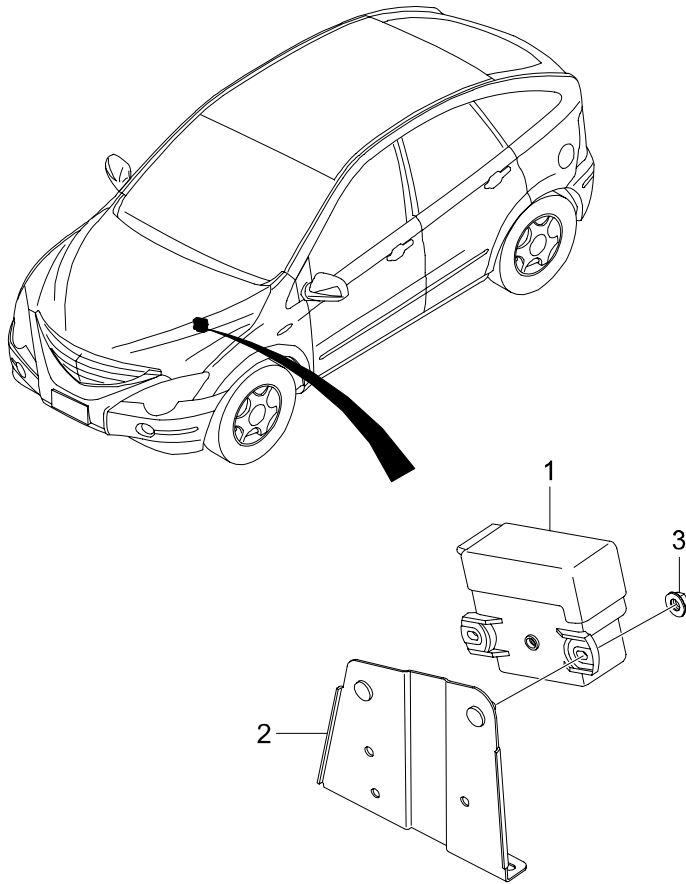
2432 EXHAUST GAS RECIRCULATION SYSTEM(D20DT)

I T C	KEY NO. PART NO	PART NAME OPTION	L / R	T / M	D R V	MODEL										EFF. DATE		REMARK		
						D2	E2	OD	3										FROM	TO
N	[02] 6655403497	MODULATOR-VACUUM															06'0301	06'0411		
	6655403797																	06'0412		CHANGED FILTER DIRECTION OF MODULATOR
	[03] 914007006007	BOLT															06'0301		M6X16, 2006.06.15-DELETED BOLT 1EA (CHANGED TO HOLDER)	
N	[04] 6641400538	HOSE ASSY-VACUUM INLET			L												06'0301	06'0411	L=160MM	
	6641401538				R													06'0301	06'0411	L=290MM
O	6641401638																06'0412	06'0522	L=410MM,COMMON USE(LHD/RHD)	
N	6641402338																06'0523	07'0419	L=410MM,COMMON USE(LHD/RHD),EURO III	
	6641402738																07'0420			
	6641402438	EU IV															06'0715		L=470MM	
N	[06] 6641401438	HOSE ASSY-VACUUM OUTLET															06'0301	06'0411	L=1150MM(TO W/GATE)	
	6641401738																	06'0412	06'0614	L=1250MM(TO W/GATE)
	6641402138																	06'0615		L=750MM(TO W/GATE),FIXED BY HOLDER(6650733010)
N	[07] 6641401338	HOSE ASSY-VACUUM OUTLET															06'0301	06'0411	L=440MM(TO EGR)	
	6641401838																	06'0412	07'0419	L=520MM(TO EGR)
	6641402538																	07'0420		L=420MM(TO EGR)
	[08] 4858508000	CLIP															06'0301	06'0614	FOR CHANGED ROUTE OF VAC.OUTLET HOSE, FIXING TYPE ==>HOLDER(6650733010)	
	[12] 8295205020	BAND															06'0412		FOR FIXING VACUUM HOSE	
	6649770088																	06'0114		TO ACOUSTIC COVER SIDE RR BRKT(6640190411)
	[13] 6650733010	HOLDER-PIPE & TUBE RETURN															06'0615			

2610 BATTERY & CABLE



2820 PREHEATING CONTROL SYSTEM



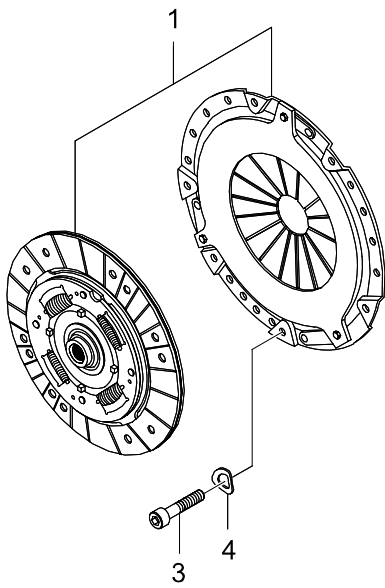
2820 - 01

2820 PREHEATING CONTROL SYSTEM

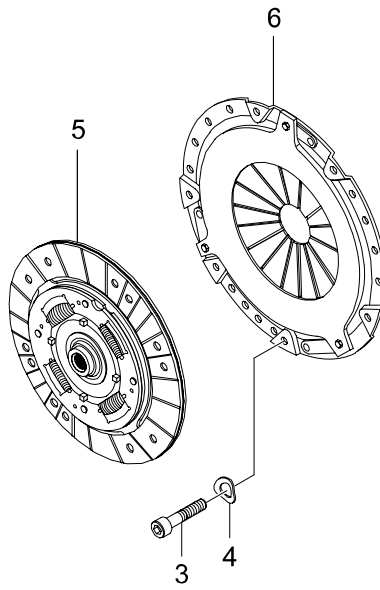
I T C	KEY NO. PART NO	PART NAME OPTION	L / R	T / M	D R V	MODEL										EFF. DATE		REMARK			
						D2	E2	OD	3											FROM	TO
	[01] 8470009000	RELAY-PREHEATING TIME																06'0301			
	[02] 2841009000	BRKT-PREHEATING TIME RELAY																06'0301	07'0131		
Y	2841009001																	07'0201			
	[03] 928840600D	NUT																06'0301		M6X1.0,HEX FLG	

3010 CLUTCH DISC & HOUSING

D20DT



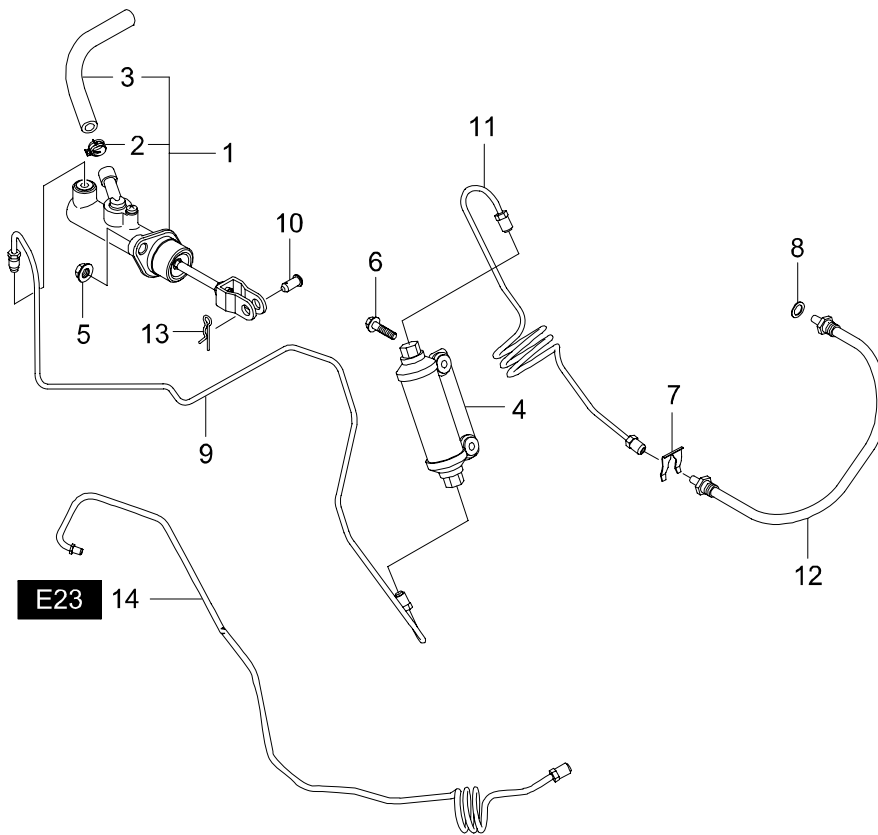
E23



3010 CLUTCH DISC & HOUSING

I T C	KEY NO. PART NO	PART NAME OPTION	L / R	T / M	D R V	MODEL										EFF. DATE		REMARK		
						D2	E2	0D	3										FROM	TO
Y	[01] 30A0009400	<i>DISC & COVER SET-CLUTCH</i>			M													06'0301	06'0531	SAT TYPE,MUST CHANGE SET
	30A0009410				M													06'0601		
	[03] 9170808181	<i>BOLT</i>			M			6	6									06'0301		M8X1.25X18 ,SOCKET
	[04] 933840800D	<i>WASHER</i>			M			6	6									06'0301		
	[05] 3010031000	<i>DISC ASSY-CLUTCH</i>			M													06'0301		GENERAL TYPE
	[06] 3020031000	<i>COVER ASSY-CLUTCH</i>			M													06'0301		GENERAL TYPE

3020 CLUTCH CONTROL



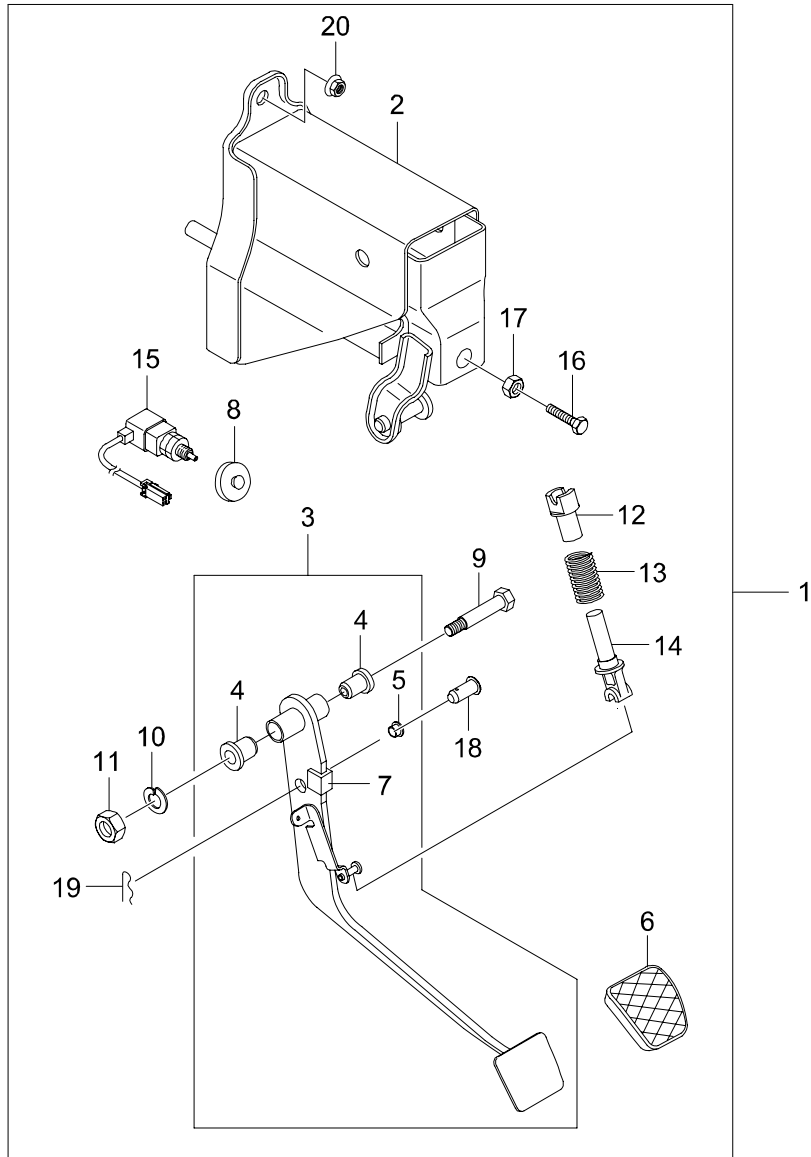
3020 CLUTCH CONTROL

I T C	KEY NO. PART NO	PART NAME OPTION	L / R	T / M	D / V	MODEL										EFF. DATE		REMARK		
						D2	E2	OD	3										FROM	TO
	[01]	<i>MODULE ASSY-CLUTCH MASTER CYLINDER</i>																		
	3050009002			M			1	1								06'0301	06'0903	INCLUDE HOSE & CLAMP		
N	3050009004			M			1	1								06'0904	07'0222	INCLUDE HOSE & CLAMP		
Y	3050009005			M			1	1								07'0223		INCLUDE HOSE & CLAMP		
	[02]	<i>CLAMP</i>																		
	9465713007			M			2	2								06'0301		M13		
	[03]	<i>HOSE-RESERVOIR</i>																		
	3058021000			M			1	1								06'0301				
	[04]	<i>CHAMBER ASSY-CLUTCH OIL</i>																		
	3056008002			M			1									06'0301				
	[05]	<i>NUT</i>																		
	928840800D			M			2	2								06'0301		M8X1.25 ,HEX FLG		
	[06]	<i>SCREW</i>																		
	982740625D			M			2									06'0301		M6X1.0X25 ,HEX SEMS		
	[07]	<i>CLIP-TUBE TO FRT B/HOSE</i>																		
	4873503000			M			1	1								06'0301				
	[08]	<i>GASKET-BRAKE HOSE TO CALIPER</i>																		
	4871603000			M			1	1								06'0301				
	[09]	<i>TUBE ASSY-M/CYL TO O/CHMBR</i>																		
	3052009000			M	L		1									06'0301	07'0131			
Y	3052009001			M	L		1									07'0201				
	3052009900			M	R		1									06'0301	07'0116			
Y	3052009901			M	R		1									07'0117				
	[10]	<i>PIN-CLEVIS</i>																		
	3046005001			M			1	1								06'0301	07'0125			
Y	3046005002			M			1	1								07'0126				
	[11]	<i>TUBE ASSY-OIL CHAMBER TO R/CYL</i>																		
	3055009000			M			1									06'0301				
	[12]	<i>HOSE ASSY-CLUTCH</i>																		
	3053008000			M			1	1								06'0301	07'0131			
Y	3053008001			M			1	1								07'0201				

3020 CLUTCH CONTROL

I T C	KEY NO. PART NO	PART NAME OPTION	L / R	T / M	D R V	MODEL										EFF. DATE		REMARK		
						D2	E2	0D	3										FROM	TO
	[13] 9531410001	<i>PIN-SNAP</i>			M			1	1									06'0301		M10
	[14] 3054031000	<i>TUBE ASSY-M/CYL TO R/CYL</i>			M	L			1									06'0715	07'0131	
Y	3054031001				M				1									07'0201		
	3054031900				M	R			1									06'0715	07'0318	
Y	3054031901				M				1									07'0319		

3030 CLUTCH PEDAL

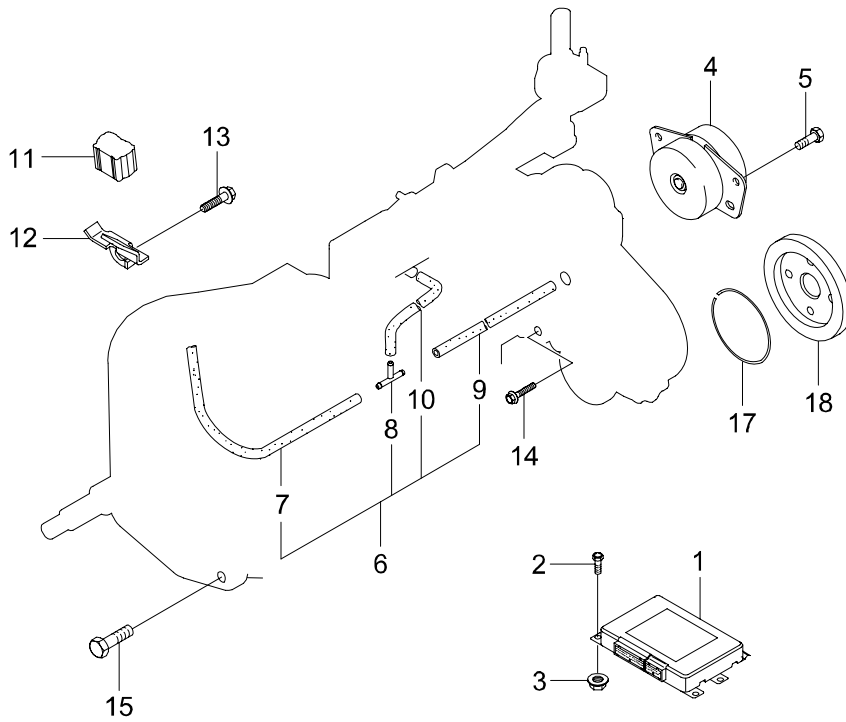


3030 - 01

3030 CLUTCH PEDAL

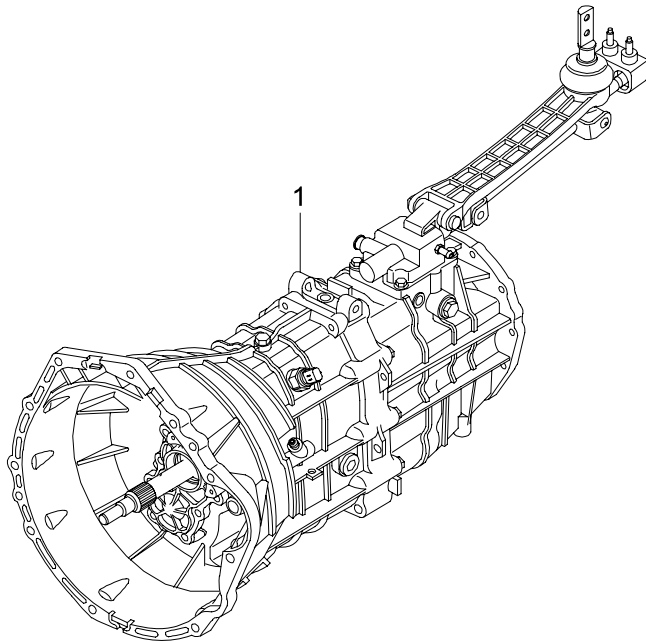
I T C	KEY NO. PART NO	PART NAME OPTION	L / R	T / M	D R V	MODEL										EFF. DATE		REMARK				
						D2	E2	0D	3												FROM	TO
	[11] 9203410001	<i>NUT</i>			M			1	1									06'0301		M10X1.25 ,HEX		
	[12] 6612933026	<i>SUPT-TURN OVER UPR</i>			M			1	1									06'0301				
	[13] 3043408100	<i>SPRING-T/OVER</i>			M			1	1									06'0301				
	[14] 6612933126	<i>SUPT-TURN OVER LWR</i>			M			1	1									06'0301				
	[15] 8576006000	<i>SWITCH ASSY-CLUTCH INTERLOCK</i>			M			1	1									06'0301				
	[16] 9134710301	<i>BOLT</i>			M			1	1									06'0301		M10X1.25X30 ,HEX		
	[17] 9211410001	<i>NUT</i>			M			1	1									06'0301		M10X1.25 ,HEX		
	[18] 3046005001	<i>PIN-CLEVIS</i>			M			1	1									06'0301	07'0125			
Y	3046005002				M			1	1									07'0126				
	[19] 9531410001	<i>PIN-SNAP</i>			M			1	1									06'0301		M10		
	[20] 928840800D	<i>NUT</i>			M			1	1									06'0301		M8X1.25,HEX FLG		

3110 T/M & T/C ATTACHMENT



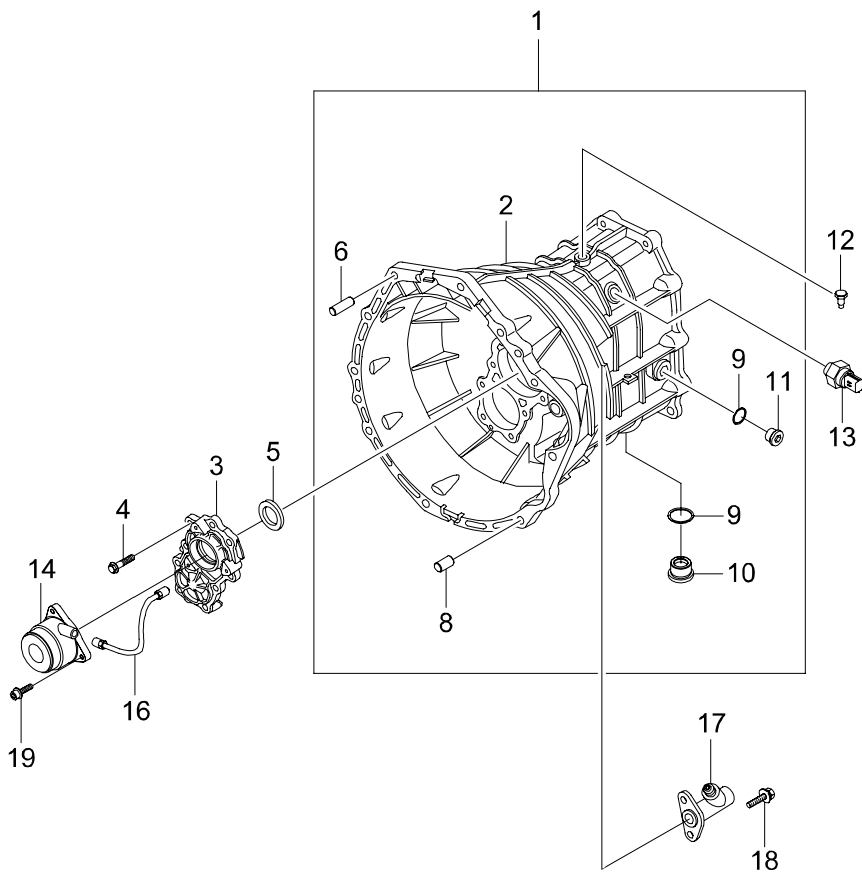
3110 - 01

3170 TRANSMISSION-TSM54(M/T,4WD)



3170 - 01

3171 CLUTCH HOUSING-TSM54(M/T,4WD)

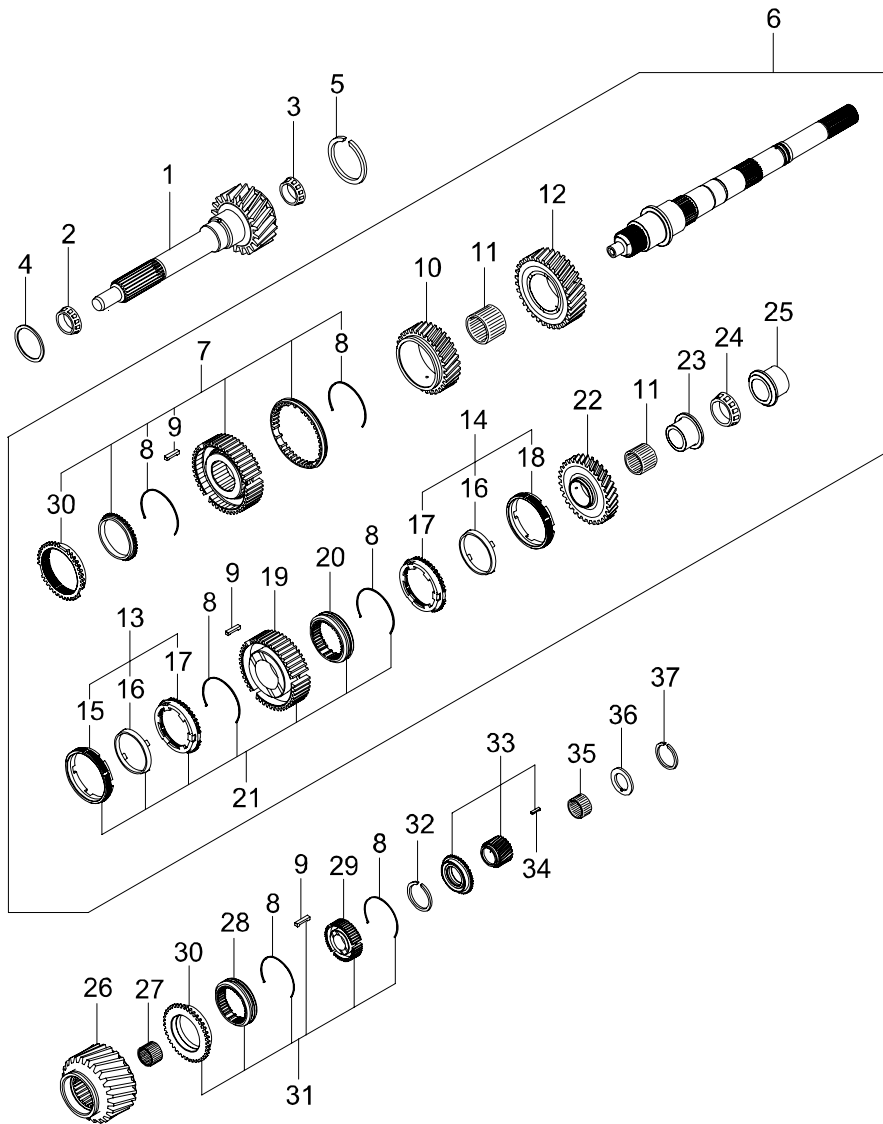


3171 - 01

3171 CLUTCH HOUSING-TSM54(M/T,4WD)

I T C	KEY NO. PART NO	PART NAME OPTION	L / R	T / M	D / R / V	MODEL										EFF. DATE		REMARK		
						D2	E2	OD	3										FROM	TO
Y	[01] 3111008200	HOUSING ASSY-T/M		M														06'0301	07'0131	
	3111008201			M														07'0201		
	[02] 3111108100	HOUSING-T/M		M														06'0301		
	[03] 3163208200	COVER-FRT FORK		M														06'0301		
	[04] 916270825D	BOLT		M														06'0301		M8X1.25X25 ,HEX FLG
	[05] 3164108000	SEAL-INPUT OIL		M														06'0301		
	[06] 9538410200	PIN		M														06'0301		M10
	[08] 3152608000	PIN-DOWEL		M														06'0301		
	[09] 007603024105	RING-SEAL		M														06'0301		
	[10] 3111208000	PLUG-OIL DRAIN		M														06'0301		
	[11] 3111308000	PLUG-OIL FILLER		M														06'0301		
	[12] 3176108000	BOLT-INTERLOCK		M														06'0301		
	[13] 3111508000	SWITCH ASSY-BACK LIGHT		M														06'0301		
	[14] 3036021100	CYLINDER ASSY-CONCENTRIC SLAVE		M														06'0301		
	[16] 3138021100	TUBE ASSY		M														06'0301	07'0131	
	Y 3138021101				M													07'0201		

3172 INPUT & OUTPUT SHAFT-TSM54(M/T,4WD)



3172 INPUT & OUTPUT SHAFT-TSM54(M/T,4WD)

I T C	KEY NO. PART NO	PART NAME OPTION	L / R	T / M	D R V	MODEL										EFF. DATE		REMARK		
						D2	E2	OD	3										FROM	TO
	[01] 3141008022	SHAFT SUB ASSY-INPUT			M			1	1									06'0301		
	[02] 3165008000	BEARING-TAPER ROLLER MAIN			M			1	1									06'0301		
	[03] 3166008000	BEARING-TAPER ROLLER MIDDLE			M			1	1									06'0301		
	[04] 3161108010	SPACER-INPUT			M			1	1									06'0301		T=0.75
	3161108020				M			1	1									06'0301		T=0.80
	3161108030				M			1	1									06'0301		T=0.85
	3161108040				M			1	1									06'0301		T=0.90
	3161108050				M			1	1									06'0301		T=0.95
	3161108060				M			1	1									06'0301		T=1.00
	3161108070				M			1	1									06'0301		T=1.05
	3161108080				M			1	1									06'0301		T=1.10
	3161108090				M			1	1									06'0301		T=1.15
	3161108100				M			1	1									06'0301		T=1.20
	3161108110				M			1	1									06'0301		T=1.25
	3161108120				M			1	1									06'0301		T=1.30
	3161108130				M			1	1									06'0301		T=1.35
	3161108140				M			1	1									06'0301		T=1.40
	3161108150				M			1	1									06'0301		T=1.45
	[05] 3162108010	RING-RETAIN 3RD & 4TH			M			1	1									06'0301		T=2.80
	3162108020				M			1	1									06'0301		T=2.85
	3162108030				M			1	1									06'0301		T=2.90
	3162108040				M			1	1									06'0301		T=2.95
	[06] 3122008023	SHAFT ASSY-OUTPUT			M			1	1									06'0301		
	[07] 3132008002	SYNCHRONIZER ASSY			M			1	1									06'0301		
	[08] 3131308001	SPRING-SYNCHRONIZER			M			6	6									06'0301		

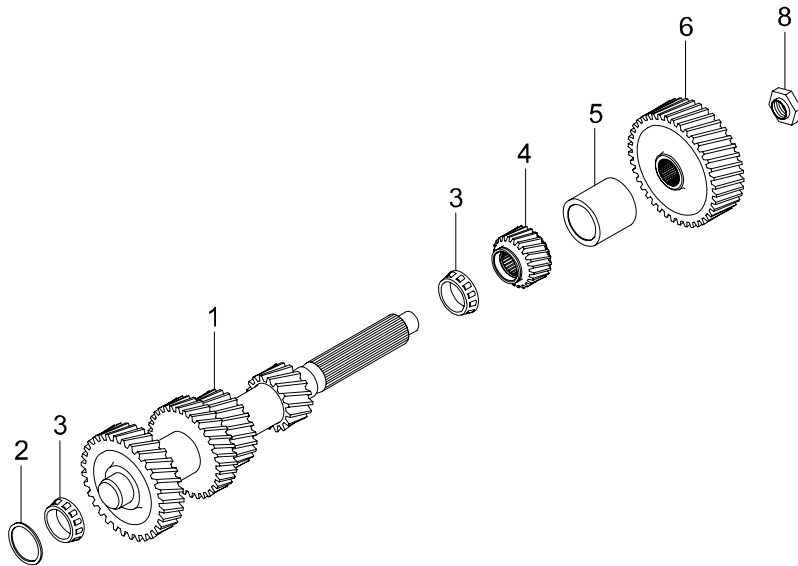
3172 INPUT & OUTPUT SHAFT-TSM54(M/T,4WD)

I T C	KEY NO. PART NO	PART NAME OPTION	L / R	T / M	D R V	MODEL										EFF. DATE		REMARK		
						D2	E2	0D	3										FROM	TO
	[09] 3131408000	KEY-SYNCHRO			M			9	9									06'0301		
	[10] 3125008010	GEAR ASSY-3RD			M			1	1									06'0301		
	[11] 3168408001	BEARING-NEEDLE			M			2	2									06'0301		
	[12] 3124008010	GEAR ASSY-2ND			M			1	1									06'0301		
	[13] 3134008000	CONE ASSY-DOUBLE 1ST			M			1	1									06'0301		
	[14] 3134008100	CONE ASSY-DOUBLE 2ND			M			1	1									06'0301		
	[15] 3134308000	RING-SYNCHRO INR			M			1	1									06'0301		
	[16] 3134208000	CONE-SYNCHRO MID			M			2	2									06'0301		
	[17] 3134108000	RING-SYNCHRO OTR			M			2	2									06'0301		
	[18] 3134108100	RING-SYNCHRO OTR			M			1	1									06'0301		
	[19] 3131108000	HUB-SYNCHRONIZER 1ST & 2ND			M			1	1									06'0301		
	[20] 3131208001	SLEEVE-DOUBLE SYNCHRO			M			1	1									06'0301		
	[21] 3131008001	SYNCHRONIZER ASSY			M			1	1									06'0301		
	[22] 3123008010	GEAR ASSY-1ST			M			1	1									06'0301		
	[23] 3122408000	RACE-INR 1ST			M			1	1									06'0301		

3172 INPUT & OUTPUT SHAFT-TSM54(M/T,4WD)

I T C	KEY NO. PART NO	PART NAME OPTION	L / R	T / M	D R V	MODEL										EFF. DATE		REMARK		
						D2	E2	OD	3										FROM	TO
	[24] 3165008000	BEARING-TAPER ROLLER MAIN			M			1	1									06'0301		
	[25] 3122308000	RACE-REVERSE INR			M			1	1									06'0301		
	[26] 3127008010	GEAR ASSY-REVERSE			M			1	1									06'0301		
	[27] 3168108000	BEARING-RVS IDLER NEEDLE			M			1	1									06'0301		
	[28] 3132208001	SLEEVE-SINGLE SYNCHRO			M			1	1									06'0301		
	[29] 3133108000	HUB-SYNCHRO 5TH & REV			M			1	1									06'0301		
	[30] 3132308001	RING-SYNCHRO OTR			M			2	2									06'0301		
	[31] 3133008002	SYNCHRONIZER ASSY			M			1	1									06'0301		
	[32] 3162308010	RING-RETAIN 5TH & REV			M			1	1									06'0301		T=2.55
	3162308020				M			1	1									06'0301		T=2.60
	3162308030				M			1	1									06'0301		T=2.65
	3162308040				M			1	1									06'0301		T=2.75
	3162308050				M			1	1									06'0301		T=2.75
	3162308060				M			1	1									06'0301		T=2.80
	3162308070				M			1	1									06'0301		T=2.90
	3162308080				M			1	1									06'0301		T=2.95
	3162308090				M			1	1									06'0301		T=3.00
	3162308100				M			1	1									06'0301		T=2.55
	[33] 3126008011	GEAR ASSY-5TH			M			1	1									06'0301		
	[34] 3126408000	PIN-SPRING			M			1	1									06'0301		5MM, BALL TYPE
	[35] 3168208000	BEARING-5TH NEEDLE			M			1	1									06'0301		

3173 COUNT SHAFT GEAR-TSM54(M/T,4WD)

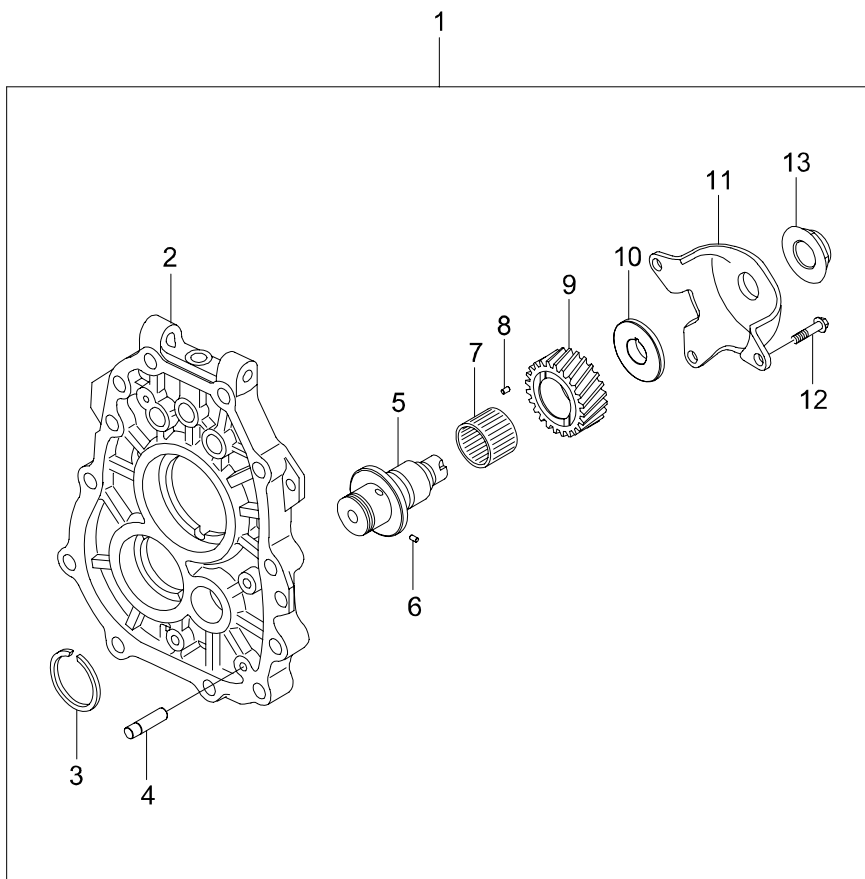


3173 - 01

3173 COUNT SHAFT GEAR-TSM54(M/T,4WD)

I T C	KEY NO. PART NO	PART NAME OPTION	L / R	T / M	D / R / V	MODEL										EFF. DATE		REMARK			
						D2	E2	OD	3											FROM	TO
	[01] 3151108010	SHAFT ASSY-COUNTER		M		1	1											06'0301		GEAR TEETH: 1(13), 2(22), 3(29), 4(33)	
	[02] 3161208010	SPACER-COUNTER		M		1	1											06'0301		T=0.40	
	3161208020			M		1	1											06'0301		T=1.15	
	3161208030			M		1	1											06'0301		T=1.20	
	3161208040			M		1	1											06'0301		T=1.25	
	3161208050			M		1	1											06'0301		T=1.30	
	3161208060			M		1	1											06'0301		T=1.35	
	3161208070			M		1	1											06'0301		T=1.40	
	3161208080			M		1	1											06'0301		T=1.45	
	3161208090			M		1	1											06'0301		T=1.50	
	3161208100			M		1	1											06'0301		T=1.55	
	[03] 3167008000	BEARING ASSY-COUNTER TAPER ROLLER		M		2	2											06'0301			
	[04] 3127208010	GEAR-COUNTER RVS		M		1	1											06'0301			
	[05] 3183708001	BUSH-COUNTER SHAFT		M		1	1											06'0301			
	[06] 3126308011	GEAR-COUNTER 5TH		M		1	1											06'0301			
	[08] 3152508010	LOCK NUT-COUNTER		M		1	1											06'0301			

3174 ADAPTOR ASSY-TSM54(M/T,4WD)



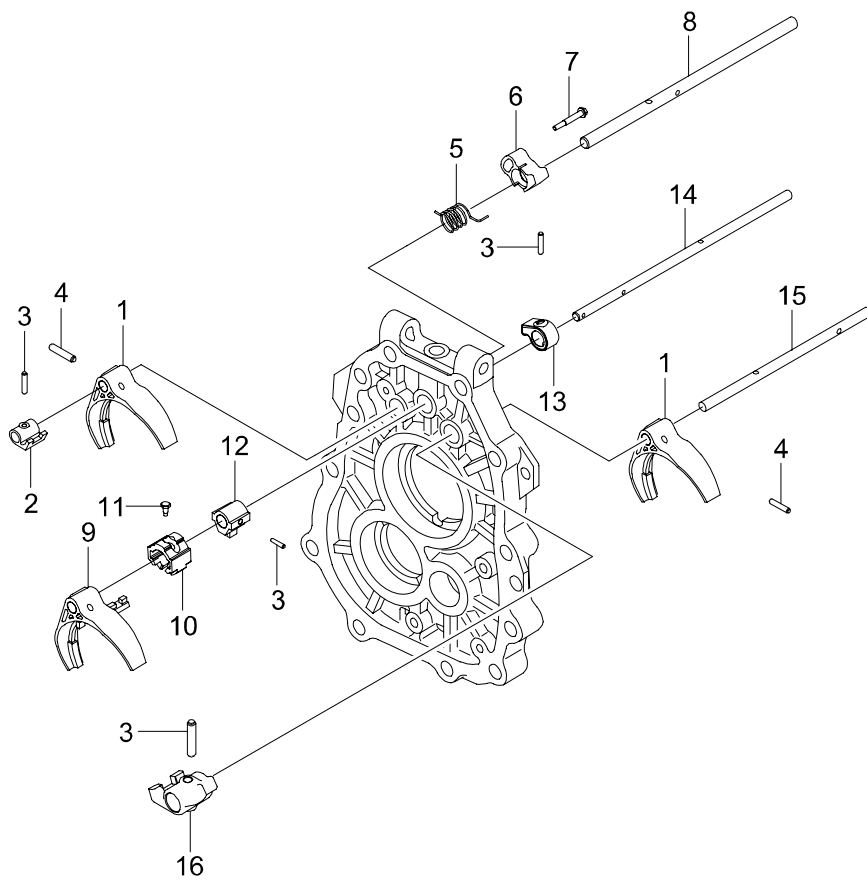
3174 ADAPTOR ASSY-TSM54(M/T,4WD)

I T C	KEY NO. PART NO	PART NAME OPTION	L / R	T / M	D R V	MODEL										EFF. DATE		REMARK		
						D2	E2	OD	3										FROM	TO
	[01] 3112008011	ADAPTOR ASSY-T/M		M		1	1										06'0301			
	[02] 3112108010	ADAPTOR-T/M		M		1	1										06'0301			
	[03] 3162208010	RING-RETAIN RVS IDLER		M		1	1										06'0301		T=1.70	
	3162208020			M		1	1										06'0301		T=1.75	
	3162208030			M		1	1										06'0301		T=1.80	
	3162208040			M		1	1										06'0301		T=1.85	
	3162208050			M		1	1										06'0301		T=1.90	
	3162208060			M		1	1										06'0301		T=1.95	
	3162208070			M		1	1										06'0301		T=2.00	
	3162208080			M		1	1										06'0301		T=2.05	
	3162208090			M		1	1										06'0301		T=2.10	
	3162208100			M		1	1										06'0301		T=2.15	
	3162208110			M		1	1										06'0301		T=2.20	
	3162208120			M		1	1										06'0301		T=2.25	
	3162208130			M		1	1										06'0301		T=2.30	
	[04] 3112208000	PIN		M		1	1										06'0301			
	[05] 3152108001	SHAFT-REVERSE IDLER		M		1	1										06'0301			
	[06] 3126408000	PIN-SPRING		M		1	1										06'0301		5MM, BALL TYPE	
	[07] 3168308000	BEARING-RVS IDLER NEEDLE		M		1	1										06'0301			
	[08] 3152608000	PIN-DOWEL		M		2	2										06'0301			
	[09] 3127308000	GEAR-REVERSE IDLER		M		1	1										06'0301			
	[10] 3152308001	SPACER-REVERSE IDLER		M		1	1										06'0301			

3174 ADAPTOR ASSY-TSM54(M/T,4WD)

I T C	KEY NO. PART NO	PART NAME OPTION	L / R	T / M	D R V	MODEL										EFF. DATE		REMARK		
						D2	E2	0D	3										FROM	TO
	[11] 3152408000	<i>BRKT-IDLER SHAFT</i>			M			1	1									06'0301		
	[12] 916270825D	<i>BOLT</i>			M			3	3									06'0301		M8X1.25X25 ,HEX FLG
	[13] 3152508000	<i>NUT</i>			M			1	1									06'0301		

3175 RAIL & SHIFT FORK-TSM54(M/T,4WD)



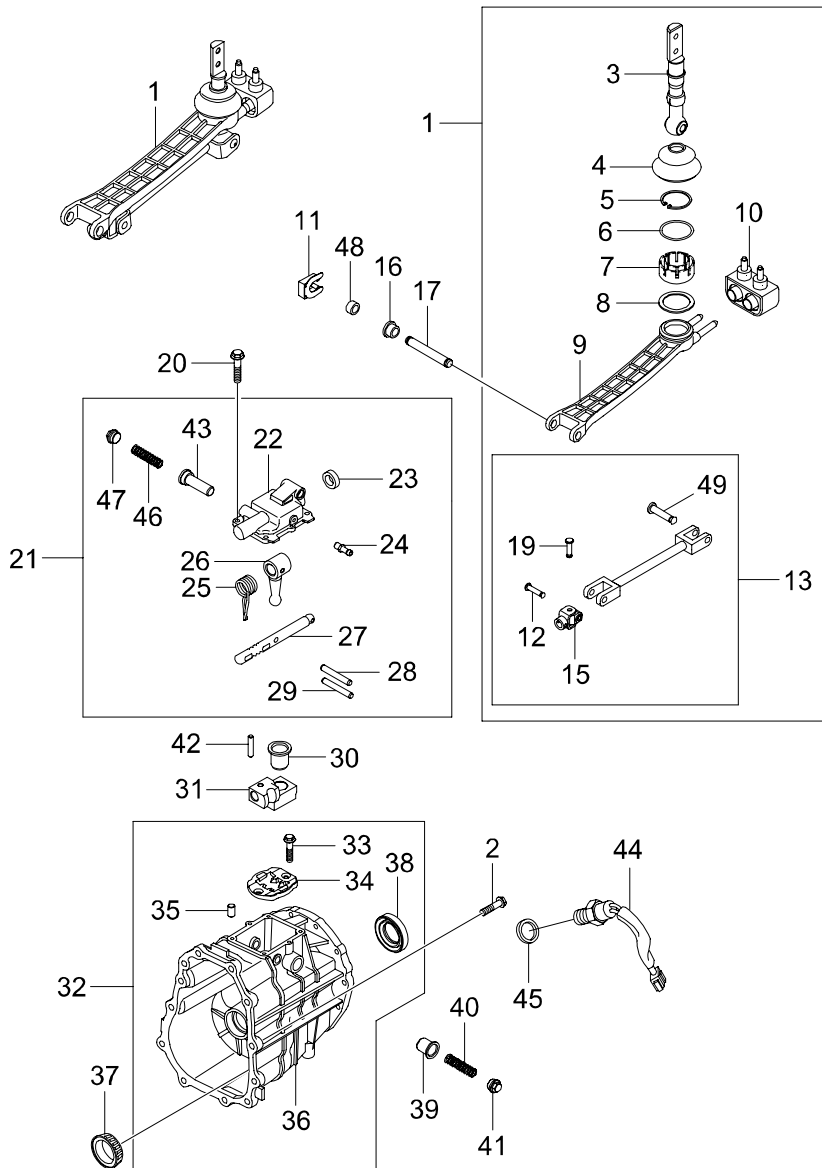
3175 RAIL & SHIFT FORK-TSM54(M/T,4WD)

I T C	KEY NO. PART NO	PART NAME OPTION	L / R	T / M	D R V	MODEL										EFF. DATE		REMARK		
						D2	E2	OD	3										FROM	TO
	[01] 3177208000	FORK-SHIFT			M			2	2									06'0301		
	[02] 3177308000	LUG-SHIFT 1ST & 2ND			M			1	1									06'0301		
	[03] 9532406256	PIN-SPRING			M			4	4									06'0301		M6
	[04] 9532406286	PIN-SPRING			M			2	2									06'0301		M6
	[05] 3174408001	SPRING-REVERSE LOCK			M			1	1									06'0301		
	[06] 3174208001	PLATE-REVERSE LOCK			M			1	1									06'0301		
	[07] 3174308000	BOLT			M			1	1									06'0301		
	[08] 3177108001	RAIL-SHIFT			M			1	1									06'0301		
	[09] 3172208001	FORK ASSY-SHIFT 3RD & 4TH			M			1	1									06'0301		
	[10] 3172508001	PLATE-INTERLOCK			M			1	1									06'0301		
	[11] 3176108000	BOLT-INTERLOCK			M			1	1									06'0301		
	[12] 3172408000	LEVER-INR SHIFT			M			1	1									06'0301		
	[13] 3174108000	PLATE-STOPPER			M			1	1									06'0301		
	[14] 3172108000	RAIL-SHIFT			M			1	1									06'0301		
	[15] 3178108000	RAIL-SHIFT			M			1	1									06'0301		

3175 RAIL & SHIFT FORK-TSM54(M/T,4WD)

I T C	KEY NO. PART NO	PART NAME OPTION	L / R	T / M	D R V	MODEL										EFF. DATE		REMARK			
						D2	E2	0D	3											FROM	TO
	[16] 3178308000	LUG-SHIFT 5TH & REV		M				1	1										06'0301		

3176 SHIFTER & EXTENSION-TSM54(M/T,4WD)



3176 SHIFTER & EXTENSION-TSM54(M/T,4WD)

I T C	KEY NO. PART NO	PART NAME OPTION	L / R	T / M	D R V	MODEL										EFF. DATE		REMARK		
						D2	E2	0D	3										FROM	TO
	[16] 3183108000	<i>BUSH-T.G.S</i>			M			2	2									06'0301		
	[17] 3183208000	<i>PIN</i>			M			1	1									06'0301		
	[19] 3184908010	<i>PIN-JOINT</i>			M			1	1									06'0301		
	[20] 916270820D	<i>BOLT</i>			M			4	4									06'0301		M8X1.25X20 ,HEX FLG
	[21] 3181008052	<i>COVER ASSY-TOP</i>			M			1	1									06'0301	06'0717	M8X1.25X25 ,HEX FLG
Y	3181008053				M			1	1									06'0718		
	[22] 3181121001	<i>COVER-TOP</i>			M			1	1									06'0301		
	[23] 3164308000	<i>SEAL-OIL CONTROL</i>			M			1	1									06'0301		
	[24] 3181508000	<i>VENT-AIR</i>			M			1	1									06'0301		
	[25] 3181408000	<i>SPRING-RETURN</i>			M			1	1									06'0301		
	[26] 3181308000	<i>LEVER-SHIFT</i>			M			1	1									06'0301		
	[27] 3181208012	<i>SHAFT-SHIFT</i>			M			1	1									06'0301		
	[28] 3181608000	<i>PIN-SPRING</i>			M			1	1									06'0301		
	[29] 3181708000	<i>PIN-SPRING</i>			M			1	1									06'0301		
	[30] 3175208000	<i>BUSH-OFFSET LEVER</i>			M			1	1									06'0301		
	[31] 3175408010	<i>LEVER-OFFSET CONTROL</i>			M			1	1									06'0301		

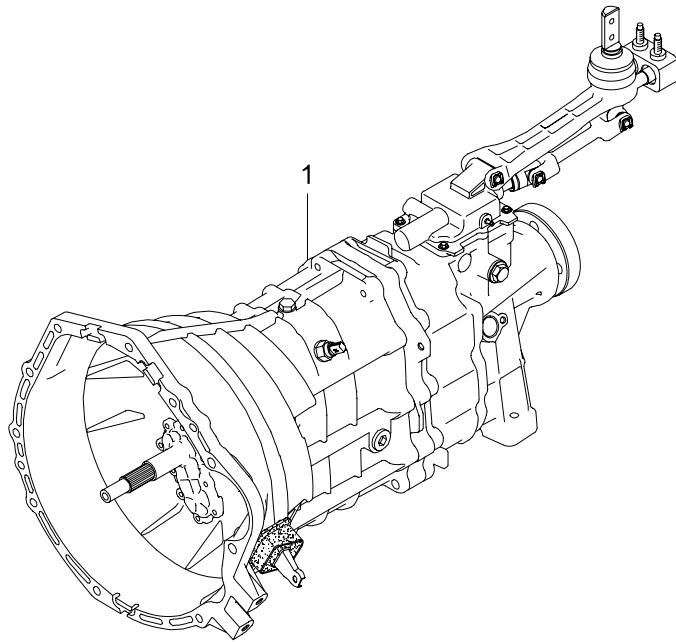
3176 SHIFTER & EXTENSION-TSM54(M/T,4WD)

I T C	KEY NO. PART NO	PART NAME OPTION	L / R	T / M	D R V	MODEL										EFF. DATE		REMARK		
						D2	E2	OD	3										FROM	TO
	[32] 3113008010	HOUSING ASSY-EXTENSION		M														06'0301		
	[33] 000963006046	SCREW-COUNTER SUNK		M														06'0301		M6X4.8
	[34] 3175308000	PLATE-OFFSET		M														06'0301		
	[35] 3152621000	PIN-DOWEL		M														06'0301		
	[36] 3113121010	HOUSING-EXTENSION		M														06'0301		
	[37] 3155008000	BEARING ASSY-COUNTER ROLLER BALL BEARING		M														06'0301		WITHOUT EXTENSION HOUSING ASSY
	[38] 3164221000	SEAL-OUTPUT OIL		M														06'0301		28 * 42 * 8
	[39] 3182308000	PLUNGER-ROLLING		M														06'0301		
	[40] 3182108001	SPRING-RETURN		M														06'0301		
	[41] 3182208000	PLUG-SPRING		M														06'0301		
	[42] 9532406256	PIN-SPRING		M														06'0301		M6
	[43] 3176208001	PIN-DETENT		M														06'0301		
	[44] 6615453006	SWITCH ASSY-T/M BACK UP LAMP		M														06'0301	07'0429	
Y	6655450006			M														07'0430		
	[45] 007603016102	RING-SEAL		M														06'0301		
	[46] 3182108010	SPRING-DETENT		M														06'0301		

3176 SHIFTER & EXTENSION-TSM54(M/T,4WD)

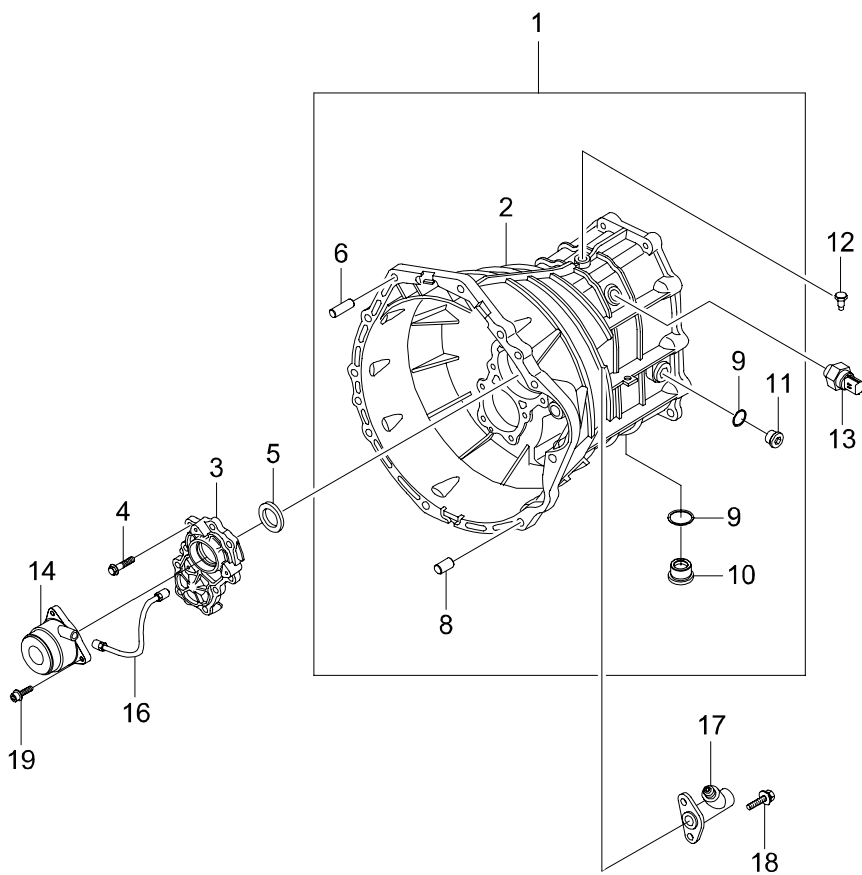
I T C	KEY NO. PART NO	PART NAME OPTION	L / R	T / M	D R V	MODEL										EFF. DATE		REMARK			
						D2	E2	0D	3											FROM	TO
	[47] 3182208010	<i>PLUG-DETENT</i>			M			1	1									06'0301			
	[48] 3183608000	<i>BUSH-TGS MTG</i>			M			1	1									06'0301			
	[49] 3184908030	<i>RIVET</i>			M			1	1									06'0301			

3180 TRANSMISSION-TSM52(M/T,2WD)



3180 - 01

3181 CLUTCH HOUSING-TSM52(M/T,2WD)

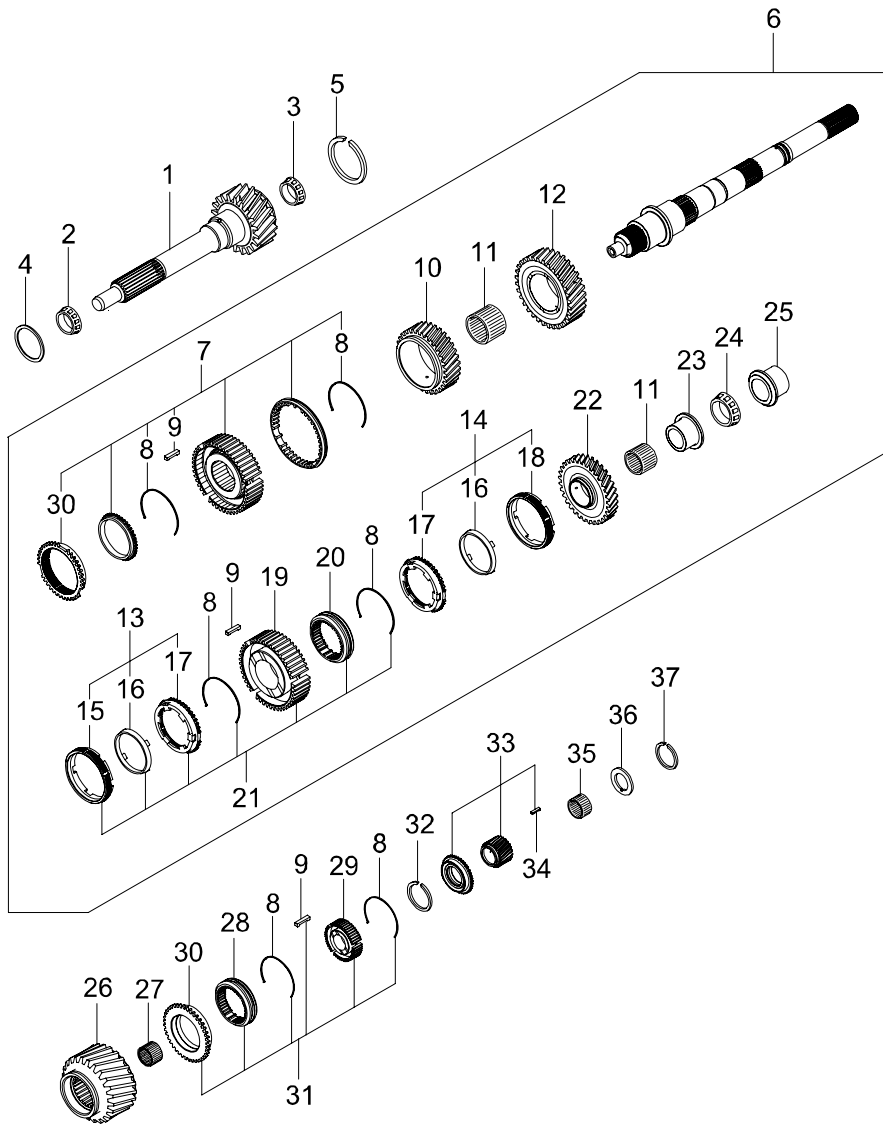


3181 - 01

3181 CLUTCH HOUSING-TSM52(M/T,2WD)

I T C	KEY NO. PART NO	PART NAME OPTION	L / R	T / M	D / R / V	MODEL										EFF. DATE		REMARK	
						D2	E2	OD	3										FROM
Y	[01] 3111008200	HOUSING ASSY-T/M		M		1	1										06'0301	07'0131	
	3111008201			M		1	1										07'0201		
	[02] 3111108100	HOUSING-T/M		M		1	1										06'0301		
	[03] 3163208200	COVER-FRT FORK DMF		M		1	1										06'0301		
	[04] 916270825D	BOLT		M		9	9										06'0301		M8X1.25X25 ,HEX FLG
	[05] 3164108000	SEAL-INPUT OIL		M		1	1										06'0301		
	[06] 9538410200	PIN		M		2	2										06'0301		M10
	[08] 3152608000	PIN-DOWEL		M		2	2										06'0301		
	[09] 007603024105	RING-SEAL		M		2	2										06'0301		
	[10] 3111208000	PLUG-OIL DRAIN		M		1	1										06'0301		
	[11] 3111308000	PLUG-OIL FILLER		M		1	1										06'0301		
	[12] 3176108000	BOLT-INTERLOCK		M		1	1										06'0301		
	[13] 3111508000	SWITCH ASSY-BACK LIGHT		M		1	1										06'0301		
	[14] 3036021100	CYLINDER ASSY-CONCENTRIC SLAVE		M		1	1										06'0301		DMF
	[16] 3138021100	TUBE ASSY		M		1	1										06'0301	07'0131	
	Y	3138021101			M		1	1									07'0201		

3182 INPUT & OUTPUT SHAFT-TSM52(M/T,2WD)



3182 INPUT & OUTPUT SHAFT-TSM52(M/T,2WD)

I T C	KEY NO. PART NO	PART NAME OPTION	L / R	T / M	D R V	MODEL										EFF. DATE		REMARK		
						D2	E2	OD	3										FROM	TO
	[01] 3141008022	SHAFT SUB ASSY-INPUT			M			1	1									06'0301		
	[02] 3165008000	BEARING-TAPER ROLLER MAIN			M			1	1									06'0301		
	[03] 3166008000	BEARING-TAPER ROLLER MIDDLE			M			1	1									06'0301		
	[04] 3161108010	SPACER-INPUT			M			1	1									06'0301		T=0.75
	3161108020				M			1	1									06'0301		T=0.80
	3161108030				M			1	1									06'0301		T=0.85
	3161108040				M			1	1									06'0301		T=0.90
	3161108050				M			1	1									06'0301		T=0.95
	3161108060				M			1	1									06'0301		T=1.00
	3161108070				M			1	1									06'0301		T=1.05
	3161108080				M			1	1									06'0301		T=1.10
	3161108090				M			1	1									06'0301		T=1.15
	3161108100				M			1	1									06'0301		T=1.20
	3161108110				M			1	1									06'0301		T=1.25
	3161108120				M			1	1									06'0301		T=1.30
	3161108130				M			1	1									06'0301		T=1.35
	3161108140				M			1	1									06'0301		T=1.40
	3161108150				M			1	1									06'0301		T=1.45
	[05] 3162108010	RING-RETAIN 3ST & 4TH			M			1	1									06'0301		T=2.80
	3162108020				M			1	1									06'0301		T=2.85
	3162108030				M			1	1									06'0301		T=2.90
	3162108040				M			1	1									06'0301		T=2.95
	[06] 3142008003	SHAFT ASSY-OUTPUT			M			1	1									06'0301		
	[07] 3132008002	SYNCHRONIZER ASSY			M			1	1									06'0301		
	[08] 3131308001	SPRING-SYNCHRONIZER			M			6	6									06'0301		

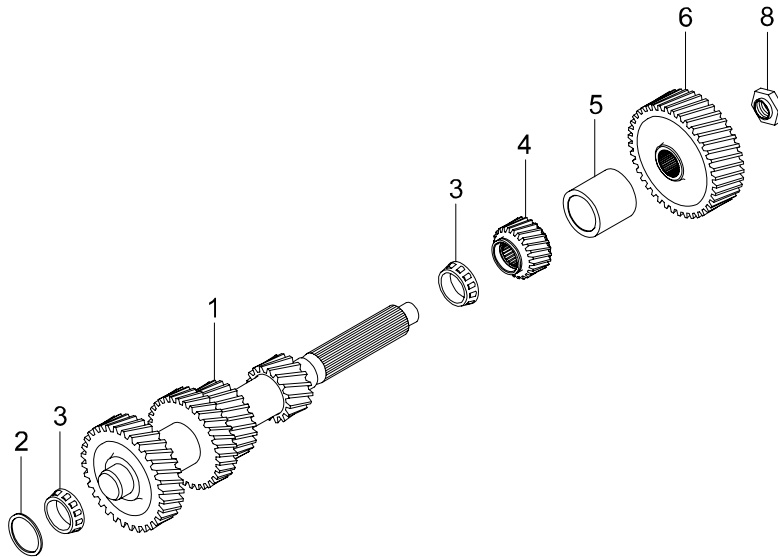
3182 INPUT & OUTPUT SHAFT-TSM52(M/T,2WD)

I T C	KEY NO. PART NO	PART NAME OPTION	L / R	T / M	D R V	MODEL										EFF. DATE		REMARK		
						D2	E2	0D	3										FROM	TO
	[09] 3131408000	KEY-SYNCHRO			M			9	9									06'0301		
	[10] 3125008010	GEAR ASSY-3RD			M			1	1									06'0301		
	[11] 3168408001	BEARING-NEEDLE			M			2	2									06'0301		
	[12] 3124008010	GEAR ASSY-2ND			M			1	1									06'0301		
	[13] 3134008000	CONE ASSY-DOUBLE 1ST			M			1	1									06'0301		
	[14] 3134008100	CONE ASSY-DOUBLE 2ND			M			1	1									06'0301		
	[15] 3134308000	RING-SYNCHRO INR			M			1	1									06'0301		
	[16] 3134208000	CONE-SYNCHRO MID			M			2	2									06'0301		
	[17] 3134108000	RING-SYNCHRO OTR			M			2	2									06'0301		
	[18] 3134108100	RING-SYNCHRO OTR			M			1	1									06'0301		
	[19] 3131108000	HUB-SYNCHRONIZER 1ST & 2ND			M			1	1									06'0301		
	[20] 3131208001	SLEEVE-DOUBLE SYNCHRO			M			1	1									06'0301		
	[21] 3131008001	SYNCHRONIZER ASSY			M			1	1									06'0301		
	[22] 3123008010	GEAR ASSY-1ST			M			1	1									06'0301		
	[23] 3122408000	RACE-INR 1ST			M			1	1									06'0301		

3182 INPUT & OUTPUT SHAFT-TSM52(M/T,2WD)

I T C	KEY NO. PART NO	PART NAME OPTION	L / R	T / M	D R V	MODEL										EFF. DATE		REMARK		
						D2	E2	OD	3										FROM	TO
	[24] 3165008000	BEARING-TAPER ROLLER MAIN			M			1	1									06'0301		
	[25] 3122308000	RACE-REVERSE INR			M			1	1									06'0301		
	[26] 3127008010	GEAR ASSY-REVERSE			M			1	1									06'0301		
	[27] 3168108000	BEARING-RVS IDLER NEEDLE			M			1	1									06'0301		
	[28] 3132208001	SLEEVE-SINGLE SYNCHRO			M			1	1									06'0301		
	[29] 3133108000	HUB-SYNCHRO 5TH & REV			M			1	1									06'0301		
	[30] 3132308001	RING-SYNCHRO OTR			M			2	2									06'0301		
	[31] 3133008002	SYNCHRONIZER ASSY			M			1	1									06'0301		
	[32] 3162308010	RING-RETAIN 5TH & REV			M			1	1									06'0301		T=2.55
	3162308020				M			1	1									06'0301		T=2.60
	3162308030				M			1	1									06'0301		T=2.65
	3162308040				M			1	1									06'0301		T=2.75
	3162308050				M			1	1									06'0301		T=2.75
	3162308060				M			1	1									06'0301		T=2.80
	3162308070				M			1	1									06'0301		T=2.90
	3162308080				M			1	1									06'0301		T=2.95
	3162308090				M			1	1									06'0301		T=3.00
	3162308100				M			1	1									06'0301		T=2.55
	[33] 3126008011	GEAR ASSY-5TH			M			1	1									06'0301		
	[34] 001481003017	PIN-SPRING			M			1	1									06'0301		3X6, PIN TYPE
	[35] 3168208000	BEARING-5TH NEEDLE			M			1	1									06'0301		

3183 COUNT SHAFT GEAR-TSM52(M/T,2WD)

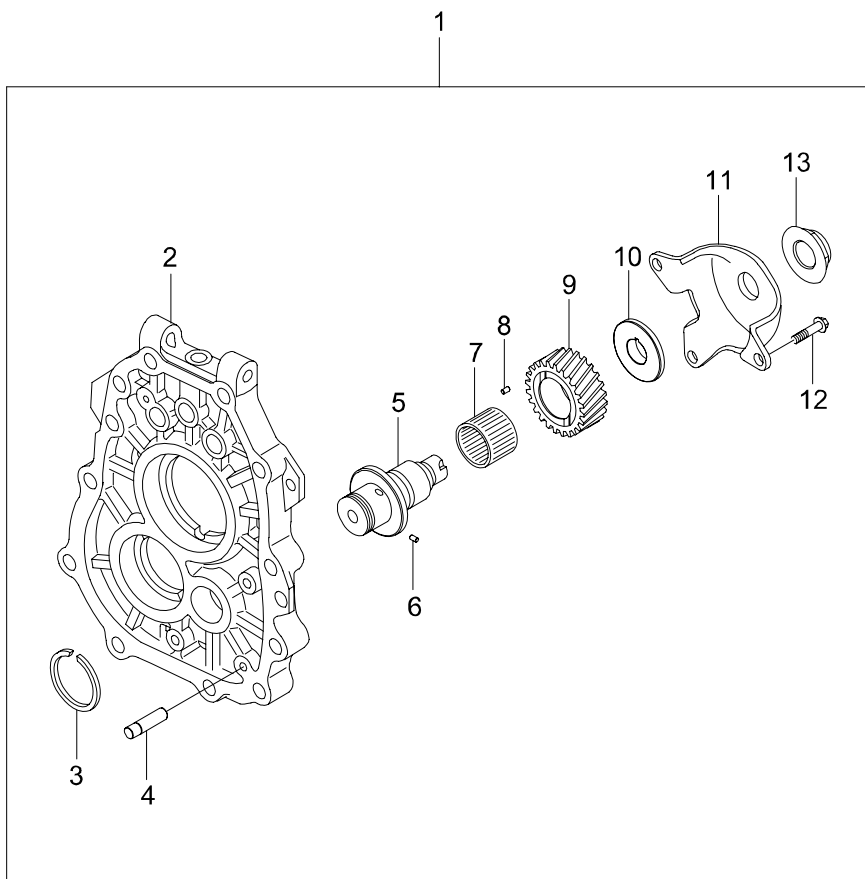


3183 - 01

3183 COUNT SHAFT GEAR-TSM52(M/T,2WD)

I T C	KEY NO. PART NO	PART NAME OPTION	L / R	T / M	D / R / V	MODEL										EFF. DATE		REMARK			
						D2	E2	OD	3											FROM	TO
	[01] 3151108010	SHAFT ASSY-COUNTER		M		1	1											06'0301		GEAR TEETH: 1(13), 2(22), 3(29), 4(33)	
	[02] 3161208010	SPACER-COUNTER		M		1	1											06'0301		T=0.40	
	3161208020			M		1	1											06'0301		T=1.15	
	3161208030			M		1	1											06'0301		T=1.20	
	3161208040			M		1	1											06'0301		T=1.25	
	3161208050			M		1	1											06'0301		T=1.30	
	3161208060			M		1	1											06'0301		T=1.35	
	3161208070			M		1	1											06'0301		T=1.40	
	3161208080			M		1	1											06'0301		T=1.45	
	3161208090			M		1	1											06'0301		T=1.50	
	3161208100			M		1	1											06'0301		T=1.55	
	[03] 3167008000	BEARING ASSY-COUNTER TAPER ROLLER		M		2	2											06'0301			
	[04] 3127208010	GEAR-COUNTER RVS		M		1	1											06'0301			
	[05] 3183708001	BUSH-COUNTER SHAFT		M		1	1											06'0301			
	[06] 3126308011	GEAR-COUNTER 5TH		M		1	1											06'0301			
	[08] 3152508010	LOCK NUT-COUNTER		M		1	1											06'0301			

3184 ADAPTOR ASSY-TSM52(M/T,2WD)



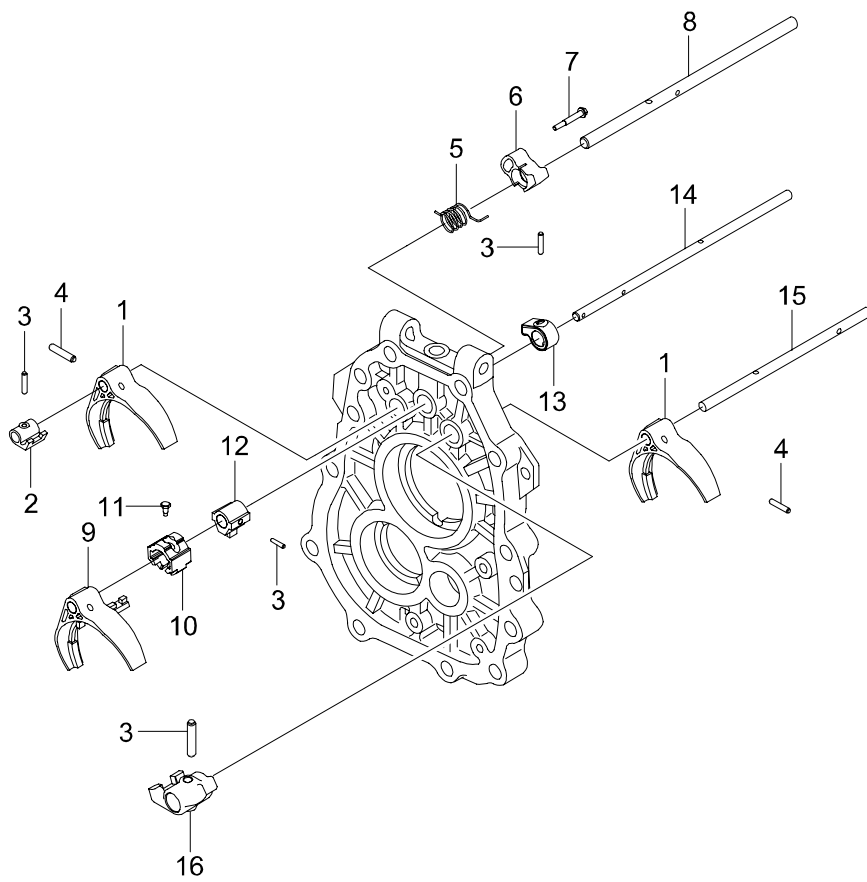
3184 ADAPTOR ASSY-TSM52(M/T,2WD)

I T C	KEY NO. PART NO	PART NAME OPTION	L / R	T / M	D R V	MODEL										EFF. DATE		REMARK		
						D2	E2	OD	3										FROM	TO
	[01] 3112008011	ADAPTOR ASSY-T/M		M		1	1										06'0301			
	[02] 3112108000	ADAPTOR-T/M		M		1	1										06'0301			
	[03] 3162208010	RING-RETAIN RVS IDLER		M		1	1										06'0301		T=1.70	
	3162208020			M		1	1										06'0301		T=1.75	
	3162208030			M		1	1										06'0301		T=1.80	
	3162208040			M		1	1										06'0301		T=1.85	
	3162208050			M		1	1										06'0301		T=1.90	
	3162208060			M		1	1										06'0301		T=1.95	
	3162208070			M		1	1										06'0301		T=2.00	
	3162208080			M		1	1										06'0301		T=2.05	
	3162208090			M		1	1										06'0301		T=2.10	
	3162208100			M		1	1										06'0301		T=2.15	
	3162208110			M		1	1										06'0301		T=2.20	
	3162208120			M		1	1										06'0301		T=2.25	
	3162208130			M		1	1										06'0301		T=2.30	
	[04] 3112208000	PIN		M		1	1										06'0301			
	[05] 3152108000	SHAFT-REVERSE IDLER		M		1	1										06'0301			
	[06] 3126408000	PIN-SPRING		M		1	1										06'0301		5MM, BALL TYPE	
	[07] 3168308000	BEARING-RVS IDLER NEEDLE		M		1	1										06'0301			
	[08] 3152608000	PIN-DOWEL		M		2	2										06'0301			
	[09] 3127308000	GEAR-REVERSE IDLER		M		1	1										06'0301			
	[10] 3152308001	SPACER-REVERSE IDLER		M		1	1										06'0301			

3184 ADAPTOR ASSY-TSM52(M/T,2WD)

I T C	KEY NO. PART NO	PART NAME OPTION	L / R	T / M	D R V	MODEL										EFF. DATE		REMARK		
						D2	E2	0D	3										FROM	TO
	[11] 3152408000	<i>BRKT-IDLER SHAFT</i>			M			1	1									06'0301		
	[12] 916270825D	<i>BOLT</i>			M			3	3									06'0301		M8X1.25X25 ,HEX FLG
	[13] 3152508000	<i>NUT</i>			M			1	1									06'0301		

3185 RAIL & SHIFT FORK-TSM52(M/T,2WD)



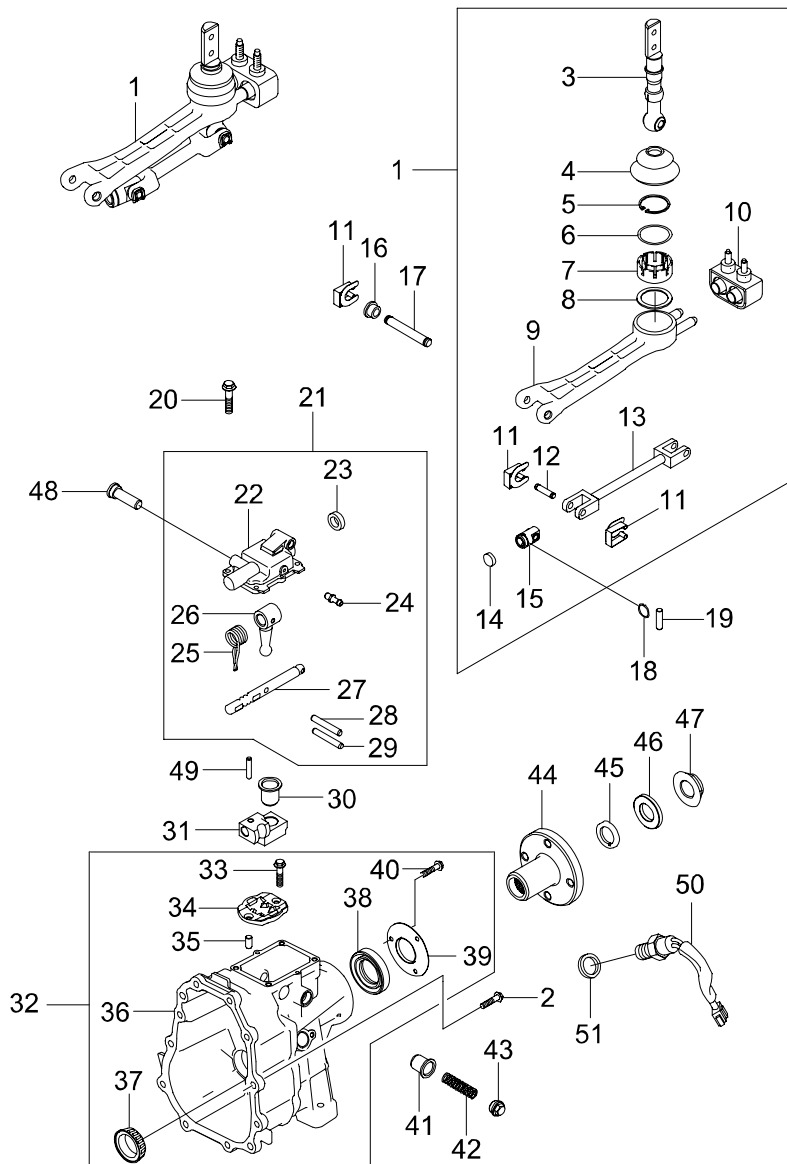
3185 RAIL & SHIFT FORK-TSM52(M/T,2WD)

I T C	KEY NO. PART NO	PART NAME OPTION	L / R	T / M	D R V	MODEL										EFF. DATE		REMARK		
						D2	E2	OD	3										FROM	TO
	[01] 3177208000	FORK-SHIFT			M			2	2									06'0301		
	[02] 3177308000	LUG-SHIFT 1ST & 2ND			M			1	1									06'0301		
	[03] 9532406256	PIN-SPRING			M			4	4									06'0301		M6
	[04] 9532406286	PIN-SPRING			M			2	2									06'0301		M6
	[05] 3174408001	SPRING-REVERSE LOCK			M			1	1									06'0301		
	[06] 3174208001	PLATE-REVERSE LOCK			M			1	1									06'0301		
	[07] 3174308000	BOLT			M			1	1									06'0301		
	[08] 3177108001	RAIL-SHIFT			M			1	1									06'0301		
	[09] 3172208001	FORK ASSY-SHIFT 3RD & 4TH			M			1	1									06'0301		
	[10] 3172508001	PLATE-INTERLOCK			M			1	1									06'0301		
	[11] 3176108000	BOLT-INTERLOCK			M			1	1									06'0301		
	[12] 3172408000	LEVER-INR SHIFT			M			1	1									06'0301		
	[13] 3174108000	PLATE-STOPPER			M			1	1									06'0301		
	[14] 3172108000	RAIL-SHIFT			M			1	1									06'0301		
	[15] 3178108000	RAIL-SHIFT			M			1	1									06'0301		

3185 RAIL & SHIFT FORK-TSM52(M/T,2WD)

I T C	KEY NO. PART NO	PART NAME OPTION	L / R	T / M	D R V	MODEL										EFF. DATE		REMARK			
						D2	E2	0D	3											FROM	TO
	[16] 3178308000	LUG-SHIFT 5TH & REV		M				1	1									06'0301			

3186 SHIFTER & EXTENSION-TSM52(M/T,2WD)



3186 SHIFTER & EXTENSION-TSM52(M/T,2WD)

I T C	KEY NO. PART NO	PART NAME OPTION	L / R	T / M	D R V	MODEL										EFF. DATE		REMARK		
						D2	E2	OD	3										FROM	TO
N	[01] 3183008110	LEVER ASSY-SEMI REMOTE			M			1	1									06'0301	06'0717	
	3183008111				M			1	1									06'0718		
	[02] 916281060D	BOLT			M			10	10									06'0301		M10X1.5X60 ,HEX FLG
	[03] 3184108010	LEVER ASSY-SHIFT			M			1	1									06'0301	06'0717	
	N 3184108011				M			1	1									06'0718		
	[04] 3184508000	BOOT-RUBBER			M			1	1									06'0301		
	[05] 3184408000	RING-RETAINING			M			1	1									06'0301		
	[06] 3184308000	RING-O			M			1	1									06'0301		
	[07] 3184208000	BEARING			M			1	1									06'0301		
	[08] 3184008000	SHIM			M			1	1									06'0301		
	[09] 3183808110	ARM-CONTROL HOUSING			M			1	1									06'0301		
	[10] 3183908000	DAMPER ASSY			M			1	1									06'0301		
	[11] 3183308000	WASHER-LOCK			M			4	4									06'0301		
	[12] 3184908020	SHAFT-EXTEND			M			2	2									06'0301		
[13] 3185508110	ROD-EXTEND			M			1	1									06'0301			
[14] 3184808000	DISC			M			1	1									06'0301			

3186 SHIFTER & EXTENSION-TSM52(M/T,2WD)

I T C	KEY NO. PART NO	PART NAME OPTION	L / R	T / M	D R V	MODEL										EFF. DATE		REMARK		
						D2	E2	0D	3										FROM	TO
	[15] 3184801010	ROD ASSY-JOINT			M			1	1									06'0301		
	[16] 3183108000	BUSH-T.G.S			M			2	2									06'0301		
	[17] 3183208000	PIN			M			1	1									06'0301		
	[18] 3183508000	RING-RETAIN			M			1	1									06'0301		
	[19] 3184908010	PIN-JOINT			M			1	1									06'0301		
	[20] 916270820D	BOLT			M			4	4									06'0301		M8X1.25X20 ,HEX FLG
	[21] 3181008052	COVER ASSY-TOP			M			1	1									06'0301	06'0717	
Y	3181008053				M			1	1									06'0718		
	[22] 3181121001	COVER-TOP			M			1	1									06'0301		
	[23] 3164308000	SEAL-OIL CONTROL			M			1	1									06'0301		
	[24] 3181508000	VENT-AIR			M			1	1									06'0301		
	[25] 3181408000	SPRING-RETURN			M			1	1									06'0301		
	[26] 3181308000	LEVER-SHIFT			M			1	1									06'0301		
	[27] 3181208012	SHAFT-SHIFT			M			1	1									06'0301		
	[28] 3181608000	PIN-SPRING			M			1	1									06'0301		
	[29] 3181708000	PIN-SPRING			M			1	1									06'0301		

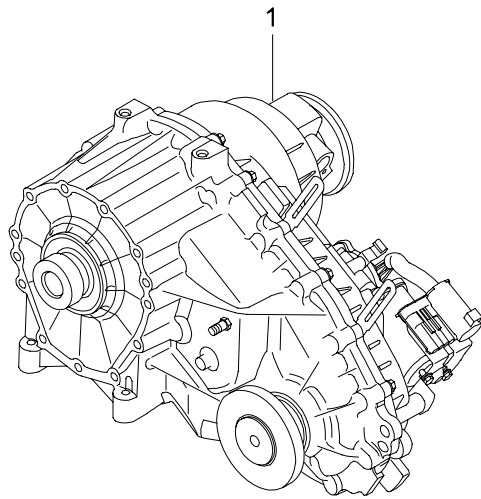
3186 SHIFTER & EXTENSION-TSM52(M/T,2WD)

I T C	KEY NO. PART NO	PART NAME OPTION	L / R	T / M	D / R / V	MODEL										EFF. DATE		REMARK			
						D2	E2	OD	3											FROM	TO
	[30] 3175208000	BUSH-OFFSET LEVER		M		1	1											06'0301			
	[31] 3175408010	LEVER-OFFSET CONTROL		M		1	1											06'0301			
	[32] 3114008020	HOUSING ASSY-EXTENSION		M		1	1											06'0301	06'0306		
N	3114008010			M		1	1											06'0307		WITHOUT ROLLER BEARING(3155008000)	
	[33] 000963006046	SCREW-COUNTER SUNK		M		2	2											06'0301			
	[34] 3175308000	PLATE-OFFSET		M		1	1											06'0301			
	[35] 3152608000	PIN-DOWEL		M		2	2											06'0301			
	[36] 3114121010	HOUSING-EXTENTION		M		1	1											06'0301			
	[37] 3154008000	BEARING ASSY-COUNTER ROLLER		M		1	1											06'0301	06'0306		
N	3155008000	BALL BEARING		M		1	1											06'0307		WITHOUT EXTENSION HOUSING ASSY	
	[38] 3164208000	SEAL-OUTPUT OIL 2WD		M		1	1											06'0301		41 * 62 * 11	
	[39] 3153108000	BRKT-RR COVER		M		1	1											06'0301			
	[40] 9101406161	BOLT		M		1	1											06'0301		M6X1.0	
	[41] 3182308000	PLUNGER-ROLLING		M		2	2											06'0301			
	[42] 3182108001	SPRING-RETURN		M		2	2											06'0301			
	[43] 3182208000	PLUG-SPRING		M		2	2											06'0301			

3186 SHIFTER & EXTENSION-TSM52(M/T,2WD)

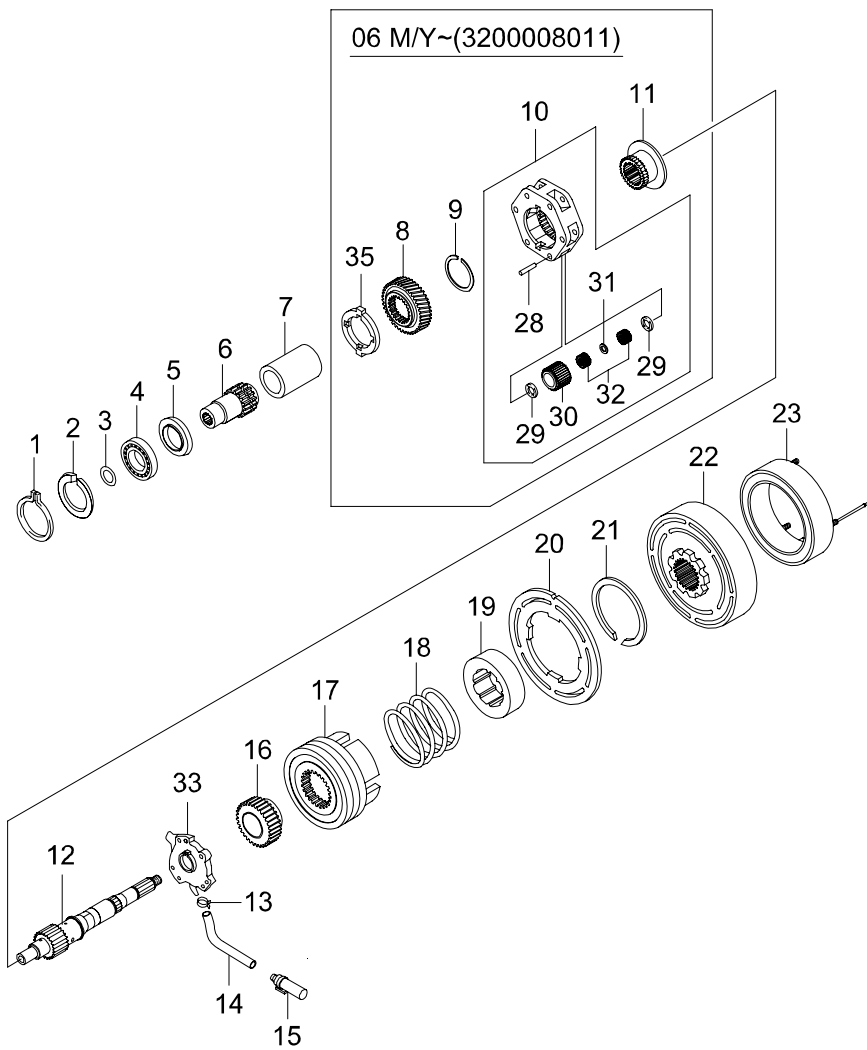
I T C	KEY NO. PART NO	PART NAME OPTION	L / R	T / M	D R V	MODEL										EFF. DATE		REMARK			
						D2	E2	0D	3											FROM	TO
	[44] 3152808000	FLANGE-RR			M			1	1									06'0301			
	[45] 3153008000	SEAL-OIL RR			M			1	1									06'0301			
	[46] 3152908000	WASHER			M			1	1									06'0301			
	[47] 3152708000	NUT-LOCK			M			1	1									06'0301			
	[48] 3176208001	PIN-DETENT			M			1	1									06'0301			
	[49] 9532406256	PIN-SPRING			M			1	1									06'0301			
	[50] 6615453006	SWITCH ASSY-T/M BACK UP LAMP			M			1	1									06'0301	07'0429		
Y	6655450006				M			1	1									07'0430			
	[51] 007603016102	RING-SEAL			M			1	1									06'0301			

3240 TRANSFER CASE;P/TIME



3240 - 01

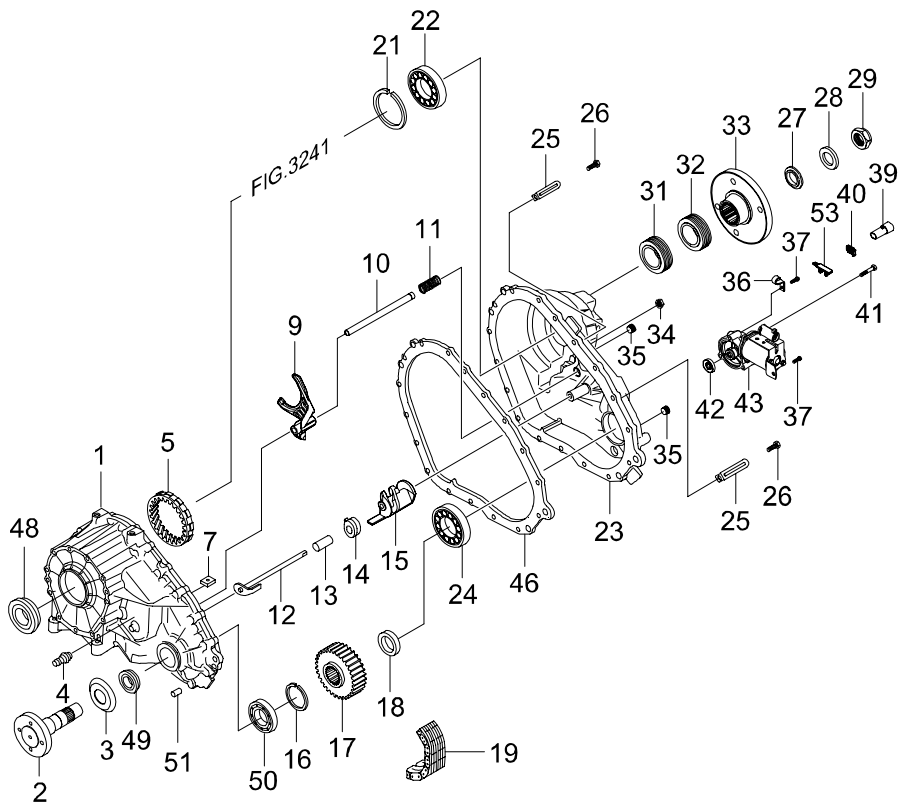
3241 TRANSFER CASE;P/TIME(1)



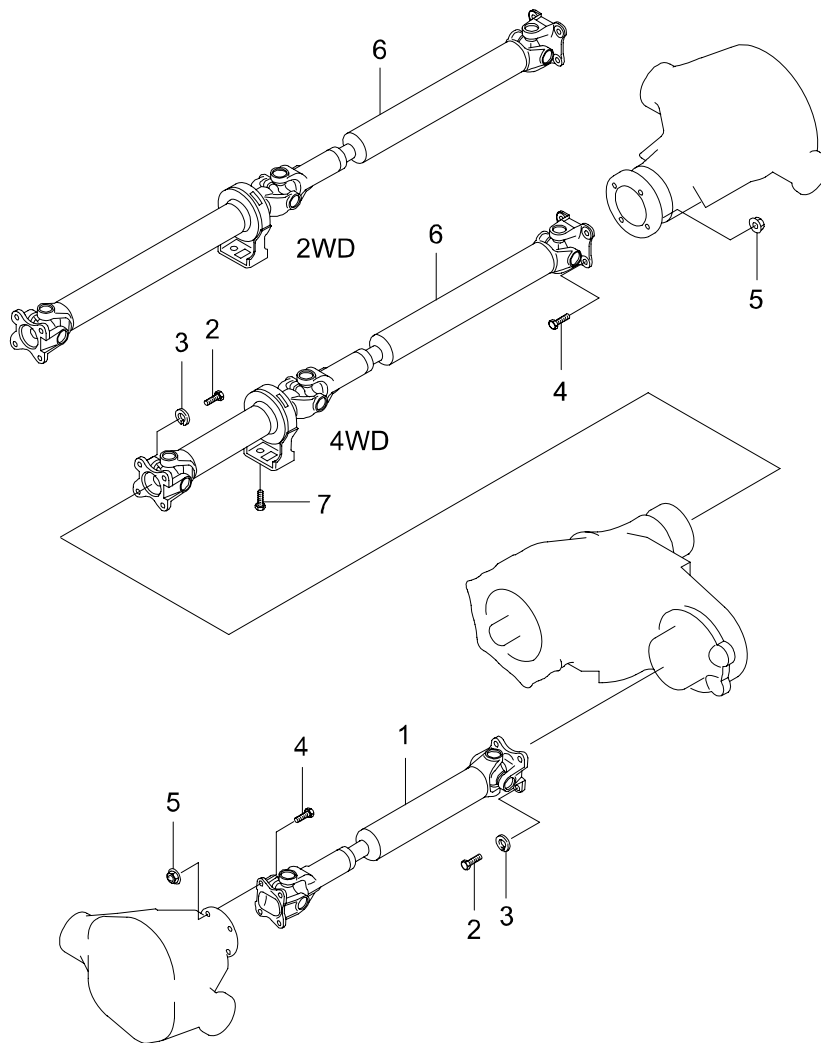
3241 TRANSFER CASE;P/TIME(1)

I T C	KEY NO. PART NO	PART NAME OPTION	L / R	T / M	D R V	MODEL										EFF. DATE		REMARK		
						D2	E2	OD	3										FROM	TO
	[01] 1900.139.079	RING-SNAP																06'0301		
	[02] 1000.139.043	RING-RETAINING																06'0301		
	[03] 1900.139.042	RING-SNAP																06'0301		
	[04] 1900.130.015	BEARING																06'0301		
	[05] 4426.179.001	HUB																06'0301		
	[06] 4426.689.001	SHAFT ASSY-INPUT																06'0301	06'0714	
Y	4426.189.001																	06'0715		
	[07] 4426.055.001	COLLAR																06'0301	06'0714	T/C(3200031000) USE
	[08] 4426.165.001	GEAR-SUN																06'0715		06M/Y
	[09] 1900.139.078	RING-SNAP																06'0715		06M/Y
	[10] 1354.659.002	CARRIER ASSY																06'0715		06M/Y
	[11] 1354.089.002	HUB-REDUCTION																06'0715		06M/Y
	[12] 4423.171.001	SHAFT-MAIN																06'0301		
	[13] 1900.056.007	CLAMP																06'0301		
	[14] 1900.034.008	HOSE																06'0301		

3242 TRANSFER CASE;P/TIME(2)

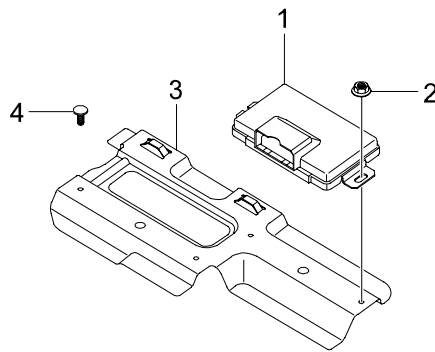
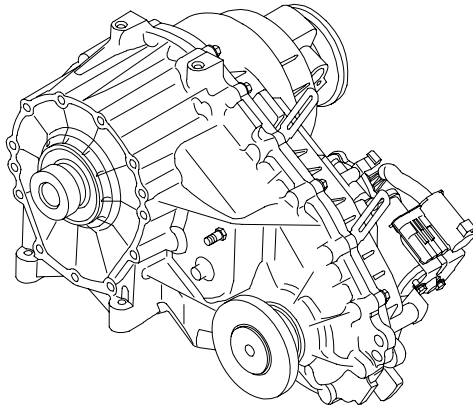


3310 PROPELLER SHAFT



3310 - 01

3410 SPEEDOMETER SENSOR & TCU

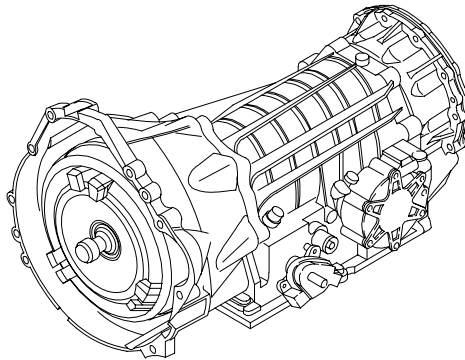


3410 - 01

3640 AUTOMATIC TRANSMISSION(BTR M74)

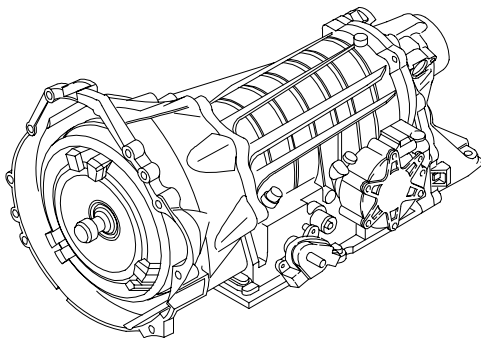
1

4WD



2

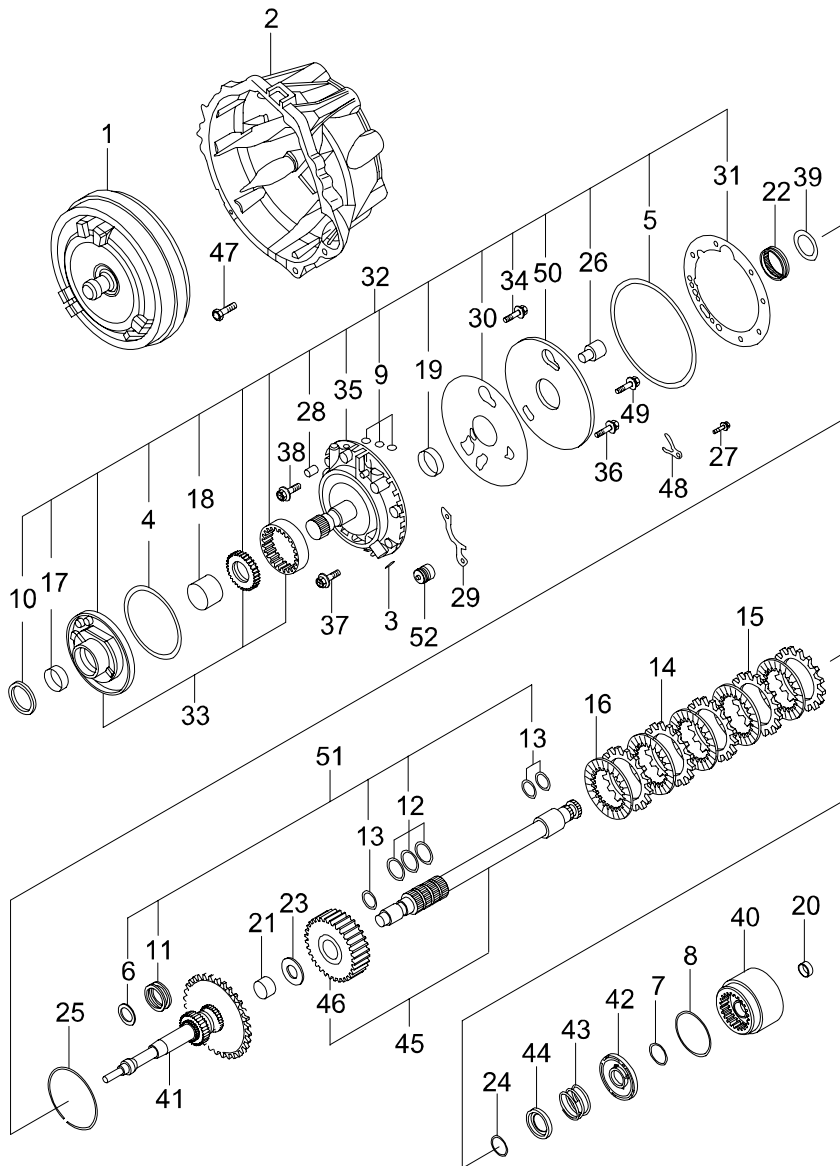
2WD



3640 AUTOMATIC TRANSMISSION(BTR M74)

I T C	KEY NO. PART NO	PART NAME OPTION	L / R	T / M	D R V	MODEL										EFF. DATE		REMARK		
						D2	E2	0D	3										FROM	TO
	[01] 3610031000 3610031060	A/T ASSY 4WD 4WD			A A		1 1										06'0301 06'0715	SRC:0574-000042		
	[02] 3610031010 3610031070	A/T ASSY 2WD 2WD			A A		1 1										06'0301 06'1121	SRC:0574-000043		

3641 CONVERTER HOUSING & OIL PUMP(BTR M74)



3641 CONVERTER HOUSING & OIL PUMP(BTR M74)

I T C	KEY NO. PART NO	PART NAME OPTION	L / R	T / M	D R V	MODEL										EFF. DATE		REMARK		
						D2	E2	0D	3										FROM	TO
	[16] 0593-666022	<i>DISC-CLUTCH</i>			A		5	5										06'0301		
	[17] 0585-427002	<i>BUSH</i>			A		1	1										06'0301		
	[18] 0593-427016	<i>BUSH</i>			A		1	1										06'0301		
	[19] 0585-427004	<i>BUSH</i>			A		1	1										06'0301		
	[20] 0585-427006	<i>BUSH</i>			A		1	1										06'0301		
	[21] 0585-427007	<i>BUSH</i>			A		1	1										06'0301		
	[22] 0585-132022	<i>BEARING-NEEDLE</i>			A		1	1										06'0301		
	[23] 0585-193071	<i>WASHER</i>			A		1	1										06'0301		
	[24] 0585-139005	<i>RING-RETAINING</i>			A		1	1										06'0301		
	[25] 0585-139017	<i>RING-SNAP</i>			A		2	2										06'0301		
	[26] 0593-640076	<i>SOLENOID</i>			A		1	1										06'0301		
	[27] 0585-183141	<i>SCREW</i>			A		1	1										06'0301		
	[28] 0593-043093	<i>PIN</i>			A		1	1										06'0301		
	[29] 0591-640055	<i>PLATE ASSY-CONTACT</i>			A		1	1										06'0301		
	[30] 0574-045076	<i>GASKET</i>			A		1	1										06'0301		

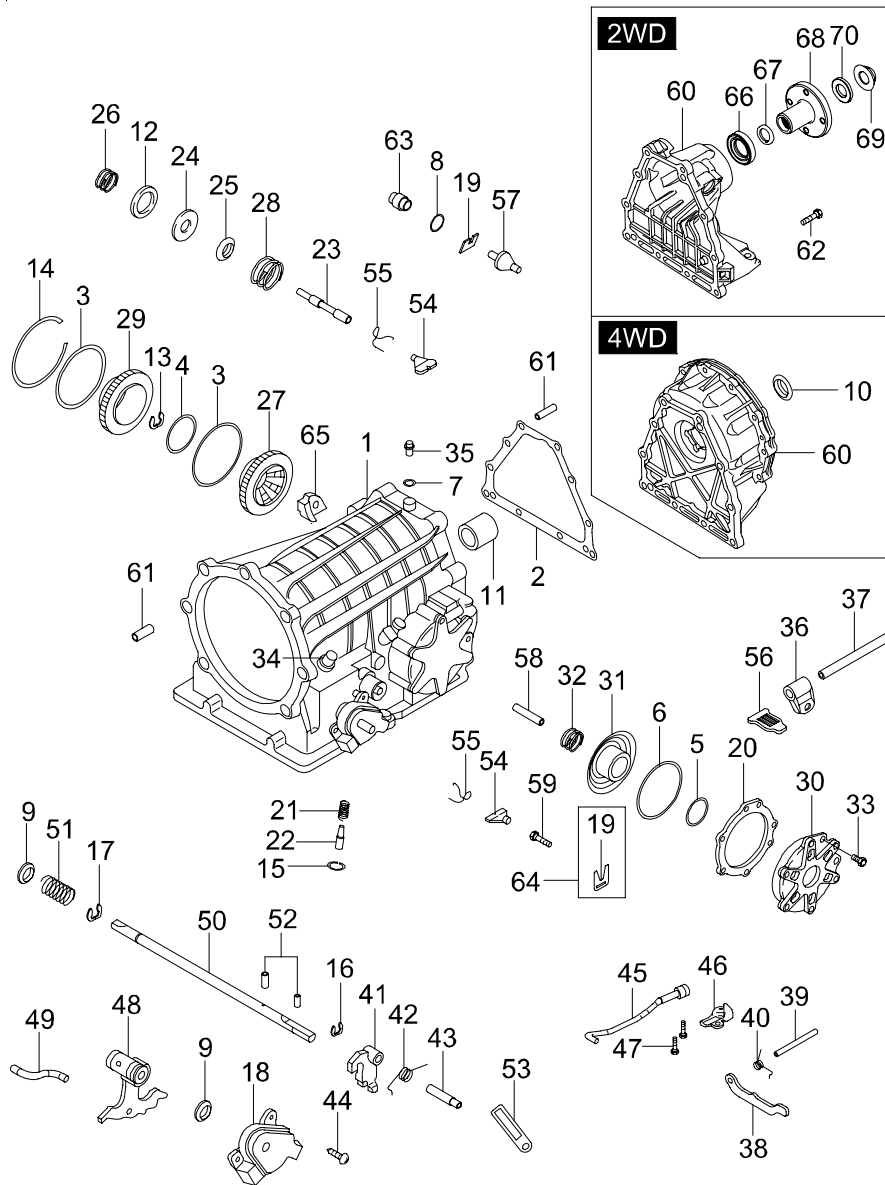
3641 CONVERTER HOUSING & OIL PUMP(BTR M74)

I T C	KEY NO. PART NO	PART NAME OPTION	L / R	T / M	D R V	MODEL										EFF. DATE		REMARK		
						D2	E2	OD	3										FROM	TO
	[31] 0574-045077	GASKET			A			1	1									06'0301		
	[32] 0574-508062	PUMP ASSY			A			1	1									06'0301		
	[33] 0593-508061	PUMP ASSY			A			1	1									06'0301		
	[34] 0585-183135	BOLT			A			1	1									06'0301		
	[35] 0574-539069	COVER ASSY-PUMP			A			1	1									06'0301		
	[36] 0585-183124	BOLT			A			5	5									06'0301		
	[37] 0585-183125	BOLT			A			6	6									06'0301		
	[38] 0591-183159	BOLT			A			2	2									06'0301		
	[39] 0585-037001	SHIM			A			1	1									06'0301		
	0585-037002				A			1	1									06'0301		
	0585-037003				A			1	1									06'0301		
	[40] 0574-625018	CYLINDER ASSY-CLUTCH MASTER			A			1	1									06'0301		
	[41] 0574-689019	SHAFT ASSY-INPUT			A			1	1									06'0301		
	[42] 0593-624030	PISTON ASSY-CLUTCH			A			1	1									06'0301		
	[43] 0591-156146	SPRING			A			1	1									06'0301		
	[44] 0585-040028	RETAINER-SPRING			A			1	1									06'0301		

3641 CONVERTER HOUSING & OIL PUMP(BTR M74)

I T C	KEY NO. PART NO	PART NAME OPTION	L / R	T / M	D R V	MODEL										EFF. DATE		REMARK		
						D2	E2	0D	3										FROM	TO
	[45] 0591-689018	<i>SHAFT ASSY-OVERDRIVE</i>			A		1	1										06'0301		
	[46] 0585-090022	<i>HUB-CLUTCH</i>			A		1	1										06'0301		
	[47] 0585-183137	<i>BOLT</i>			A		9	9										06'0301		
	[48] 0593-107004	<i>RETAINER-SOLENOID</i>			A		1	1										06'0301		
	[49] 0585-183141	<i>SCREW</i>			A		5	5										06'0301		
	[50] 0574-014044	<i>PLATE-PUMP COVER</i>			A		1	1										06'0301		
	[51] 0555-334786	<i>SEAL KIT-METAL & TEFLON</i>			A		1	1										06'0301		
	[52] 0585-113036	<i>PLUG</i>			A		1	1										06'0301		

3642 TRANSMISSION HOUSING(BTR M74)



3642 TRANSMISSION HOUSING(BTR M74)

I T C	KEY NO. PART NO	PART NAME OPTION	L / R	T / M	D R V	MODEL										EFF. DATE		REMARK		
						D2	E2	0D	3										FROM	TO
	[16] 0555-139174	<i>RING-RETAINING</i>			A			1	1									06'0301		
	[17] 0540-139005	<i>RING-RETAINING</i>			A			1	1									06'0301		
	[18] 0593-640105	<i>SWITCH ASSY-INHIBITOR</i>			A			1	1									06'0301		
	[19] 0574-037017	<i>SHIM</i>			A			1	1									06'0301		T=0.95-1.05
	0574-037018				A			1	1									06'0301		T=1.15-1.25
	0574-037019				A			1	1									06'0301		T=1.44-1.56
	0574-037020				A			1	1									06'0301		T=1.73-1.87
	0574-037021				A			1	1									06'0301		T=1.93
	0574-037022				A			1	1									06'0301		T=2.12-2.28
	0574-037023				A			1	1									06'0301		T=2.42-2.58
	0574-037024				A			1	1									06'0301		T=2.61-2.79
	0574-037026				A			1	1									06'0301		T=3.0
	[20] 0593-045064	<i>GASKET-RR SERVO COVER</i>			A			1	1									06'0301		
	[21] 0585-156129	<i>SPRING</i>			A			1	1									06'0301		
	[22] 0585-237069	<i>VALVE-BIR EXHAUST</i>			A			1	1									06'0301		
	[23] 0585-190022	<i>ROD-FRT SERVO PUSH</i>			A			1	1									06'0301		
	[24] 0585-156125	<i>SPRING</i>			A			1	1									06'0301		
	[25] 0593-040040	<i>SEAT-SPRING</i>			A			1	1									06'0301		
	[26] 0585-156116	<i>SPRING</i>			A			1	1									06'0301		
	[27] 0585-124011	<i>PISTON-FRT SERVO</i>			A			1	1									06'0301		

3642 TRANSMISSION HOUSING(BTR M74)

I T C	KEY NO. PART NO	PART NAME OPTION	L / R	T / M	D R V	MODEL										EFF. DATE		REMARK		
						D2	E2	OD	3										FROM	TO
	[28] 0593-156147	SPRING			A			1	1									06'0301		
	[29] 0591-039001	COVER-FRT SERVO			A			1	1									06'0301		
	[30] 0593-039002	COVER ASSY-RR SERVO			A			1	1									06'0301		
	[31] 0585-124023	PISTON-RR SERVO			A			1	1									06'0301		
	[32] 0585-156107	SPRING			A			1	1									06'0301		
	[33] 0593-183175	BOLT			A			6	6									06'0301		
	[34] 0574-188020	CONNECTOR			A			2	2									06'0301		
	[35] 0552-072006	BREATHER			A			1	1									06'0301		
	[36] 0585-098057	LEVER-RR SERVO			A			1	1									06'0301		
	[37] 0574-043090	PIN			A			1	1									06'0301		
	[38] 0574-504008	PAWL-PARKING BRAKE			A			1	1									06'0301		
	[39] 0574-043091	PIN			A			1	1									06'0301		
	[40] 0574-156160	SPRING			A			1	1									06'0301		
	[41] 0585-098063	LEVER ASSY-PARKING BRAKE ROD			A			1	1									06'0301		
	[42] 0585-156104	SPRING			A			1	1									06'0301		

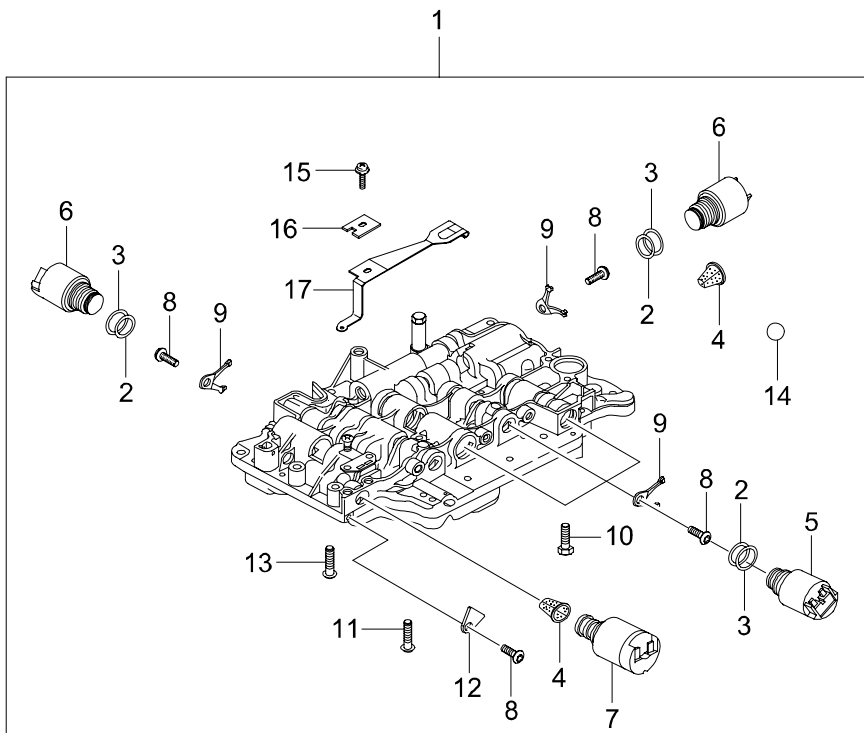
3642 TRANSMISSION HOUSING(BTR M74)

I T C	KEY NO. PART NO	PART NAME OPTION	L / R	T / M	D R V	MODEL										EFF. DATE		REMARK		
						D2	E2	0D	3										FROM	TO
	[43] 0585-043074	<i>PIN</i>			A		1	1										06'0301		
	[44] 0540-183062	<i>SCREW</i>			A		2	2										06'0301		
	[45] 0574-690011	<i>ROD ASSY-ACTUATING</i>			A		1	1										06'0301		
	[46] 0574-099028	<i>PLATE-CAM RETAINING</i>			A		1	1										06'0301		
	[47] 0585-183132	<i>SCREW</i>			A		2	2										06'0301		
	[48] 0593-598064	<i>LEVER ASSY-MANUAL VALVE DETENT</i>			A		1	1										06'0301		
	[49] 0585-190138	<i>LINK-MANUAL VALVE ACTUATING</i>			A		1	1										06'0301		
	[50] 0574-122011	<i>SHAFT-MANUAL VALVE DETENT</i>			A		1	1										06'0301		
	[51] 0555-156025	<i>SPRING</i>			A		1	1										06'0301		
	[52] 0585-043078	<i>PIN</i>			A		2	2										06'0301		
	[53] 0574-056062	<i>CLIP</i>			A		1	1										06'0301		
	[54] 0593-190033	<i>STRUT-FRT BAND</i>			A		2	2										06'0301		
	[55] 0593-056046	<i>RETAINER</i>			A		2	2										06'0301		
	[56] 0585-190027	<i>STRUT-APPLY</i>			A		1	1										06'0301		
	[57] 0593-190035	<i>STRUT-RR SERVO ANCHOR</i>			A		1	1										06'0301		

3642 TRANSMISSION HOUSING(BTR M74)

I T C	KEY NO. PART NO	PART NAME OPTION	L / R	T / M	D R V	MODEL										EFF. DATE		REMARK		
						D2	E2	OD	3										FROM	TO
	[58] 0585-190028	<i>ROD-RR SERVO</i>			A		1	1										06'0301		
	[59] 0593-190034	<i>ANCHOR-STRUT</i>			A		1	1										06'0301		
	[60] 0574-566056	<i>HOUSING ASSY-ADAPTOR</i> 4WD			A		1	1										06'0301		
	0574-566053	2WD			A		1											06'0301		
	[61] 0574-043092	<i>PIN-DOWEL</i>			A		2	2										06'0301		
	[62] 0574-183221	<i>BOLT</i> 4WD			A		11	11										06'0301	M8X1.25, 93MM	
	0574-183214	2WD			A		10											06'0301	M8X1.25, 33MM	
	[63] 0593-052010	<i>PLUG-FILLER</i>			A		1	1										06'0301		
	[64] 0555-334782	<i>SHIM KIT-BAND ADJUSTING</i>			A		1	1										06'0301		
	[65] 0585-113033	<i>PLUG-FRONT SERVO</i>			A		1	1										06'0301		
	[66] 0572-132028	<i>BEARING-NEEDLE ROLLER</i> 2WD			A		1	1										06'0301		
	[67] 0593-044145	<i>SEAL-OIL</i>			A		1											06'0301	2WD ONLY	
	[68] 0574-031004	<i>FLANGE ASSY-OUTPUT</i> 2WD			A		1											06'0301		
	[69] 0574-149043	<i>NUT</i> 2WD			A		1											06'0301		
	[70] 0585-141017	<i>RING-O</i> 2WD			A		1											06'0301		

3643 VALVE BODY(BTR M74)



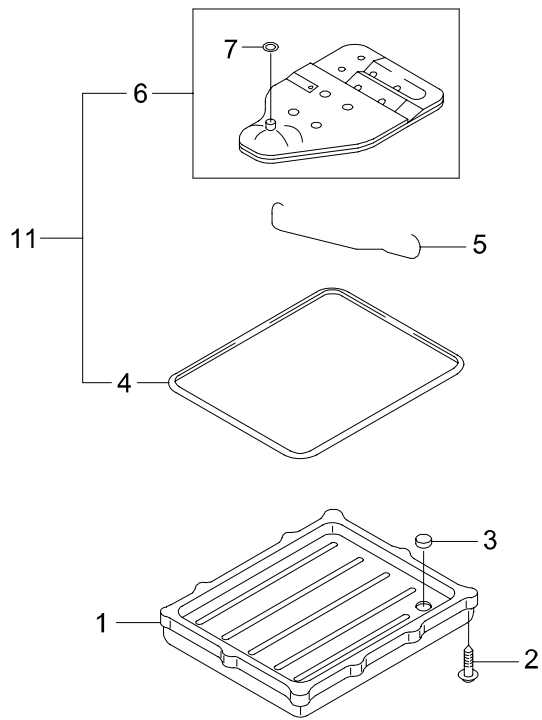
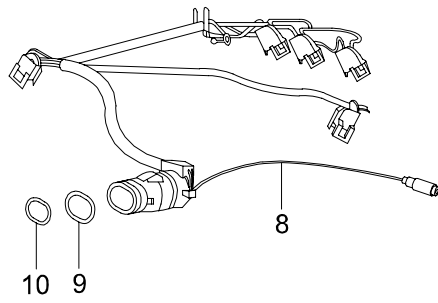
3643 VALVE BODY(BTR M74)

I T C	KEY NO. PART NO	PART NAME OPTION	L / R	T / M	D R V	MODEL										EFF. DATE		REMARK		
						D2	E2	OD	3										FROM	TO
	[01] 0574-736090	BODY ASSY-VALVE			A			1	1									06'0301		
	[02] 0585-141037	RING-O			A			1	1									06'0301		
	[03] 0585-141039	RING-O			A			1	1									06'0301		
	[04] 0591-238007	FILTER-SOLENOID			A			1	1									06'0301		
	[05] 0593-640076	SOLENOID			A			3	3									06'0301		
	[06] 0585-640029	SOLENOID			A			3	3									06'0301		
	[07] 0593-640078	SOLENOID			A			1	1									06'0301		
	[08] 0585-183141	SCREW			A			1	1									06'0301		
	[09] 0585-056040	RETAINER-SOLENOID			A			6	6									06'0301		
	[10] 0591-183160	BOLT			A			1	1									06'0301		
	[11] 0585-183152	SCREW			A			1	1									06'0301		
	[12] 0593-107004	RETAINER-SOLENOID			A			1	1									06'0301		
	[13] 0585-183153	SCREW			A			5	5									06'0301		
	[14] 0585-109004	BALL-NYLON			A			1	1									06'0301		
	[15] 0585-183132	SCREW			A			1	1									06'0301		

3643 VALVE BODY(BTR M74)

I T C	KEY NO. PART NO	PART NAME OPTION	L / R	T / M	D R V	MODEL										EFF. DATE		REMARK		
						D2	E2	0D	3										FROM	TO
	[16] 0585-040034	<i>RETAINER-DETENT SPRING</i>			A		1	1										06'0301		
	[17] 0585-656006	<i>SPRING ASSY-DETENT</i>			A		1	1										06'0301		

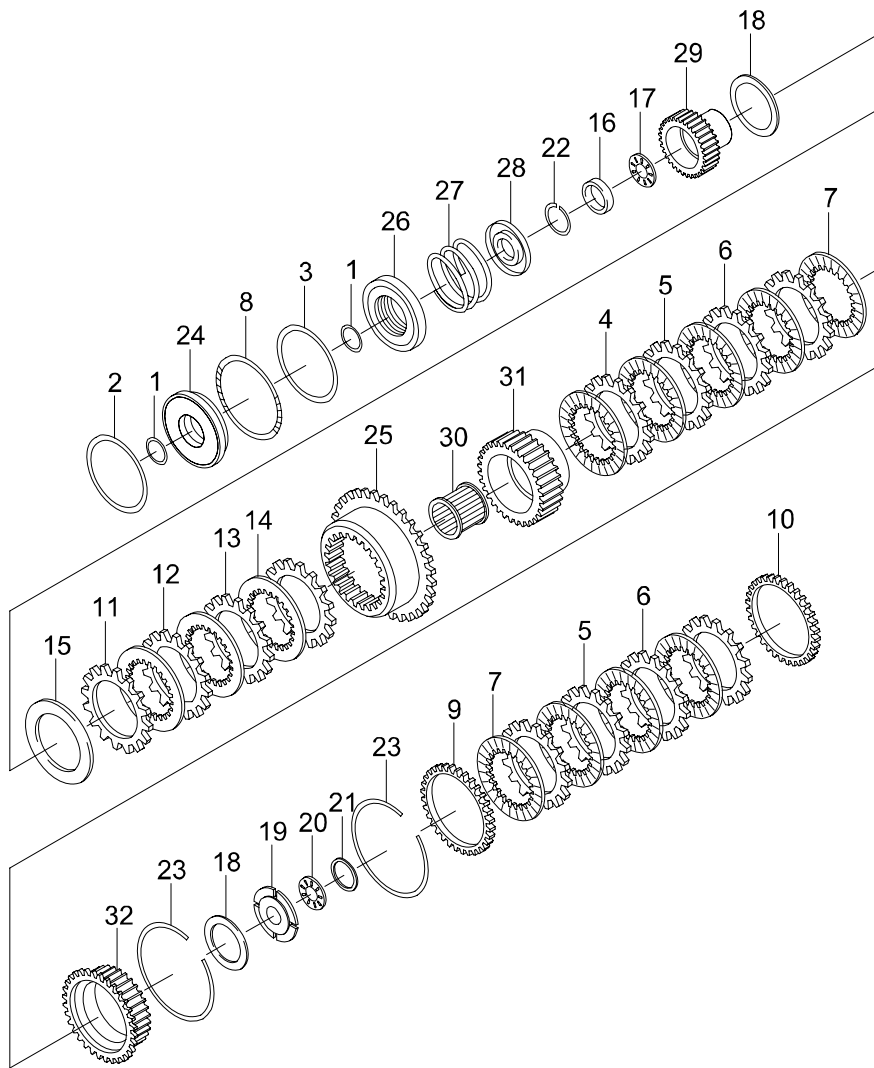
3644 OIL PAN(BTR M74)



3644 OIL PAN(BTR M74)

I T C	KEY NO. PART NO	PART NAME OPTION	L / R	T / M	D R V	MODEL										EFF. DATE		REMARK		
						D2	E2	0D	3										FROM	TO
	[01] 0574-513008	PAN-OIL			A			1	1									06'0301		
	[02] 0585-683011	SCREW			A			9										06'0301	06'0302	
Y	0505-683004				A			9	9									06'0303		
	[03] 0540-012001	MAGNET			A			1	1									06'0301		
	[04] 0585-045045	GASKET-OIL PAN			A			1	1									06'0301		
	[05] 0593-056059	CLIP			A			1	1									06'0301		
	[06] 0572-738004	FILTER ASSY-OIL			A			1	1									06'0301		
	[07] 0555-332222	FILTER-MULTILIP			A			1	1									06'0301		
	[08] 0593-640084	WIRING ASSY-ROOM			A			1	1									06'0301		
	[09] 0593-141017	RING-O			A			1	1									06'0301		
	[10] 0593-141065	RING-O			A			1	1									06'0301		
	[11] 0555-334783	FILTER SERVICE KIT			A			1	1									06'0301		

3645 CLUTCH(BTR M74)



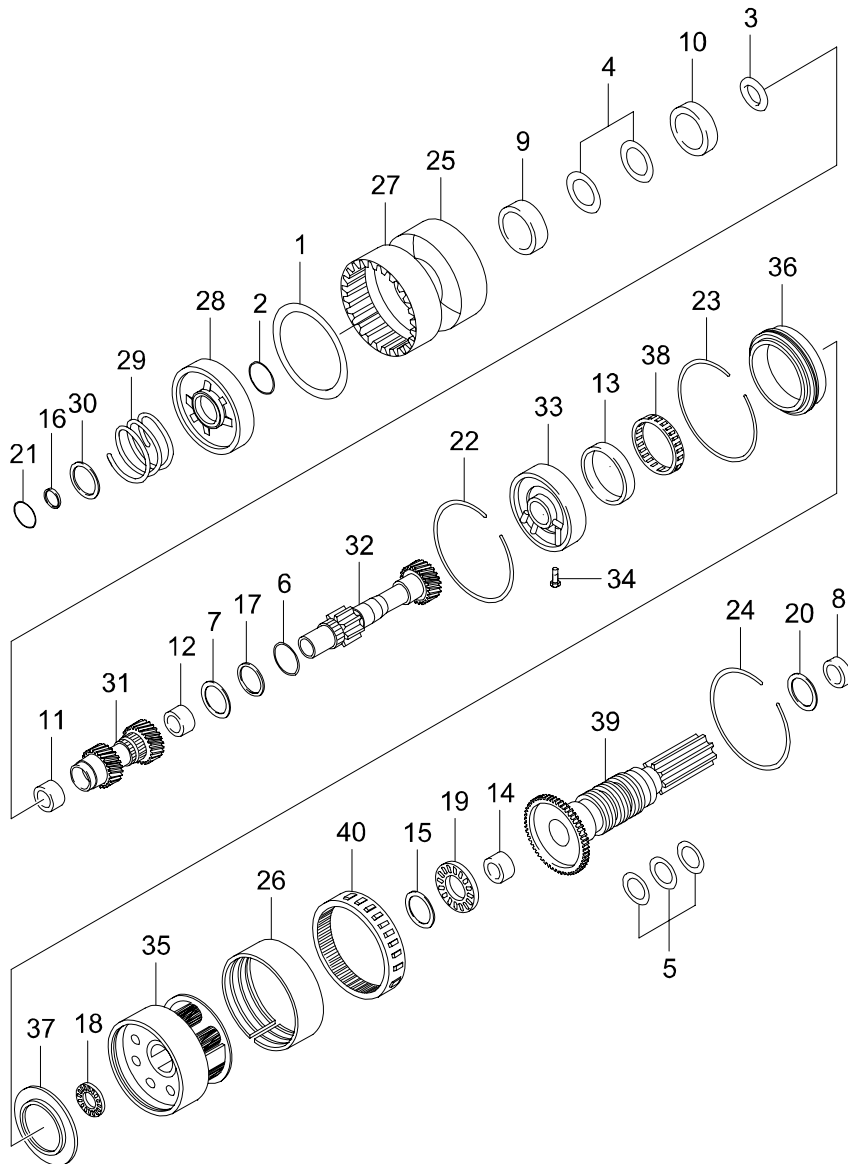
3645 CLUTCH(BTR M74)

I T C	KEY NO. PART NO	PART NAME OPTION	L / R	T / M	D R V	MODEL										EFF. DATE		REMARK		
						D2	E2	OD	3										FROM	TO
	[01] 0585-141018	RING-O			A		2	2										06'0301		
	[02] 0585-141021	RING-O			A		1	1										06'0301		
	[03] 0585-141036	RING-O			A		1	1										06'0301		
	[04] 0585-166026	DISC-CLUTCH OTR			A		1	1										06'0301		
	[05] 0585-166007	DISC-CLUTCH OTR			A		1	1										06'0301		
	[06] 0585-166008	DISC-CLUTCH OTR			A		1	1										06'0301		
	[07] 0585-666007	DISC-CLUTCH			A		4	4										06'0301		
	[08] 0574-050026	WASHER			A		1	1										06'0301		
	[09] 0593-062018	PLATE-CLUTCH			A		1	1										06'0301		
	[10] 0593-050025	WASHER-WAVE			A		1	1										06'0301		
	[11] 0585-166030	DISC-CLUTCH OTR			A		3	3										06'0301		
	[12] 0585-166037	DISC-CLUTCH OTR			A		1	1										06'0301		
	[13] 0585-166036	DISC-CLUTCH OTR			A		1	1										06'0301		
	[14] 0585-666010	DISC-CLUTCH OTR			A		3	3										06'0301		
	[15] 0593-050023	WASHER-WAVE			A		1	1										06'0301		

3645 CLUTCH(BTR M74)

I T C	KEY NO. PART NO	PART NAME OPTION	L / R	T / M	D R V	MODEL										EFF. DATE		REMARK		
						D2	E2	0D	3										FROM	TO
	[16] 0585-193066	<i>PLATE-THRUST</i>			A			1	1									06'0301		
	[17] 0585-132011	<i>BEARING-NEEDLE</i>			A			1	1									06'0301		
	[18] 0585-193072	<i>WASHER</i>			A			1	1									06'0301		
	[19] 0585-193076	<i>PLATE-THRUST</i>			A			1	1									06'0301		
	[20] 0585-132011	<i>BEARING-NEEDLE</i>			A			1	1									06'0301		
	[21] 0585-193080	<i>PLATE-THRUST</i>			A			1	1									06'0301		
	[22] 0585-139005	<i>RING-RETAINING</i>			A			1	1									06'0301		
	[23] 0585-139017	<i>RING-SNAP</i>			A			1	1									06'0301		
	[24] 0593-124038	<i>PISTON ASSY-CLUTCH</i>			A			1	1									06'0301		
	[25] 0585-103061	<i>SLEEVE-ACTUATING CLUTCH</i>			A			1	1									06'0301		
	[26] 0593-124030	<i>PISTON ASSY-CLUTCH</i>			A			1	1									06'0301		
	[27] 0585-156092	<i>SPRING</i>			A			1	1									06'0301		
	[28] 0585-040027	<i>RETAINER-SPRING</i>			A			1	1									06'0301		
	[29] 0585-090025	<i>HUB-CLUTCH MACHINING</i>			A			1	1									06'0301		
	[30] 0593-506012	<i>CLUTCH ASSY</i>			A			1	1									06'0301		

3646 OUTPUT SHAFT(BTR M74)



3646 OUTPUT SHAFT(BTR M74)

I T C	KEY NO. PART NO	PART NAME OPTION	L / R	T / M	D R V	MODEL										EFF. DATE		REMARK		
						D2	E2	OD	3										FROM	TO
	[01] 0585-141021	RING-O			A			1	1									06'0301		
	[02] 0585-141015	RING-O			A			1	1									06'0301		
	[03] 0585-141027	RING-O			A			1	1									06'0301		
	[04] 0585-016011	RING-SEAL			A			2	2									06'0301		
	[05] 0585-016015	RING-SEAL			A			3	3									06'0301		
	[06] 0574-193105	WASHER			A			1	1									06'0301		
	[07] 0574-193102	WASHER			A			1	1									06'0301		
	[08] 0585-427001	BUSH			A			1	1									06'0301		
	[09] 0585-427008	BUSH			A			1	1									06'0301		
	[10] 0585-427009	BUSH			A			1	1									06'0301		
	[11] 0500-427021	BUSH			A			1	1									06'0301		
	[12] 0500-427022	BUSH			A			1	1									06'0301		
	[13] 0585-427012	BUSH			A			1	1									06'0301		
	[14] 0585-427013	BUSH			A			1	1									06'0301		
	[15] 0595-193081	WASHER			A			1	1									06'0301		

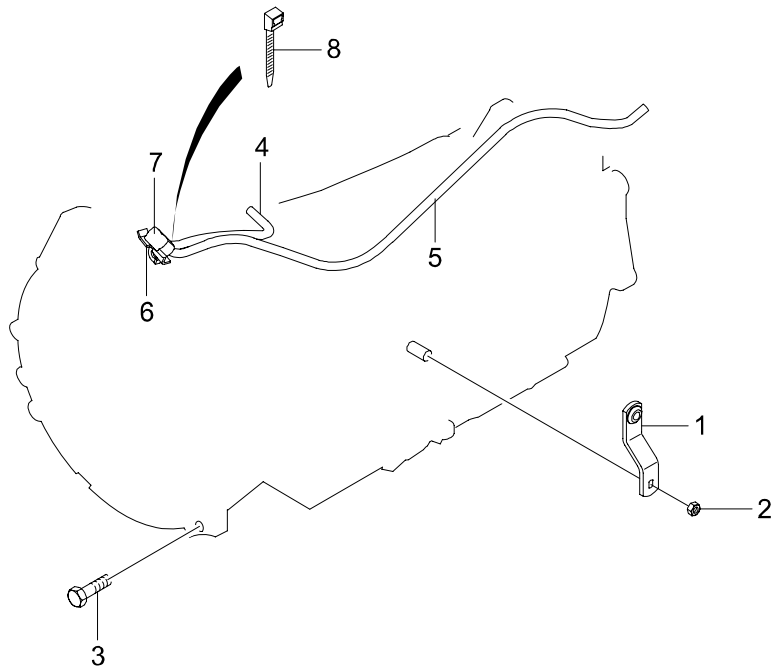
3646 OUTPUT SHAFT(BTR M74)

I T C	KEY NO. PART NO	PART NAME OPTION	L / R	T / M	D R V	MODEL										EFF. DATE		REMARK		
						D2	E2	OD	3										FROM	TO
	[16] 0585-139007	<i>RING-SNAP</i>			A		2	2										06'0301		
	[17] 0574-132029	<i>BEARING-NEEDLE</i>			A		1	1										06'0301		
	[18] 0595-132027	<i>BEARING-NEEDLE</i>			A		1	1										06'0301		
	[19] 0555-143029	<i>BEARING-NEEDLE</i>			A		1	1										06'0301		
	[20] 0585-132013	<i>BEARING-NEEDLE</i>			A		1	1										06'0301		
	[21] 0585-053020	<i>SPACER-THRUST</i>			A		1	1										06'0301		
	[22] 0585-139016	<i>RING-SNAP</i>			A		1	1										06'0301		
	[23] 0585-139014	<i>RING-RETAINING</i>			A		1	1										06'0301		
	[24] 0574-139018	<i>RING-SNAP</i>			A		1	1										06'0301		
	[25] 0585-557072	<i>BAND-FRT</i>			A		1	1										06'0301		
	[26] 0574-557107	<i>BAND-RR</i>			A		1	1										06'0301		
	[27] 0574-625040	<i>CYLINDER ASSY-CLUTCH</i>			A		1	1										06'0301		
	[28] 0593-124039	<i>PISTON ASSY-CLUTCH</i>			A		1	1										06'0301		
	[29] 0585-156092	<i>SPRING</i>			A		1	1										06'0301		
	[30] 0585-040029	<i>RETANER-SPRING</i>			A		1	1										06'0301		

3646 OUTPUT SHAFT(BTR M74)

I T C	KEY NO. PART NO	PART NAME OPTION	L / R	T / M	D R V	MODEL										EFF. DATE		REMARK		
						D2	E2	OD	3										FROM	TO
	[31] 0574-665033	GEAR ASSY-REVERSE SUN			A			1	1									06'0301		
	[32] 0574-165029	GEAR-PLANETARY SUN			A			1	1									06'0301		
	[33] 0593-507024	SUPPORT ASSY-CTR			A			1	1									06'0301		
	[34] 0585-183131	SCREW			A			1	1									06'0301		
	[35] 0574-659013	CARRIER ASSY-PLANETARY			A			1	1									06'0301		
	[36] 0585-018013	RACE-OTR			A			1	1									06'0301		
	[37] 0593-107052	RETAINER			A			1	1									06'0301		
	[38] 0593-506013	CLUTCH ASSY-RR			A			1	1									06'0301		
	[39] 0574-671012 0574-671021	SHAFT ASSY-OUTPUT			A			1	1									06'0301	4WD	
	[40] 0574-162010	GEAR-RING			A			1	1									06'0301	2WD ONLY	

3670 POWER TRAIN AUXILIARY PARTS

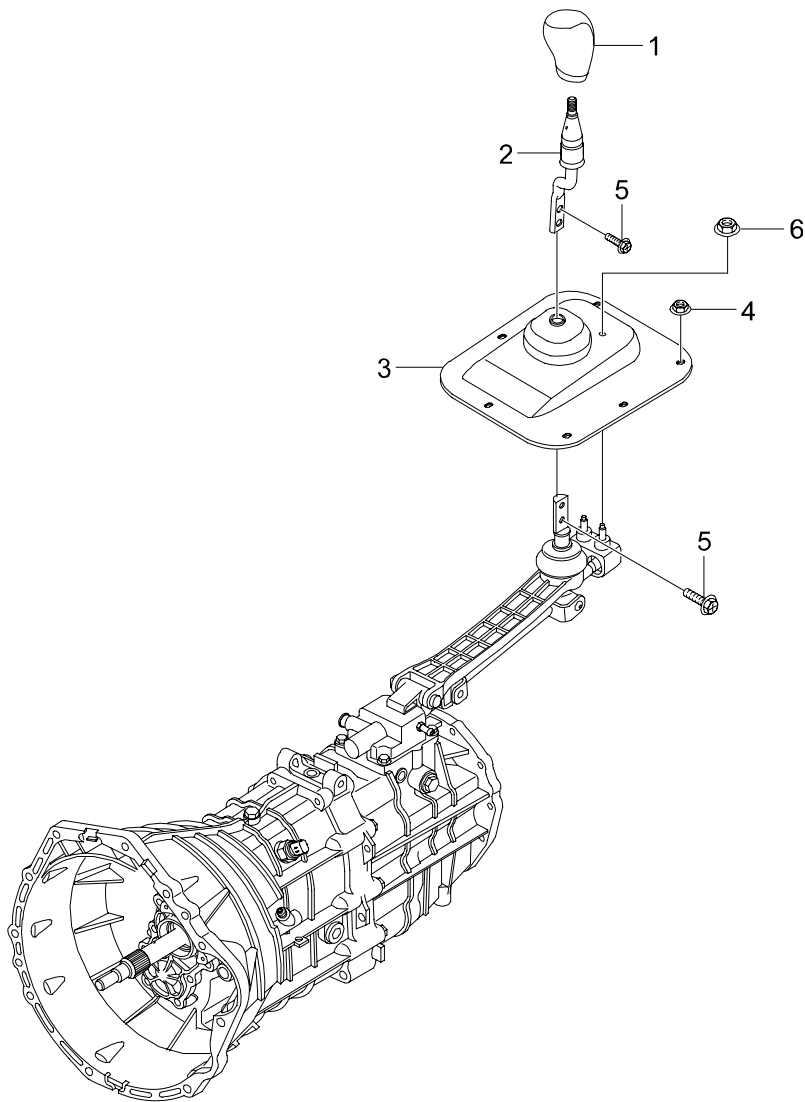


3670 - 01

3670 POWER TRAIN AUXILARY PARTS

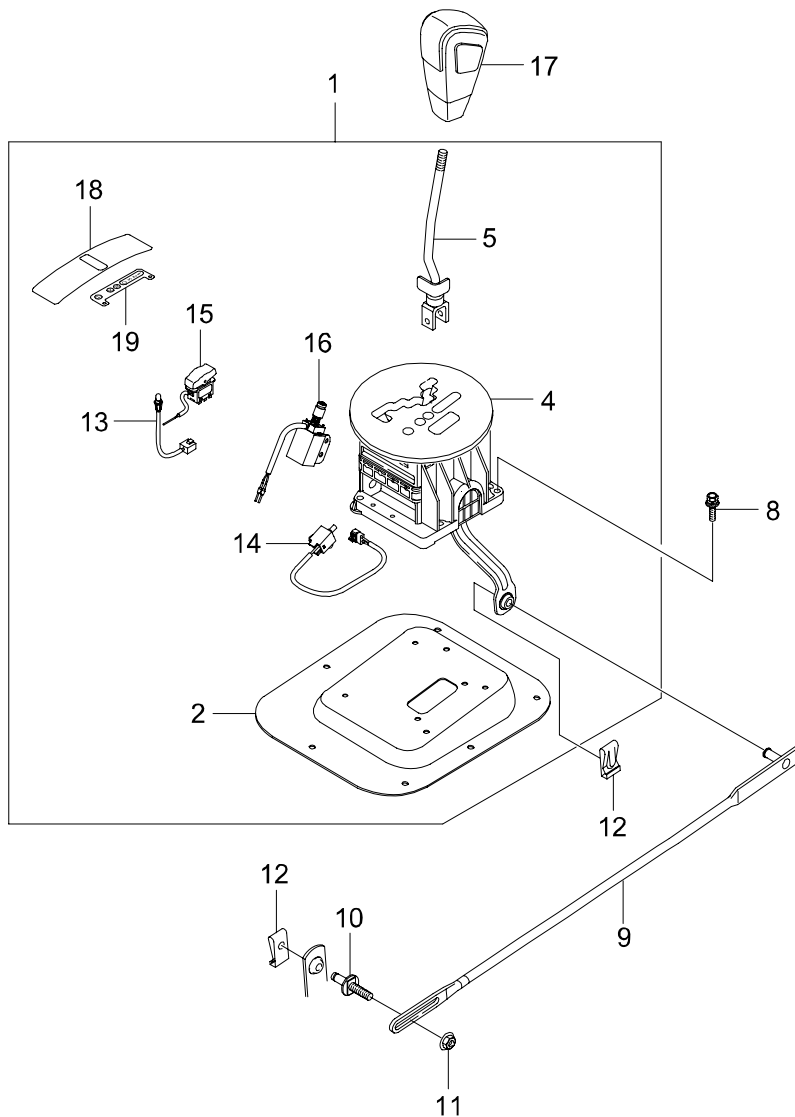
I T C	KEY NO. PART NO	PART NAME OPTION	L / R	T / M	D / R / V	MODEL										EFF. DATE		REMARK		
						D2	E2	0D	3										FROM	TO
Y	[01] 3616031400	<i>LEVER-RANGE SELECTOR</i>			A			1	1									06'0301	07'0208	
	3616031401				A			1	1									07'0209		
	[02] 9906008100	<i>NUT</i>			A			1	1									06'0301		M8X1.25 ,HEX SELF
	[03] 3612605331	<i>BOLT-TIGHTENING</i>					6	6										06'0301		L=18MM
	[04] 3637105051	<i>HOSE-VENTILATION</i>					1	1										06'0301		L=640MM
	[05] 3637105061	<i>HOSE-VENTILATION</i>					1	1										06'0301		L=800MM
	[06] 3104008210	<i>BRKT-VENTILATION</i>					1	1										06'0301		
	[07] 3103008100	<i>CAP-VENTILATION</i>					1	1										06'0301		
[08] 8295205000	<i>BAND</i>					1	1										06'0301			

3710 MANUAL SHIFT CONTROL

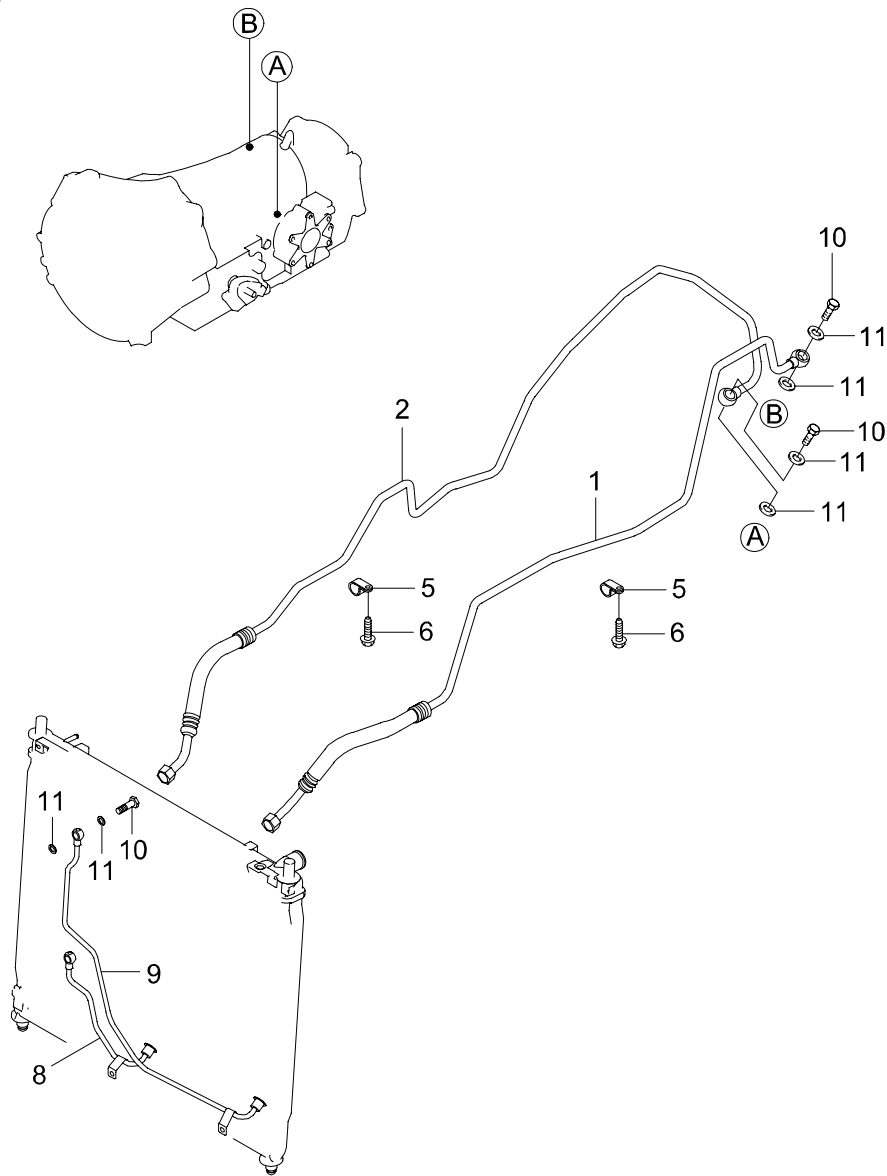


3710 - 01

3740 AUTO SHIFT CONTROL(BTRA)

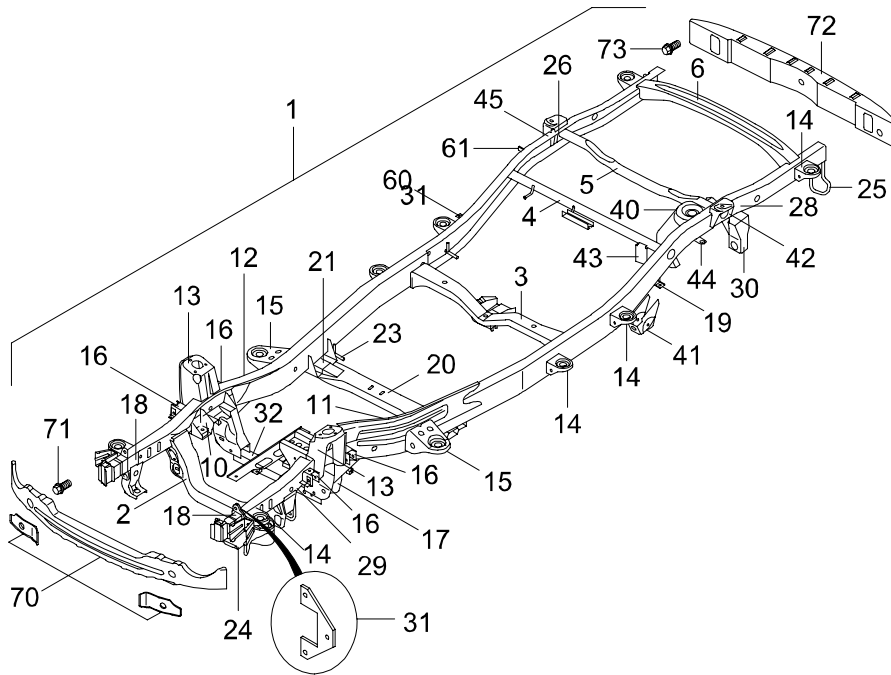


3750 AUTO COOLING SYSTEM



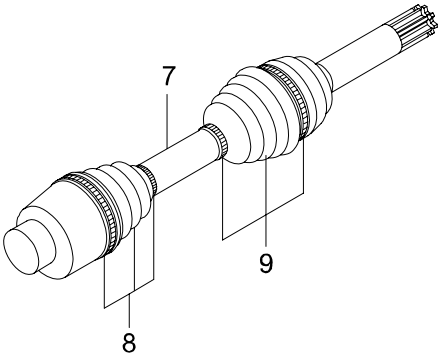
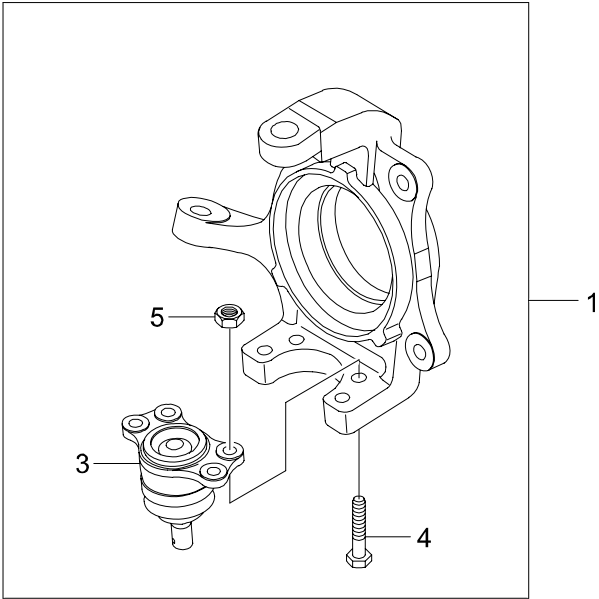
3750 - 01

4010 FRAME

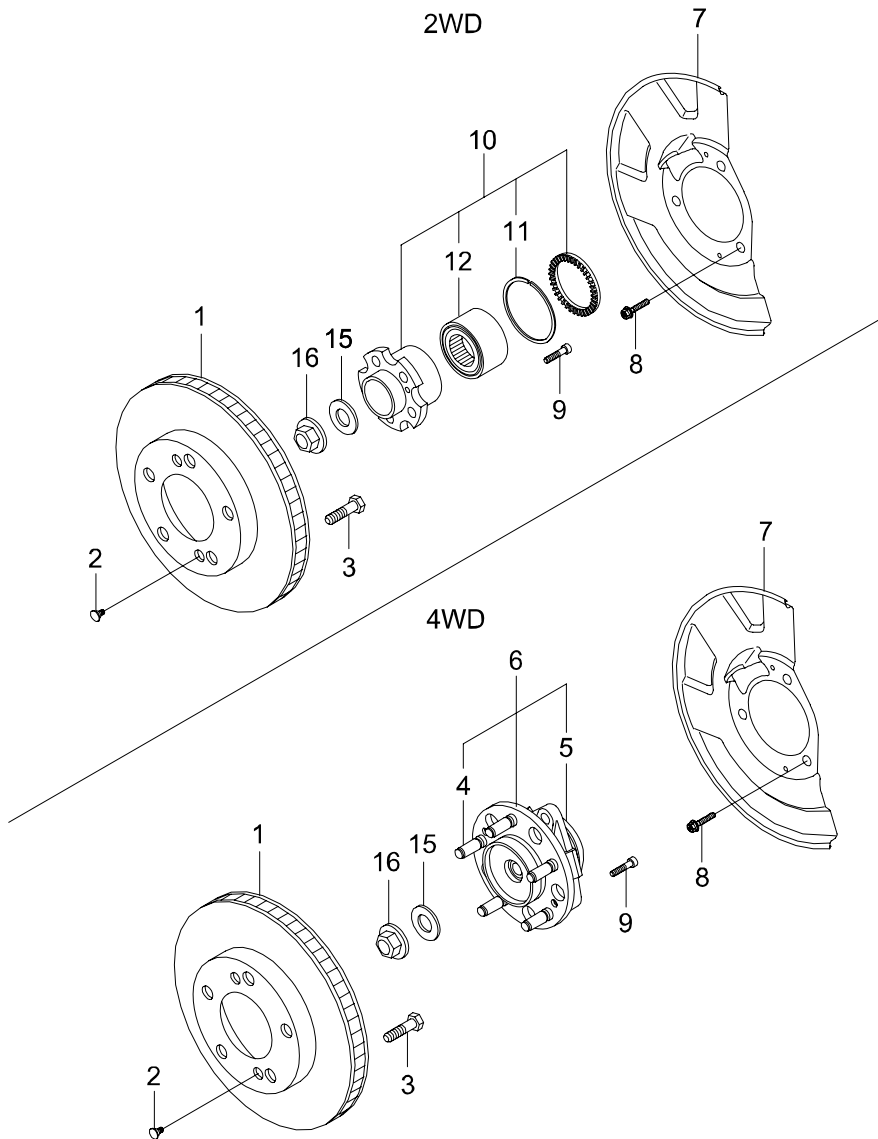


4010 - 01

4110 AXLE SHAFT



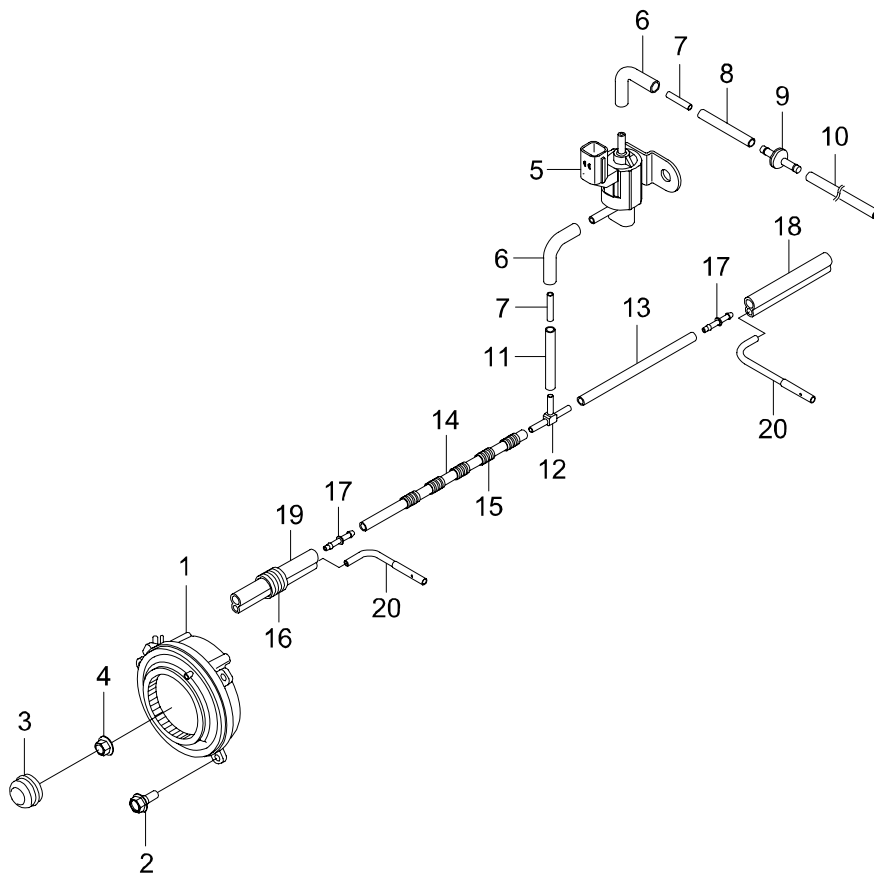
4115 FRT HUB & DISC



4115 FRT HUB & DISC

I T C	KEY NO. PART NO	PART NAME OPTION	L / R	T / M	D R V	MODEL										EFF. DATE		REMARK		
						D2	E2	0D	3										FROM	TO
	[01]	DISC-FRT BRAKE																		
	4144109000	-ABS																06'0301		NON ABS
	4144109100	+ABS/ESP																06'0301		FOR ABS OR ESP
	[02]	BOLT																		
	2014210171																	06'0301		
	[03]	BOLT																		
	4817005001																	06'0301		
	[04]	BOLT-WHEEL																		
	4143009000	2WD & 4WD																06'0301		
	[05]	BEARING ASSY-FRT HUB																		
	4143109000	-ABS																06'0301		SUPPLY AS ASSY:4142009300,NON ABS
	4143109101	+ABS/ESP																06'0301		SUPPLY AS ASSY:4142009401,FOR ABS OR ESP
	[06]	HUB ASSY-FRT																		
	4142009300	-ABS																06'0301		NON ABS
	4142009400	+ABS/ESP																06'0301	06'0724	WITH WHEEL SPEED SENSOR
Y	4142009401	+ABS/ESP																06'0725		FOR ABS OR ESP
	[07]	SHIELD-FRT DISC BRAKE DUST																		
	4145109000	2WD	LH															06'0301		
	4146109000	2WD	RH															06'0301		
	4145109100	4WD	LH															06'0301		
	4146109100	4WD	RH															06'0301		
	[08]	BOLT																		
	982740612D																	06'0301		M6X1.0X12 ,HEX SEMS
	[09]	BOLT																		
	4145208000																	06'0301		
	[10]	HUB & BEARING ASSY-WHEEL FRT																		
	4142009200	2WD,-ABS																06'0301		
	4142009500	2WD,+ABS/ESP																06'0301		
	[11]	RING-RETAIN																		
	9503082003	2WD																06'0301		

4116 LOCKING HUB

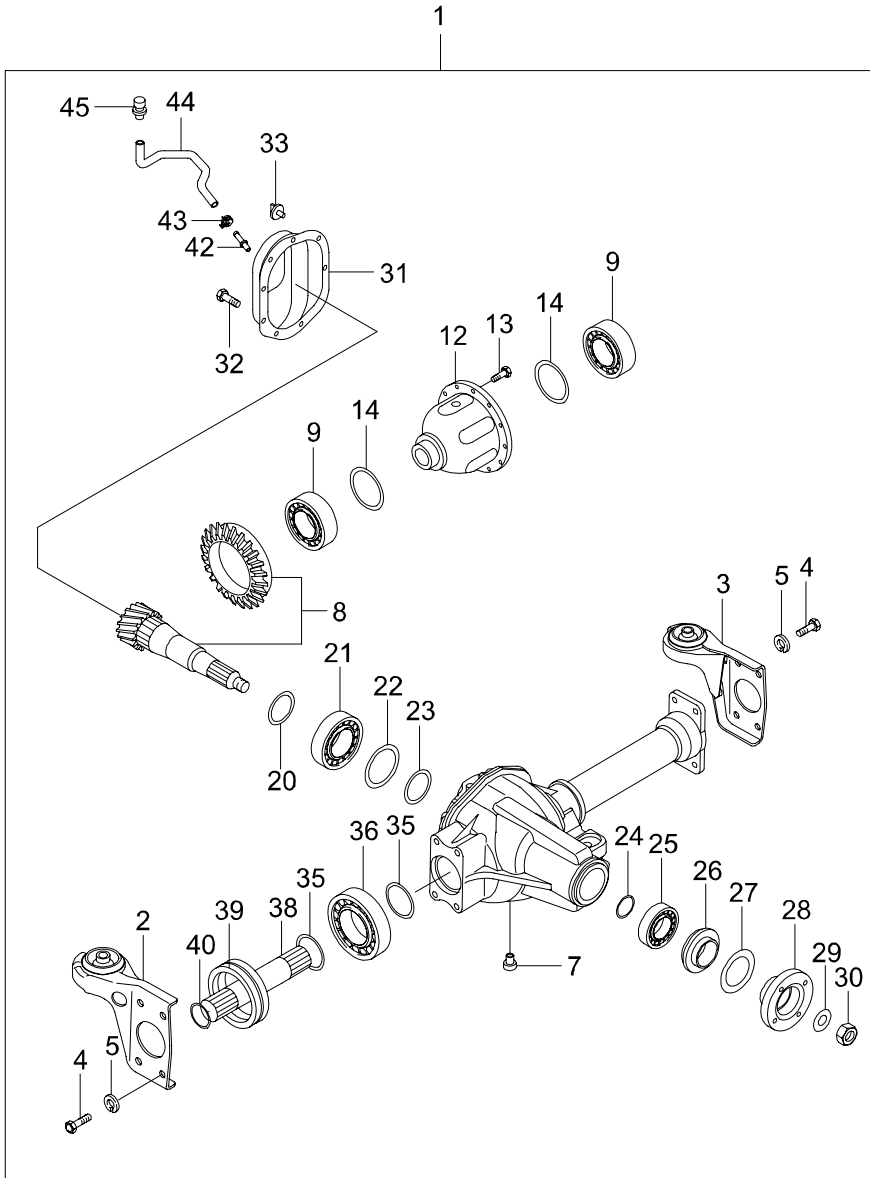


4116 - 01

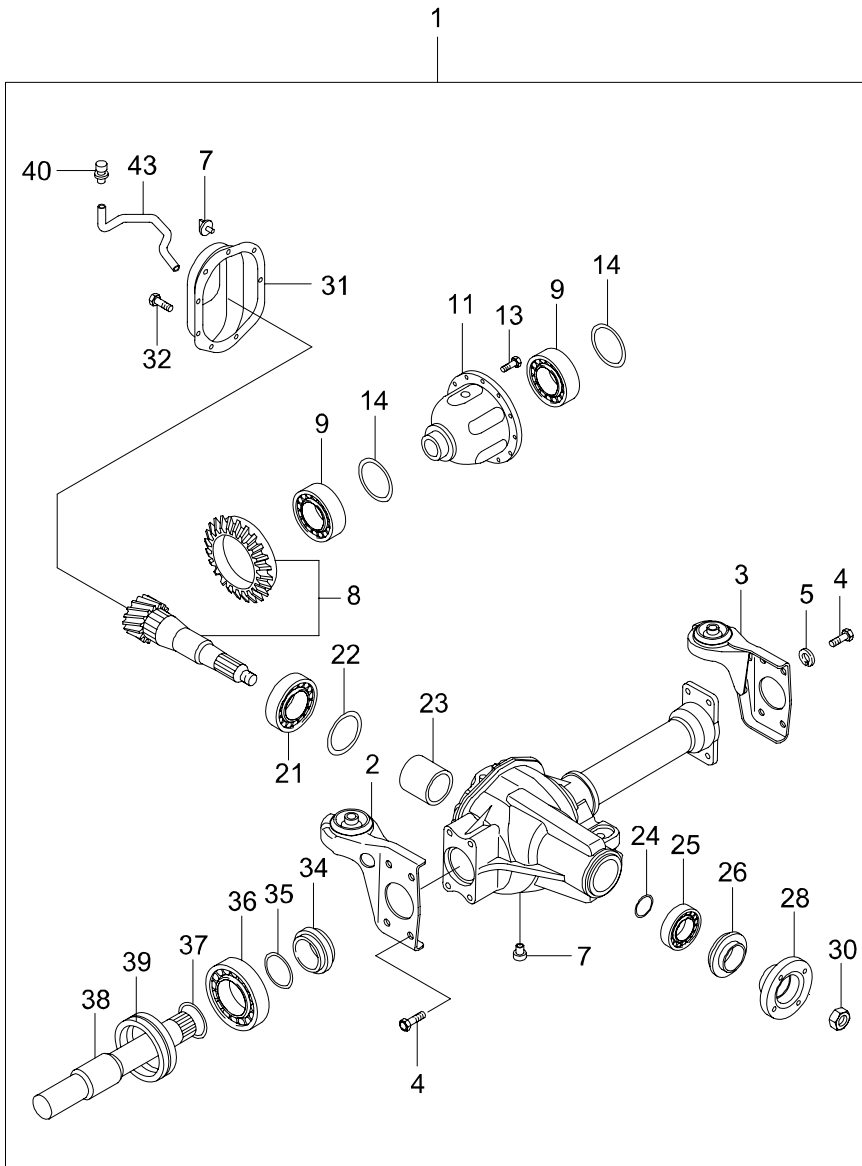
4116 LOCKING HUB

I T C	KEY NO. PART NO	PART NAME OPTION	L / R	T / M	D R V	MODEL										EFF. DATE		REMARK		
						D2	E2	0D	3										FROM	TO
	[15] 4155003001	<i>TUBE-CORRUGATED</i>					5	5									06'0301		L=100	
	[16] 4155009001	<i>TUBE-CORRUGATED</i>					1	1									06'0301		L=250	
	[17] 4154409200	<i>CONNECTOR-2WAY</i>					2	2									06'0301			
	[18] 4154409001	<i>HOSE-ACTUATING</i>			LH		1	1									06'0301		L=900	
	[19] 4154409011	<i>HOSE-ACTUATING</i>			RH		1	1									06'0301		L=1130	
	[20] 4154409100	<i>HOSE-VENTILATION</i>					2	2									06'0301			

4120 FRT AXLE(KSC)



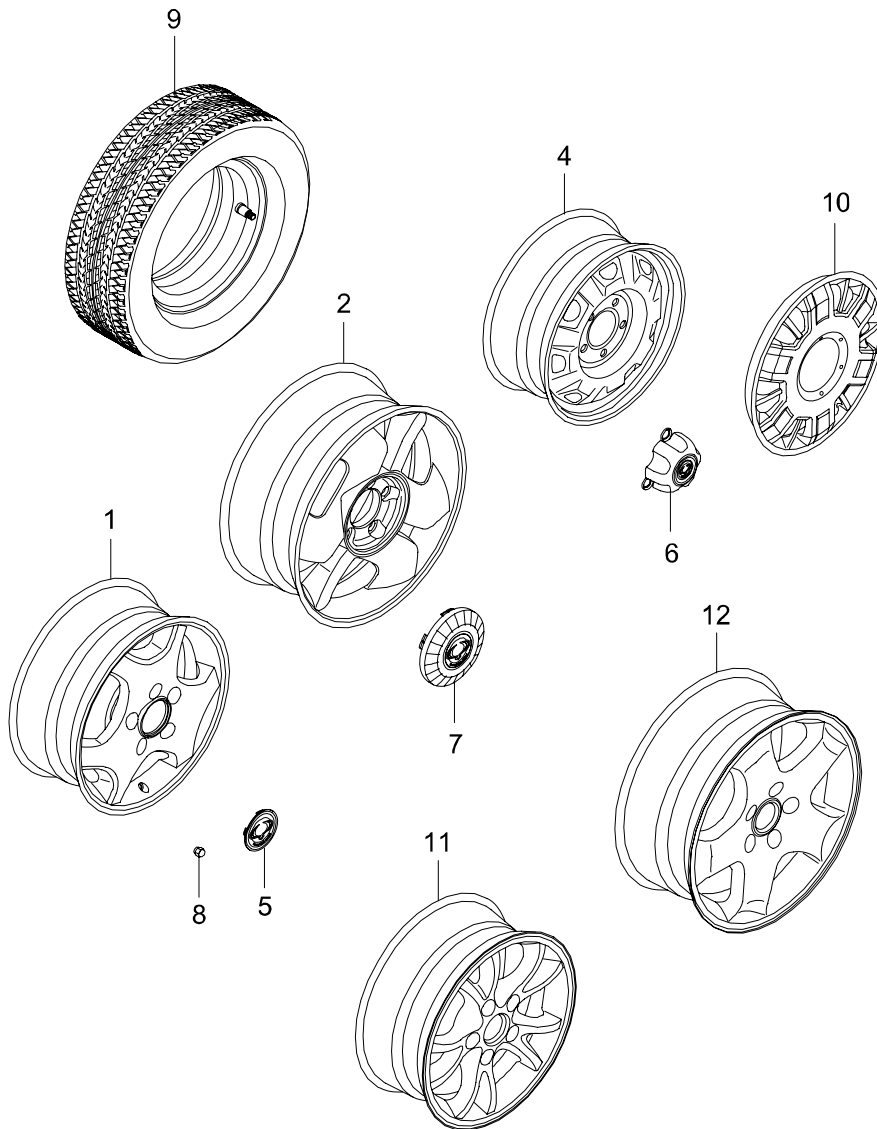
4121 FRT AXLE(TONGIL)



4121 FRT AXLE(TONGIL)

I T C	KEY NO. PART NO	PART NAME OPTION	L / R	T / M	D R V	MODEL										EFF. DATE		REMARK		
						D2	E2	OD	3										FROM	TO
	[01]	AXLE ASSY-FRT																		
	410009431	P/TIME		M		1										06'0301		4.27R		
	4100031110	P/TIME				1	1									06'0301		4.55R(D20DT A/T,G23 M/T)		
	4100031130	P/TIME		A		1										06'0715		5.38R(E23 A/T)		
	[02]	BRKT ASSY-FRT AXLE MTG																		
	4105009500		LH			1	1									06'0301				
	[03]	BRKT ASSY-FRT AXLE MTG																		
	4105009600		RH			1	1									06'0301				
	[04]	BOLT																		
	9124712401					8	8									06'0301				
	[05]	WASHER																		
	4109205000					8	8									06'0301				
	[07]	PLUG-DRAIN & FILLER																		
	4104505600					2	2									06'0301				
	[08]	GEAR SET																		
	43430310A0			M		1										06'0301		4.27R		
	43430311A1					1	1									06'0301		4.55R(D20DT A/T,E23 M/T)		
	43430313A0					1										06'0715		5.38R(E23 A/T)		
	[09]	BEARING-DIFF SIDE																		
	4363005600					2	2									06'0301		SRC:1017395		
	[11]	CARRIER ASSY-DIFF																		
	4360021101					1	1									06'0301		SUPPLY BY ASSEMBLY		
	[13]	BOLT																		
	43615090A1					10	10									06'0301		SRC:1000160		
	[14]	SHIM																		
	4361621101					2	2									06'0301		T=4.15		
	4361621102					2	2									06'0301		T=4.20		
	4361621103					2	2									06'0301		T=4.25		
	4361621104					2	2									06'0301		T=4.30		
	4361621105					2	2									06'0301		T=4.35		
	4361621106					2	2									06'0301		T=4.40		
	4361621107					2	2									06'0301		T=4.45		

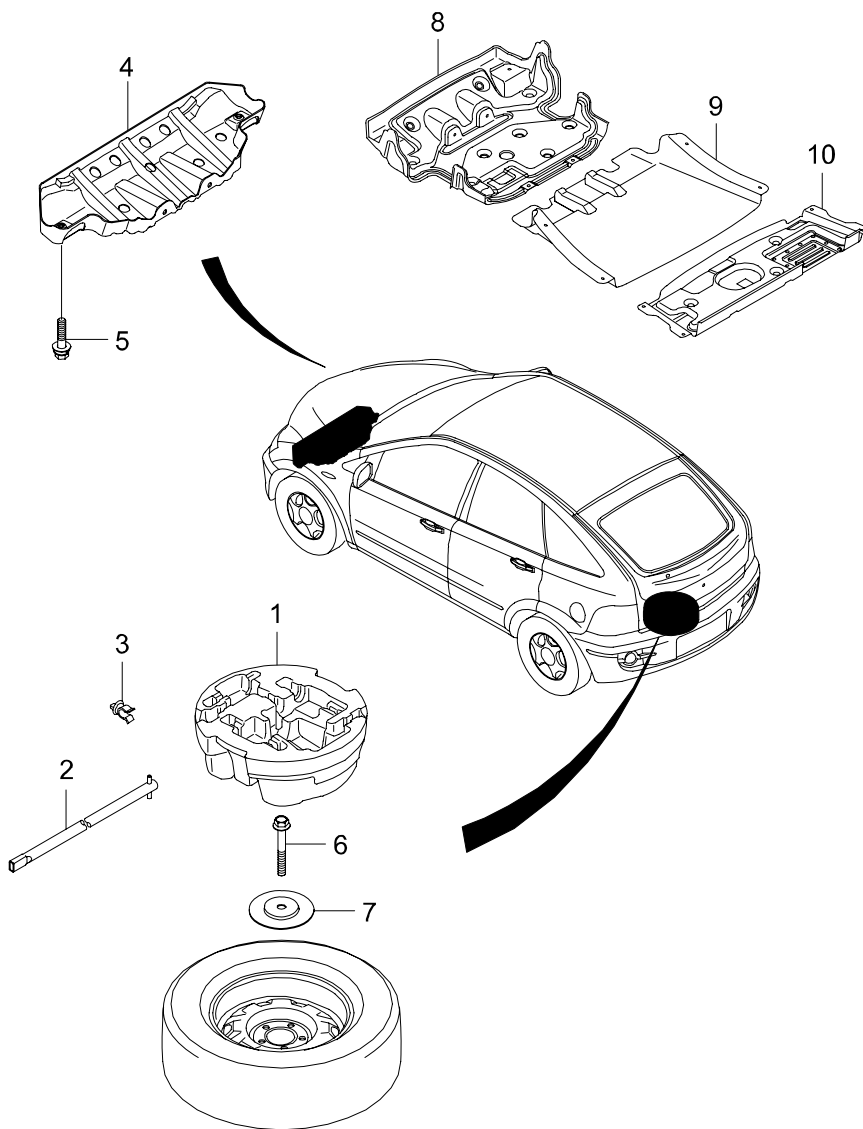
4170 TIRE & WHEEL DISC



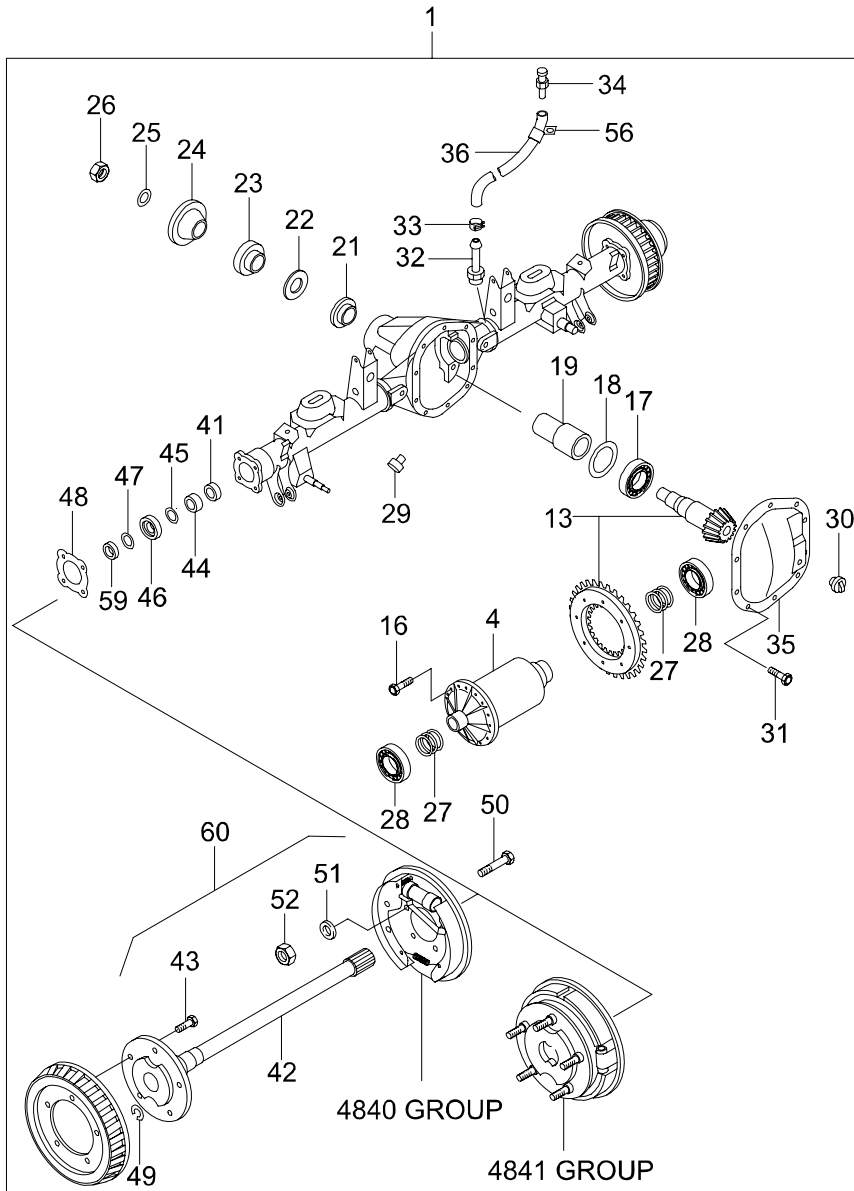
4170 TIRE & WHEEL DISC

I T C	KEY NO. PART NO	PART NAME OPTION	L / R	T / M	D R V	MODEL										EFF. DATE		REMARK		
						D2	E2	OD	3										FROM	TO
	[01]	WHEEL-ALLOY																		
	4173031110	P225/75R16						4	4								06'0301	6.5J*16,ASA		
	4173031210	P225/75R16						4	4								06'0301	6.5J*16,DOORAY		
	4173031310	P225/75R16						4	4								06'0301	6.5J*16,KAT		
	[02]	WHEEL-ALLOY																		
	4173031160	P255/60R18						4	4								06'0301	7.5J*18,ASA		
	4173031260	P255/60R18						4	4								06'0301	7.5J*18,DOORAY		
	4173031360	P255/60R18						4	4								06'0301	7.5J*18,KAT		
	[04]	WHEEL-STEEL																		
	4173021010	P225/75R16						4	4								06'0301	06'0930 6.5J*16,YUNYOUNG		
Y	4173031600	P225/75R16						4	4								06'1001	6.5J*16,YOUNGJINWHEEL		
	4173009000	TEMPORARY						1									06'0301	06'0510 5.5J*16 ,FOR T175/90R16, TEMPORARY SPARE TIRE		
O	4173009004	TEMPORARY						1	1								06'0511	06'1010 5.5J*16 ,FOR T175/90R16, TEMPORARY SPARE TIRE		
Y	4173031700	TEMPORARY						1	1								06'1011	5.5J*16 ,FOR T175/90R16, TEMPORARY SPARE TIRE		
	[05]	CAP ASSY-WHEEL																		
	4178031200	P225/75R16						4									06'0301	07'0104 ALLOY 6.5J*16 INCH		
Y	4178008C20	P225/75R16						4									07'0105	ALLOY 6.5J*16 INCH		
N	4178031230	P225/75R16, P255/60R18						4	4								06'0715	07'0102 06M/Y:(6.5J*16),(7.5J*18)		
Y	4178031231	P225/75R16, P255/60R18						4	4								07'0103	(6.5J*16),(7.5J*18)		
	[06]	CAP ASSY-WHEEL																		
	4178031300	P225/75R16						4									06'0301	06'0714 STEEL WHEEL 6.5JX16 INCH		
O	4178031301	P225/75R16						4	4								06'0715	06M/Y,STEEL 6.5JX16 INCH WHEEL		
	[07]	CAP ASSY-WHEEL																		
	4157608110	P255/60R18						4	4								06'0301	ALLOY 7.5JX18 INCH		
	[08]	NUT																		
	4173531000	P225/75R16						20	20								06'0301	ONLY FOR 16 INCH(6.5J*16) WHEEL		
	4173509000	P255/60R18						20	20								06'0301	ONLY FOR 18 INCH(7.5J*18) WHEEL ,HEAD:21MM ,M14X1.5		
	[09]	TIRE																		
	4171209020							4	4								06'0301	225/75R16,KUMHO		
	4171209120							4	4								06'0301	225/75R16,NEXEN		
	4171209220							4	4								06'0301	225/75R16,HANKOOK		
	4171209010							4	4								06'0301	255/60R18,KUMHO		

4180 SPARE TIRE & CARRIER



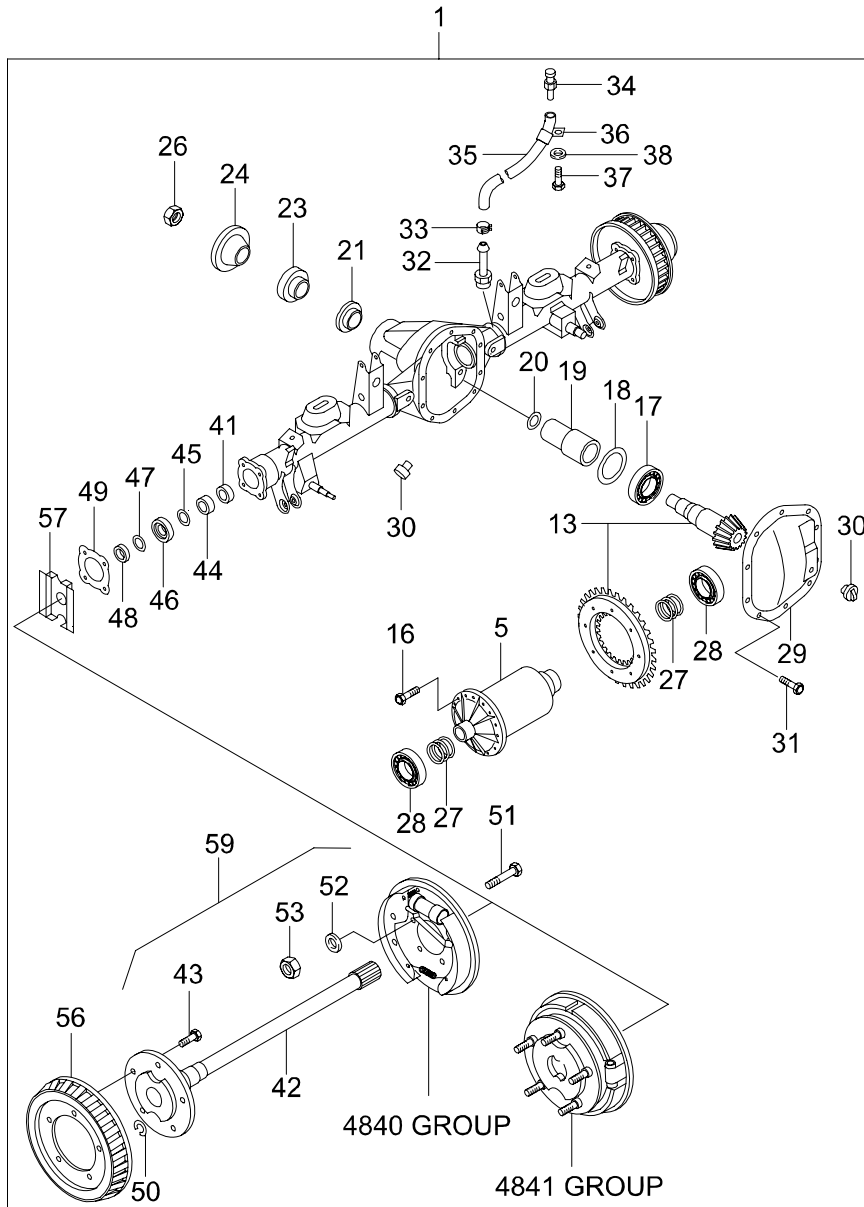
4210 REAR AXLE(KSC)



4210 REAR AXLE(KSC)

I T C	KEY NO. PART NO	PART NAME OPTION	L / R	T / M	D R V	MODEL										EFF. DATE		REMARK		
						D2	E2	OD	3										FROM	TO
	[01]	AXLE ASSY-RR																		
	4210009261	DISC		M		1										06'0301	06'0629	4.27R,AL COVER		
O	4210009262	DISC		M		1										06'0630	07'0329	4.27R,AL COVER		
Y	4210009263	DISC		M		1										07'0330		4.27R,AL COVER		
	4210009271	DISC,LSD		M		1										06'0301	06'0629	4.27R,AL COVER,LSD		
O	4210009272	DISC,LSD		M		1										06'0630		4.27R,AL COVER,LSD		
	4200031430	DISC				1	1									06'0301		D20DT(A/T,4.55R), E23(M/T,4.55R)		
O	4200031491	DISC				1	1									06'0301	07'0429	D20DT(A/T,4.55R,LSD) .E23(M/T,4.55R,LSD)		
N	4200031493	DISC				1	1									07'0430		D20DT(A/T,4.55R,LSD) .E23(M/T,4.55R,LSD)		
	4200031471	DISC		A		1										06'0715		5.38R		
	4200031711	DISC		A		1										06'0715	07'0329	5.38R,LSD		
Y	4200031712	DISC		A		1										07'0330	07'0429	5.38R,LSD		
O	4200031713	DISC		A		1										07'0430		5.38R,LSD		
	4210009073	DRUM		M		1										06'0301		4.27R,AL COVER		
	4210009013	DRUM		M		1										06'0301		4.27R,AL COVER,LSD		
	4200031070	DRUM				1	1									06'0301		D20DT(A/T,4.55R) .E23(M/T,4.55R)		
	4200031080	DRUM,LSD				1	1									06'0301		D20DT(A/T,4.55R,LSD) E23(M/T,4.55R,LSD)		
	4200031A00	DRUM		A		1										06'0715		5.38R		
	4200031A10	DRUM		A		1										06'0715		5.38R,LSD		
	4200031431	DISC				1	1									06'0630		D20DT(2WD,4.55R,A/T) E23(M/T,4.55R,DISC)		
	4200031C10	DRUM		A		1										06'1130		1.55R		
	4200031E00	DISC,-LSD,ABS		A		1										06'0727		06M/Y,4.55R		
	[04]	CASE ASSY-DIFF																		
	43710310A1			M		1										06'0301		4.27R, SRC:53000T06100		
	43710311A1	LSD		M		1										06'0301		4.27R,SRC:53000T06260		
	43710310B1					1	1									06'0301		4.55R,SRC:53000T06370		
	4371031LB1	LSD				1	1									06'0301		4.55R,SRC:53000T06380		
	43710310C1			A		1										06'0715		5.38R,SRC:53000T06410		
	4371031LC1	LSD		A		1										06'0715		5.38R,SRC:53000T06630		
	[13]	PINION & GEAR ASSY																		
	4342005310			M		1										06'0301		4.27R		
	4342005000					1	1									06'0301		4.55R		
	4342005A20			A		1										06'0715		5.38R		

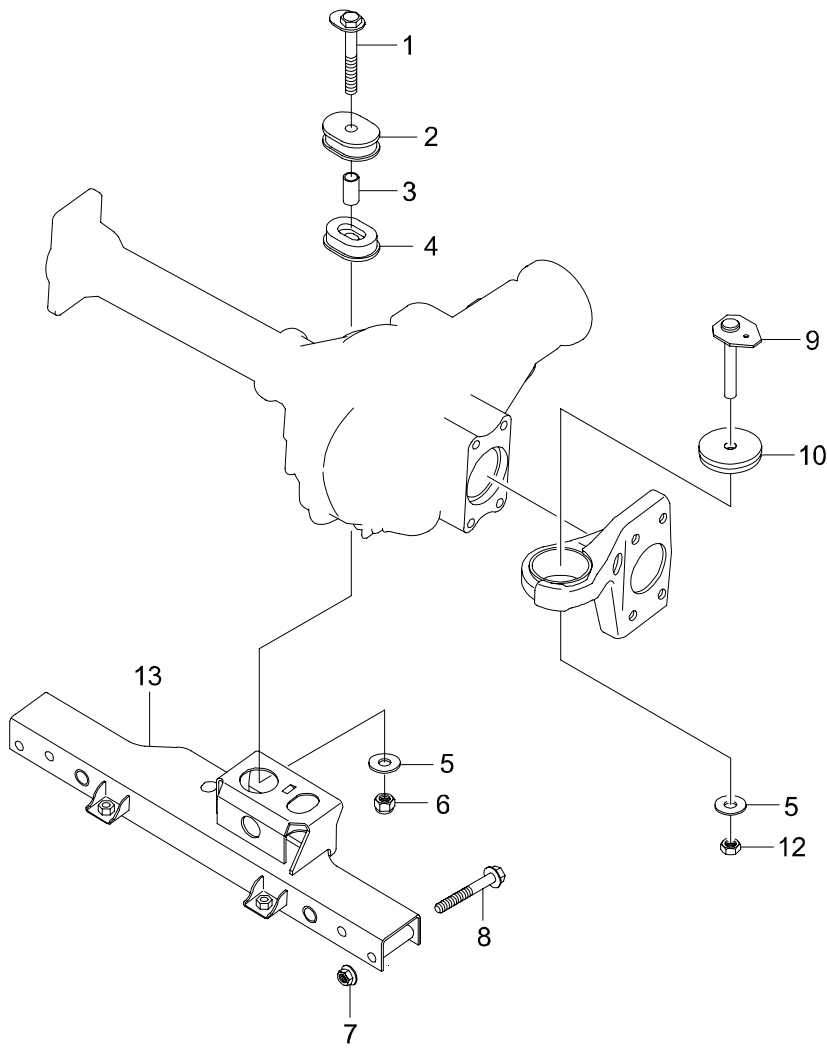
4211 REAR AXLE(TONGIL)



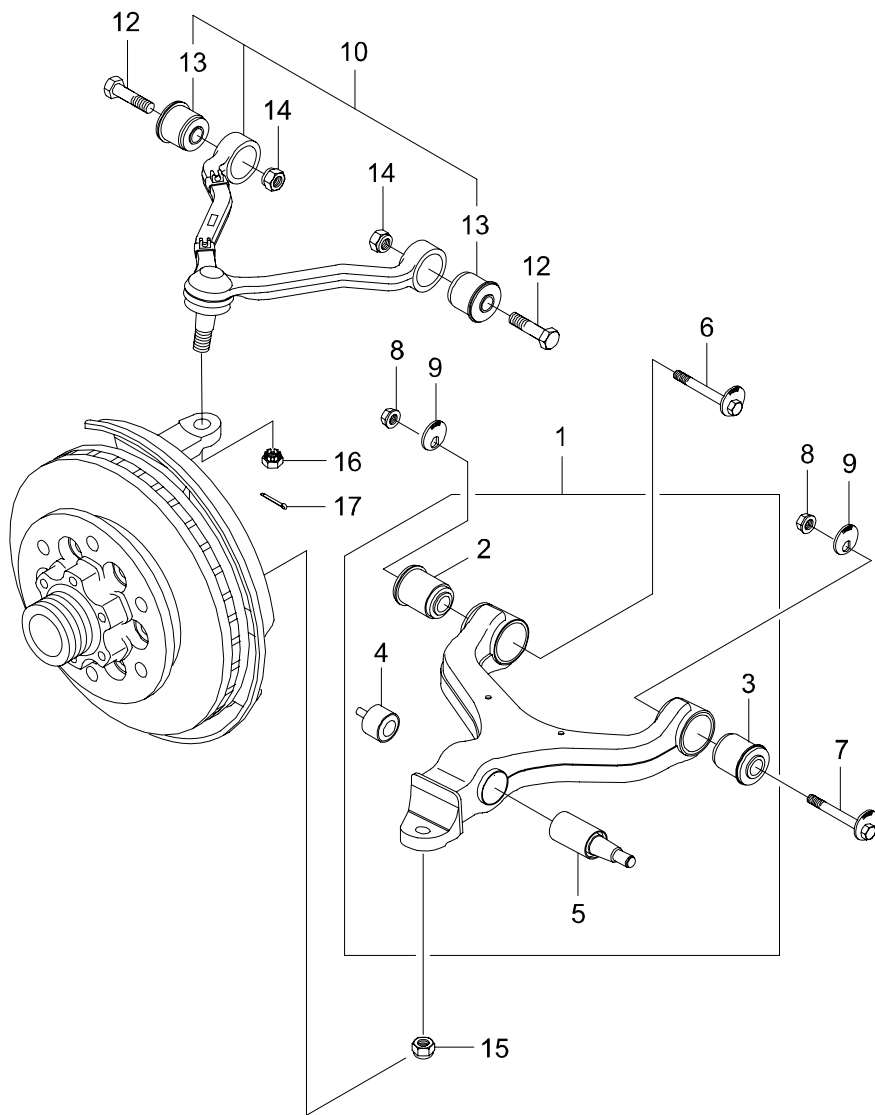
4211 REAR AXLE(TONGIL)

I T C	KEY NO. PART NO	PART NAME OPTION	L / R	T / M	D R V	MODEL										EFF. DATE		REMARK		
						D2	E2	0D	3										FROM	TO
	[01]	AXLE ASSY-RR																		
	4210009561	DISC		M		1										06'0301		4.27R,AL COVER		
	4210009571	DISC,LSD		M		1										06'0301	06'0726	4.27R,AL COVER,LSD		
O	4210009572	DISC,LSD		M		1										06'0727		4.27R,AL COVER,LSD		
	4200031631	DISC				1	1									06'0301		D20DT(A/T,4.55R),E23(M/T,4.55R)		
	4200031691	DISC,LSD				1	1									06'0301		D20DT(A/T,4.55R,LSD),E23(M/T,4.55R,LSD)		
	4200031671	DISC		A		1										06'0715	07'0329	5.38R		
Y	4200031672	DISC		A		1										07'0330	07'0429	5.38R		
O	4200031673	DISC		A		1										07'0430		5.38R		
	4200031911	DISC.LSD		A		1										06'0715		5.38R,LSD		
	4210009173	DRUM		M		1										06'0301		4.27R,AL COVER		
	4210009113	DRUM,LSD		M		1										06'0301		4.27R,AL COVER,LSD		
	4200031270	DRUM				1	1									06'0301		D20DT(A/T,4.55R),E23(M/T,4.55R)		
	4200031280	DRUM.LSD				1	1									06'0301		D20DT(A/T,4.55R,LSD),E23(M/T,4.55R,LSD)		
	4200031B00	DRUM		A		1										06'0715	07'0329	5.38R		
Y	4200031B01	DRUM		A		1										07'0330	07'0429	5.38R		
O	4200031B02	DRUM		A		1										07'0430		5.38R		
	4200031B10	DRUM,LSD		A		1										06'0715		5.38R,LSD		
	4200031F00	DISC,-LSD,ABS,4.55R		A		1										06'0727		06M/Y,4.55R		
	4200031D11	DRUM		A		1										06'0715		06M/Y,4.55R		
	[05]	DIFF ASSY																		
	43730310A0			M		1										06'0301		4.27R, SRC:1038492		
	4373031LA1	LSD		M		1										06'0301		4.27R		
	43730312A0					1	1									06'0301		4.55R		
	4373031LB1	LSD				1	1									06'0301		4.55R		
	43730313A0			A		1										06'0715		5.38R		
	4373031LC1	LSD		A		1										06'0715		5.38R		
	[13]	PINION & GEAR ASSY																		
	43420094A0			M		1										06'0301		4.27R		
	43420310A1					1	1									06'0301		4.55R		
	43420311A1			A		1										06'0715		5.38R		
	[16]	BOLT																		
	4371405600					10	10									06'0301				
	[17]	BEARING-PINION INR																		
	4203021000					1	1									06'0301				

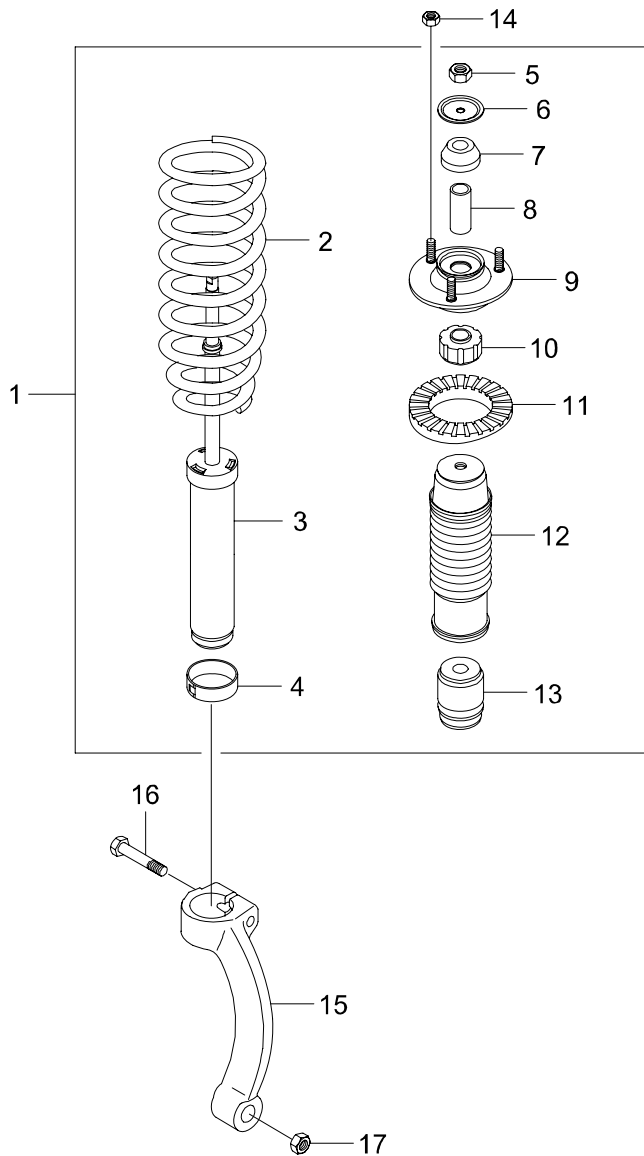
4310 FRONT AXLE MOUNTING



4410 FRONT SUSPENSION

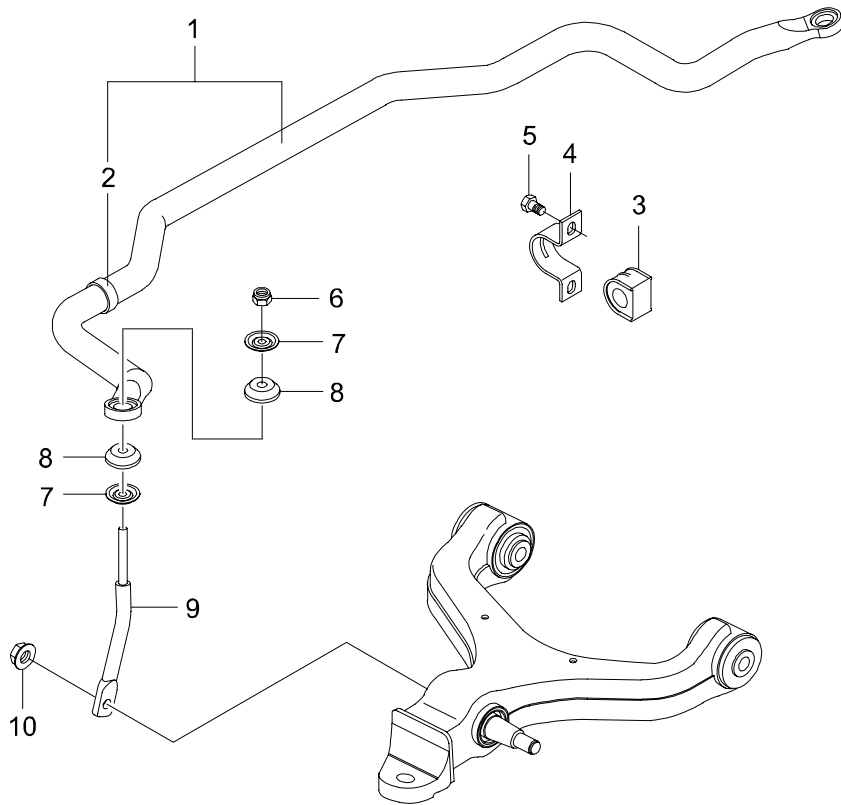


4411 FRONT SHOCK ABSORBER



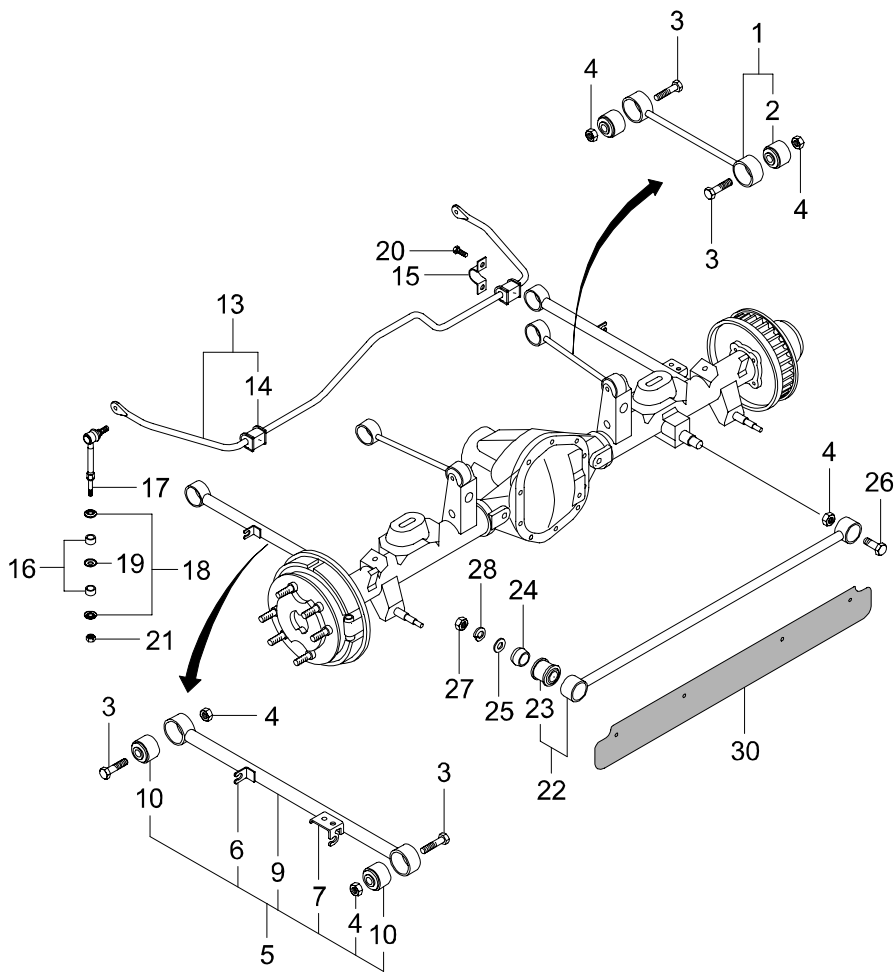
4411 - 01

4420 STABILIZER BAR

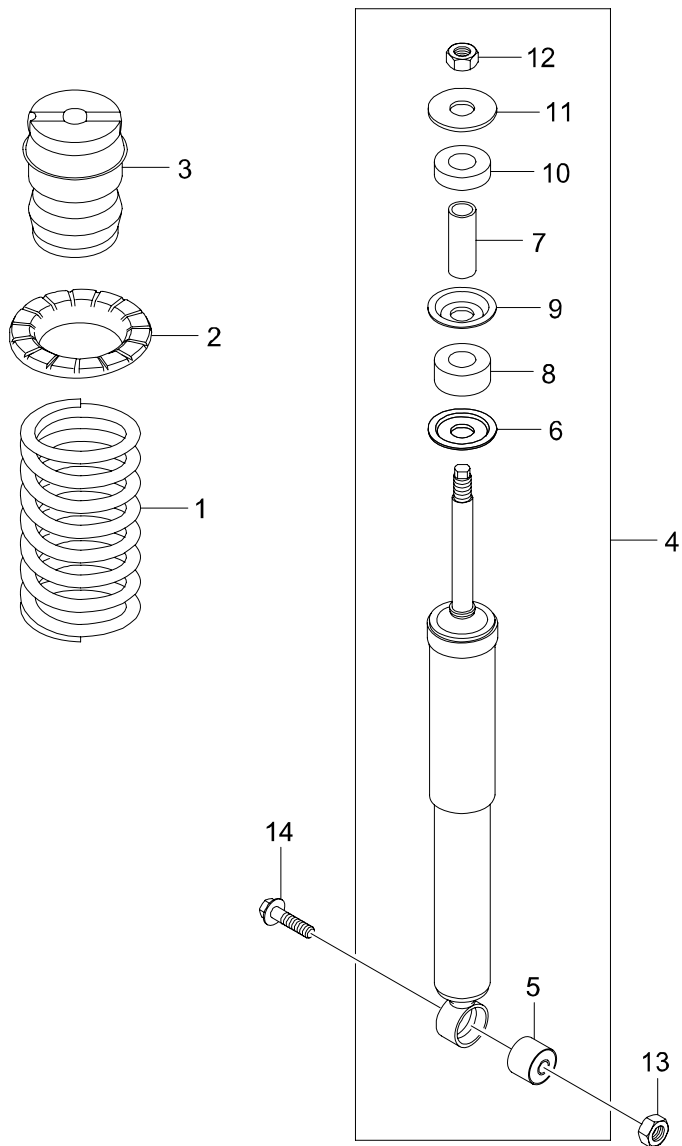


4420 - 01

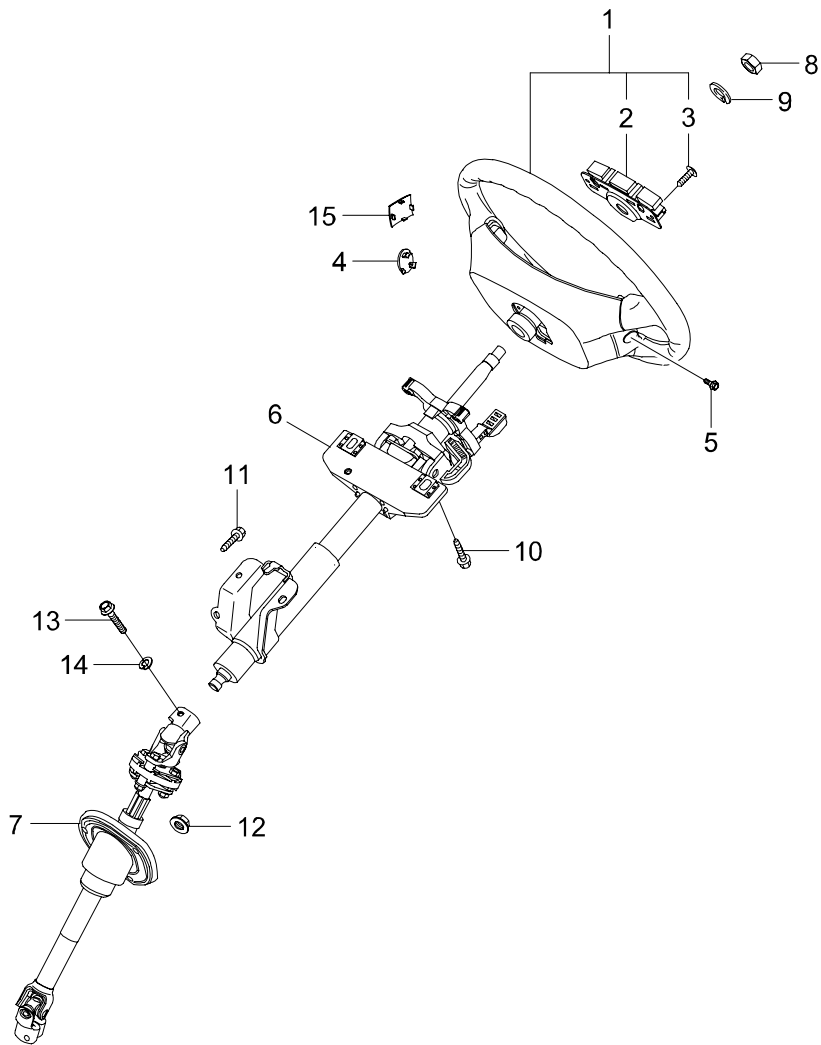
4510 REAR SUSPENSION(5-LINK)



4511 REAR SHOCK ABSORBER(5-LINK)



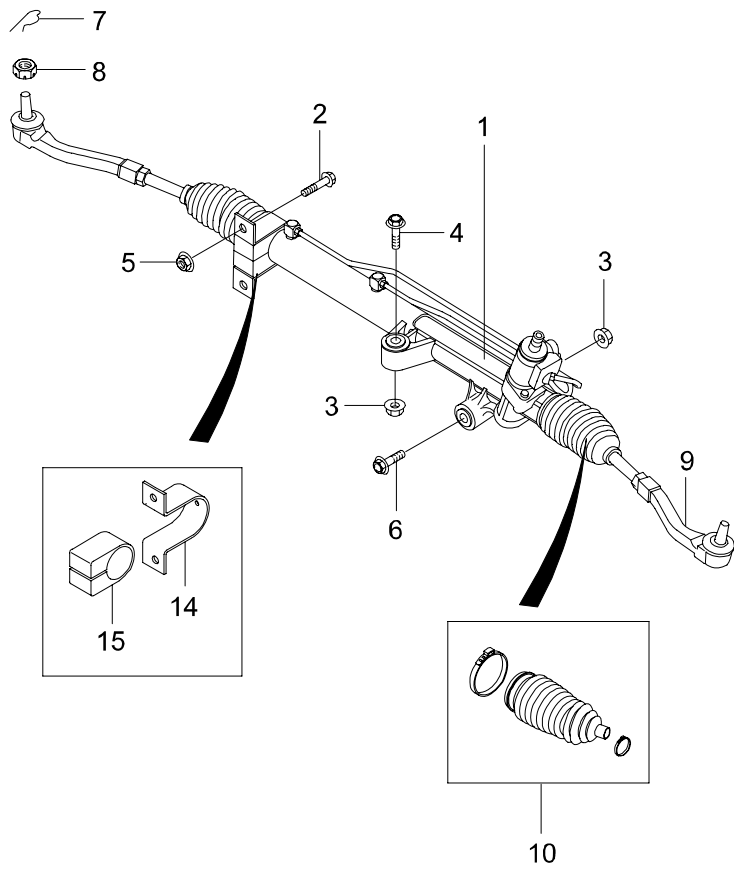
4610 STEERING WHEEL & COLUMN



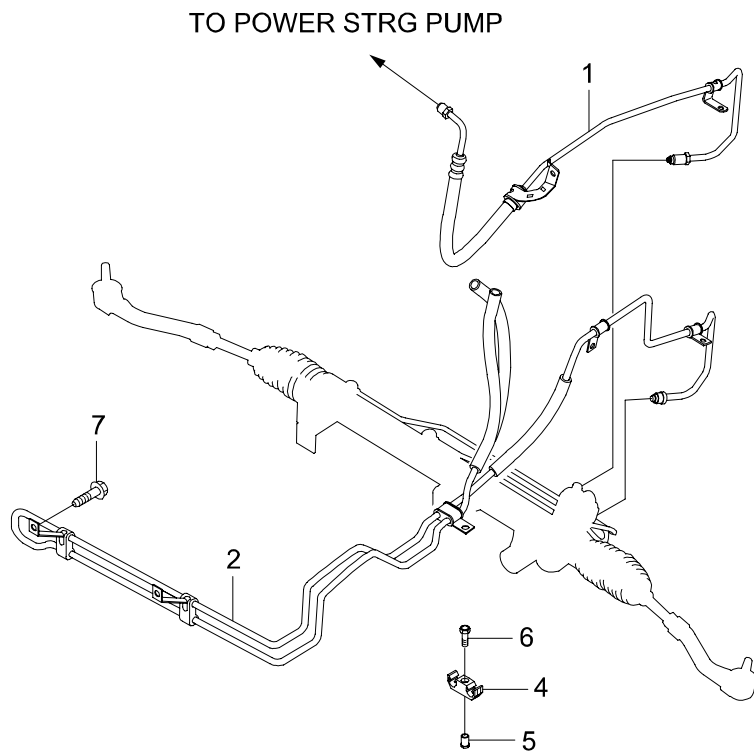
4610 STEERING WHEEL & COLUMN

I T C	KEY NO. PART NO	PART NAME OPTION	L / R	T / M	D R V	MODEL										EFF. DATE		REMARK		
						D2	E2	OD	3										FROM	TO
	[01]	<i>BODY ASSY-STRG WHEEL</i>																		
	4610031000LAM	PVC																06'0301	07'0131	
Y	4610031001LAM	PVC																07'0201		
	4610031100LAM	LEATHER																06'0301	07'0131	
Y	4610031101LAM	LEATHER																07'0201		
	[02]	<i>DAMPER-STRG WHEEL</i>																		
	4619031000																	06'0301		
	[03]	<i>SCREW</i>																		
	936145012B																	06'0301		M5X0.8X12 ,TRUSS
	[04]	<i>LID-STRG WHEEL</i>																		
	4614109000LAM																	06'0301		
	[05]	<i>BOLT</i>																		
	4610306500																	06'0301	07'0223	M6X1.0X14 ,HEX FLG
Y	4610306501																	07'0224		M6X1.0X14 ,HEX FLG
	[06]	<i>COLUMN & SHAFT ASSY-TILT</i>																		
	4621009000				L													06'0301	06'0809	
O	4621009001				L													06'0810	07'0131	
Y	4621009002				L													07'0201	07'0419	
Y	4621009004																	07'0420		
	4621009300				R													06'0301	06'1012	
N	4621009302				R													06'1013	07'0131	
Y	4621009303				R													07'0201	07'0419	
Y	4621009305																	07'0420		
	[07]	<i>SHAFT ASSY-LWR</i>																		
	4631009000				L													06'0301	06'0423	
N	4631009001				L													06'0424	07'0131	
Y	4631009002				L													07'0201	07'0214	
O	4631009003																	07'0215		
	4631009300				R													06'0301	07'0131	
Y	4631009301																	07'0201	07'0214	
O	4631009302				R													07'0215		
	[08]	<i>NUT</i>																		
	9203614001																	06'0301		M14X1.5 ,HEX

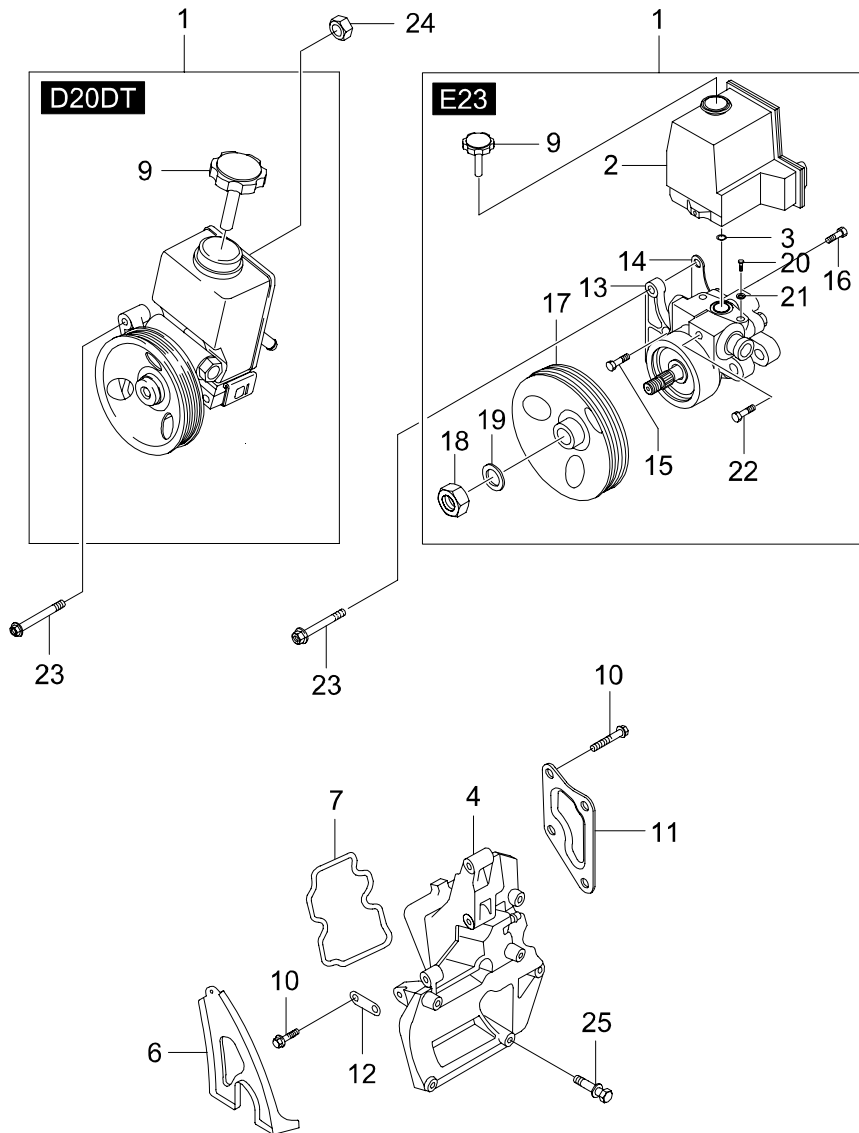
4620 STEERING GEAR LINKAGE



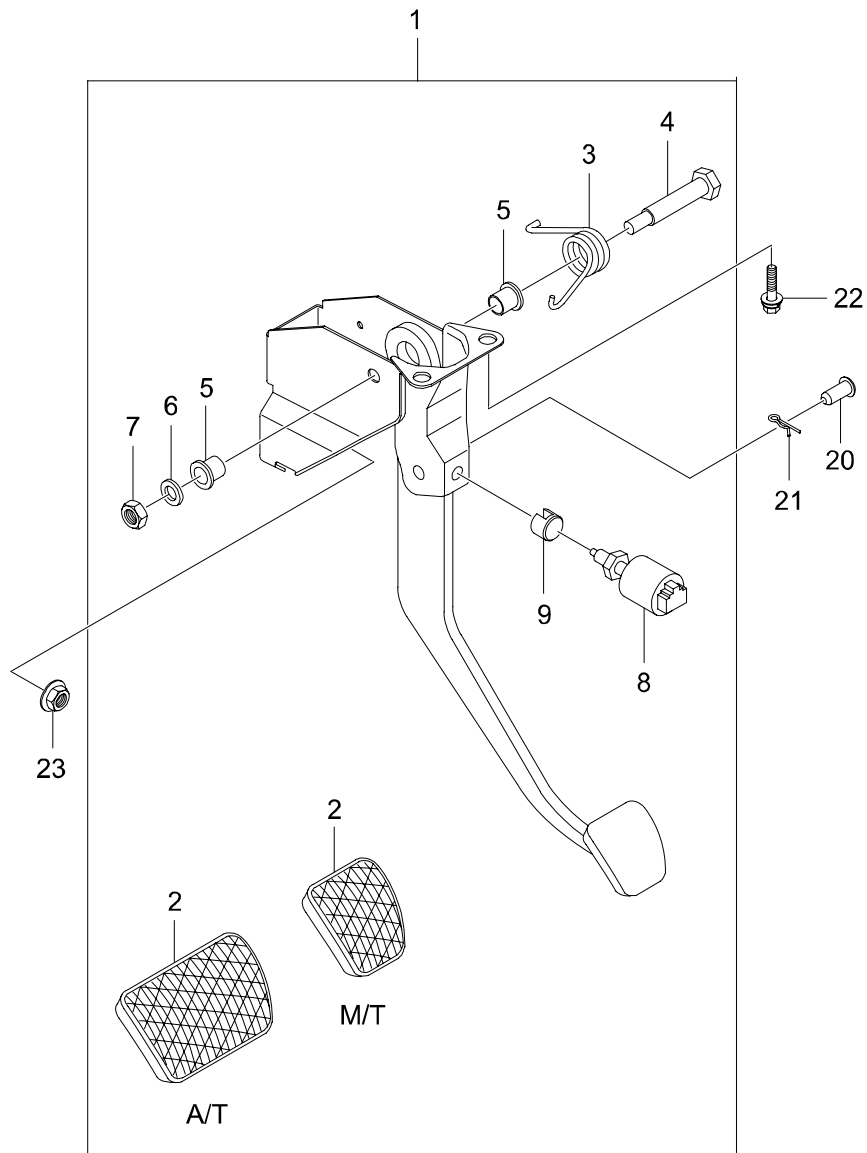
4640 POWER STEERING PIPE LINE



4711 POWER STEERING PUMP



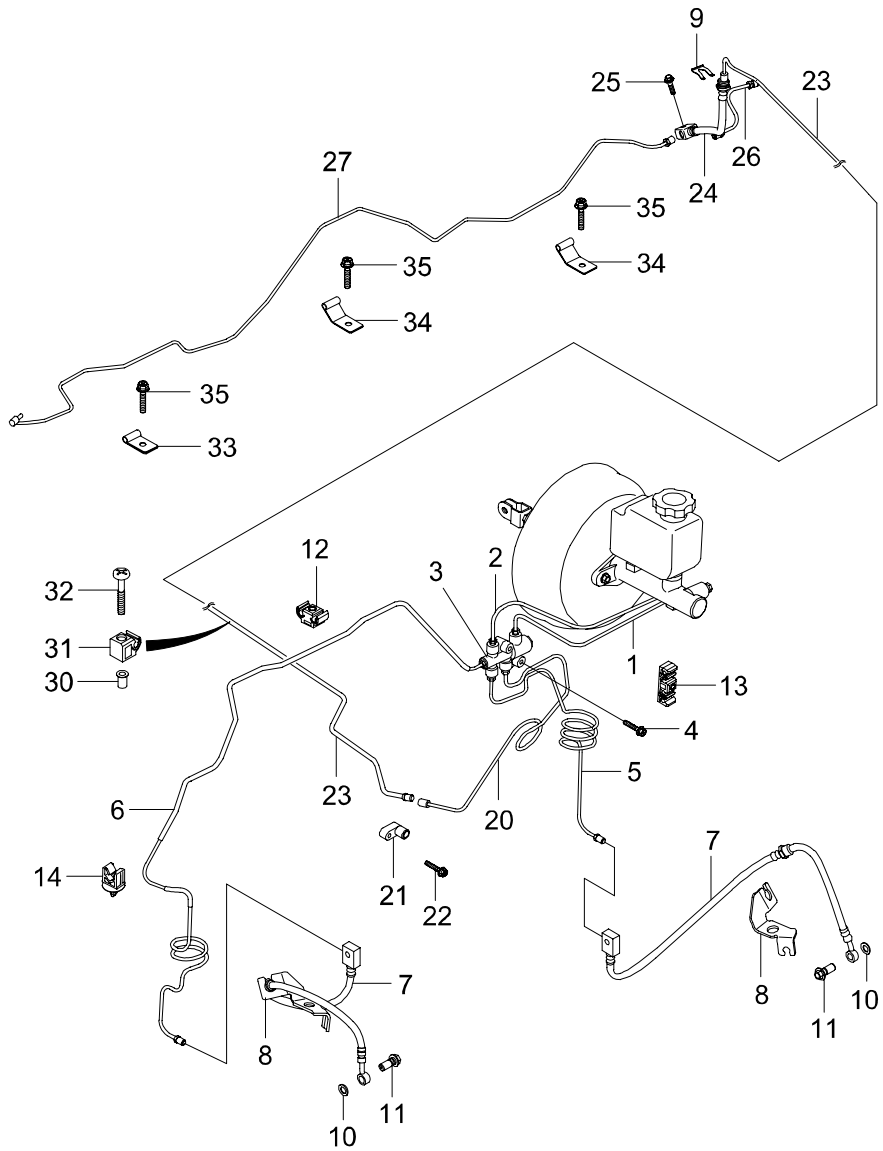
4810 BRAKE PEDAL



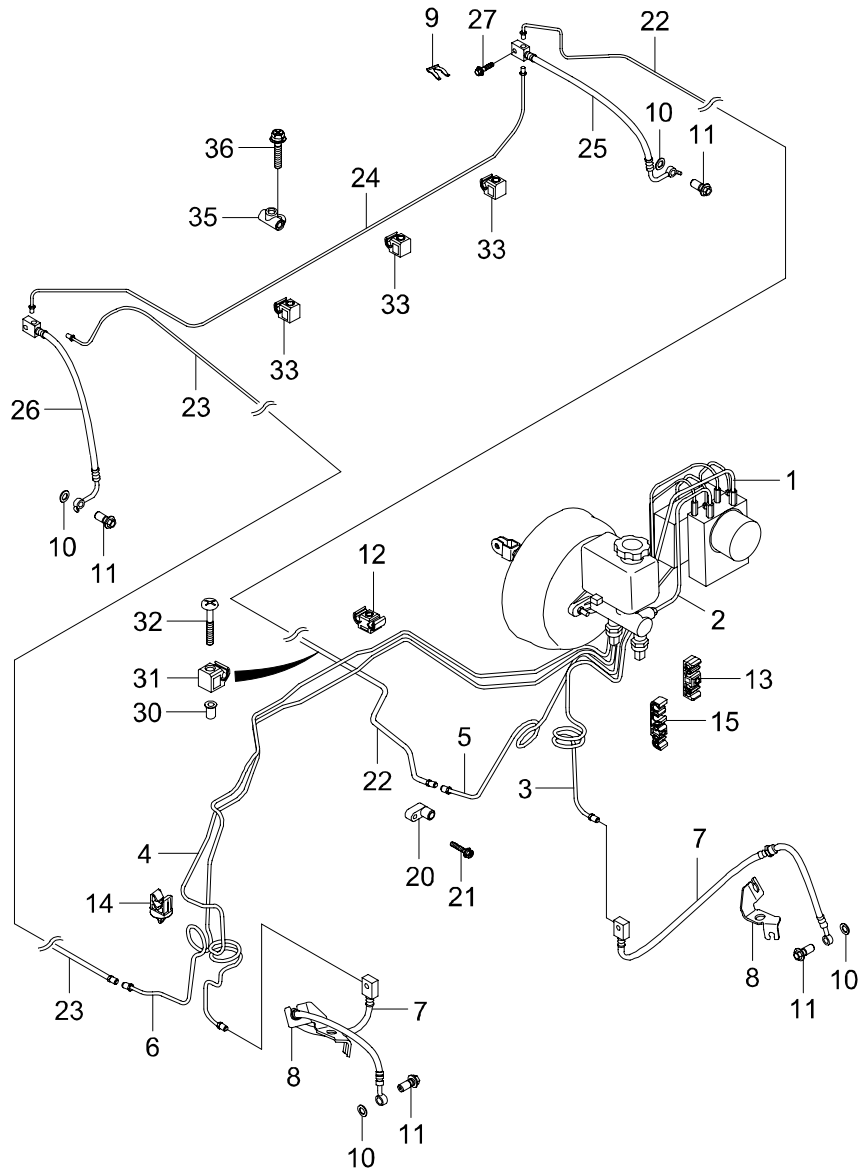
4810 BRAKE PEDAL

I T C	KEY NO. PART NO	PART NAME OPTION	L / R	T / M	D / R / V	MODEL										EFF. DATE		REMARK		
						D2	E2	OD	3										FROM	TO
	[01]	PEDAL BOX ASSY-BRAKE																		
	4880009002	M/T		M	L	1	1										06'0301	07'0201		
Y	4880009003	M/T		M	L	1	1										07'0202			
	4880009102	A/T		A	L	1	1										06'0301	07'0131		
Y	4880009103	A/T		A	L	1	1										07'0201			
	4880009901	RHD,M/T		M	R	1	1										06'0301	06'0313		
N	4880009902	RHD,M/T		M	R	1	1										06'0314	07'0131		
Y	4880009903	RHD,M/T		M	R	1	1										07'0201			
	4880009912	RHD,A/T		A	R	1	1										06'0301	07'0131		
Y	4880009913	RHD,A/T		A	R	1	1										07'0201			
	[02]	PAD-BRAKE PEDAL																		
	4887111000	M/T		M		1	1										06'0301			
	4887111100	A/T		A		1	1										06'0301			
	[03]	SPRING-BRAKE PEDAL RETURN																		
	4887121000					1	1										06'0301			
	[04]	FULCRUM-CLUTCH & BRAKE PEDAL																		
	3043221001					1	1										06'0301			
	[05]	BUSHING-BRAKE & C/PEDAL																		
	6612913350					2	2										06'0301			
	[06]	WASHER																		
	9331010001					1	1										06'0301		M10 ,SPRING WASHER	
	[07]	NUT																		
	9201410001					1	1										06'0301		M10X1.25 ,HEX	
	[08]	SWITCH ASSY-STOP LAMP																		
	8571008000					1	1										06'0301	07'0131	CHANGED CONNT	
Y	8571008001					1	1										07'0201			
	[09]	PAD-STOPPER																		
	4881321000					1	1										06'0301		CLIP TYPE	
	[20]	PIN-CLEVIS																		
	3046005001					1	1										06'0301	07'0125		
Y	3046005002					1	1										07'0126			
	[21]	PIN-SNAP																		
	9531410001					1	1										06'0301		M10	

4824 BRAKE PIPE(NON ABS/ESP)



4825 BRAKE PIPE(W/ ABS/ESP)



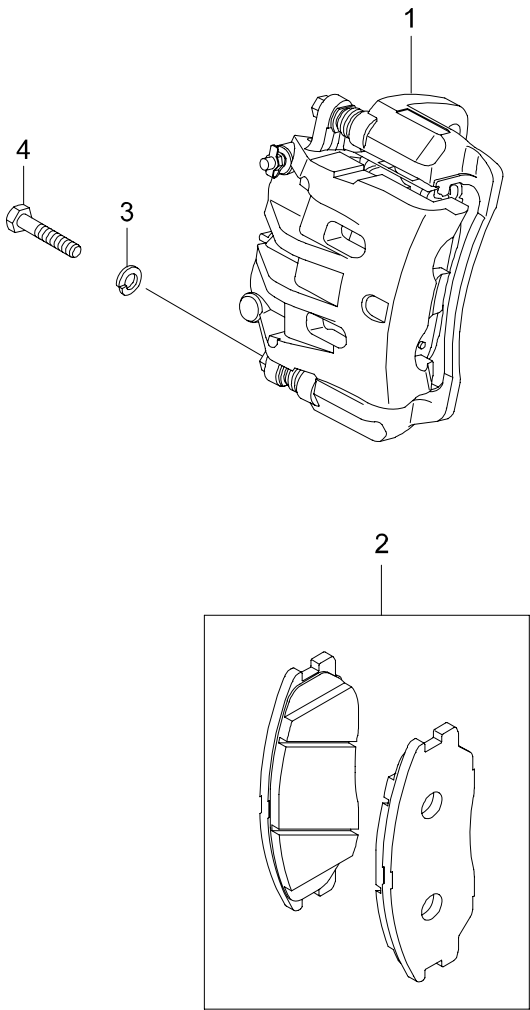
4825 BRAKE PIPE(W/ ABS/ESP)

I T C	KEY NO. PART NO	PART NAME OPTION	L / R	T / M	D R V	MODEL										EFF. DATE		REMARK
						D2	E2	OD	3									
	[01]	<i>TUBE ASSY-M/CYL PRI TO HM</i>																
	4861009100	ABS,-ESP			L	1	1										06'0301	07'0131
Y	4861009101	ABS,-ESP			L	1	1										07'0201	
	4861009200	ABS,+ESP			L	1	1										06'0301	
	4861009600	ABS,-ESP			R	1	1										06'0301	07'0131
Y	4861009601	ABS,-ESP			R	1	1										07'0201	
	4861009700	ABS,+ESP			R	1	1										06'0301	07'0212
Y	4861009701	ABS,+ESP			R	1	1										07'0213	
	[02]	<i>TUBE ASSY-M/CYL SEC TO HM</i>																
	4862009100	ABS,-ESP			L	1	1										06'0301	07'0131
Y	4862009101	ABS,-ESP			L	1	1										07'0201	
	4862009200	ABS,+ESP			L	1	1										06'0301	
	4862009600	ABS,-ESP			R	1	1										06'0301	07'0131
Y	4862009601	ABS,-ESP			R	1	1										07'0201	
	4862009700	ABS,+ESP			R	1	1										06'0301	07'0212
Y	4862009701	ABS,+ESP			R	1	1										07'0213	
	[03]	<i>TUBE ASSY-HM TO FRT</i>																
	4863009100		LH			1	1										06'0301	07'0131
Y	4863009101		LH			1	1										07'0201	
	[04]	<i>TUBE ASSY-HM TO FRT</i>																
	4865009100		RH			1	1										06'0301	07'0131
Y	4865009101		RH			1	1										07'0201	
	[05]	<i>TUBE ASSY-HM TO 2WAY CON</i>																
	4864009100	ABS/ESP	LH			1	1										06'0301	07'0131
Y	4864009101	ABS/ESP	LH	L		1	1										07'0201	
	[06]	<i>TUBE ASSY-HM TO 2WAY CON</i>																
	4867009401	ESP	RH			1	1										06'0301	07'0131
Y	4867009402	ESP	RH			1	1										07'0201	ESP ONLY
	[07]	<i>HOSE ASSY-BRAKE FRT</i>																
	4871009000		LH			1	1										06'0301	07'0226
Y	4871009001		LH			1	1										07'0227	
	4871109000		RH			1	1										06'0301	07'0226
Y	4871109001		RH			1	1										07'0227	
	[08]	<i>HOLDER-BRAKE HOSE MTG FRT</i>																
	4875108001		LH			1	1										06'0301	
	4875208001		RH			1	1										06'0301	

4825 BRAKE PIPE(W/ ABS/ESP)

I T C	KEY NO. PART NO	PART NAME OPTION	L / R	T / M	D R V	MODEL										EFF. DATE		REMARK		
						D2	E2	0D	3										FROM	TO
	[09] 4873503001	CLIP-FLEXIBLE HOSE																06'0301		
	[10] 4871603000	GASKET-BRAKE HOSE TO CALIPER																06'0301		
	[11] 4818005000	EYE BOLT-HOSE TO CALIPER																06'0301	07'0220	
Y	4818005001																	07'0221		
	[12] 4869205000	CLIP-BRAKE TUBE MTG																06'0301		
	[13] 4869505000	CLIP-BRAKE TUBE MTG																06'0301		
	[14] 4869109000	HOLDER-BRAKE TUBE MTG																06'0301		
	[15] 4869808100	CLIP-BRAKE TUBE MTG																06'0301		
	[20] 4865508000	2WAY CONNECTOR-BRAKE TUBE																06'0301		
	[21] 982740616D	SCREW																06'0301		M6X1.0X16 ,HEX SEMS
	[22] 4868009101	TUBE ASSY-2W/CONN TO RR HOSE																06'0301	07'0131	
	ABS/ESP																			
Y	4868009102	ABS/ESP																07'0201		
	[23] 4867009201	TUBE ASSY-2W/CONN TO RR HOSE																06'0301	06'0427	ESP ONLY
Y	4867009202	ESP																06'0428		ESP ONLY
	[24] 4866009101	TUBE ASSY-3W/CONN TO HOSE																06'0301	06'0312	ABS ONLY
Y	4866009102	ABS																06'0313	06'0607	ABS ONLY
Y	4866009103	ABS																06'0608	07'0131	ABS ONLY
Y	4866009104	ABS																07'0201		ABS ONLY
	4867009101	ABS																06'0301	06'1009	ABS ONLY
Y	4867009102																	06'1010	07'0131	ABS ONLY
Y	4867009103																	07'0201		ABS ONLY

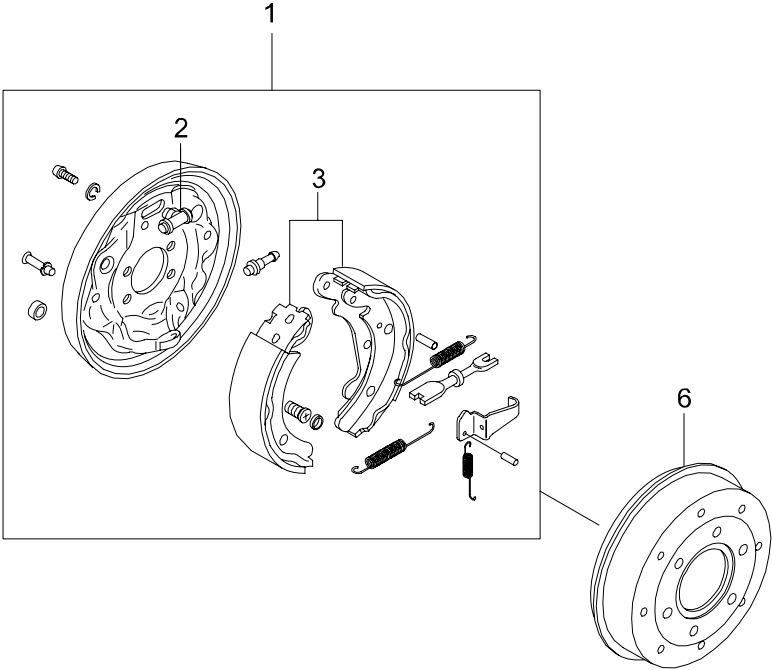
4830 FRONT BRAKE



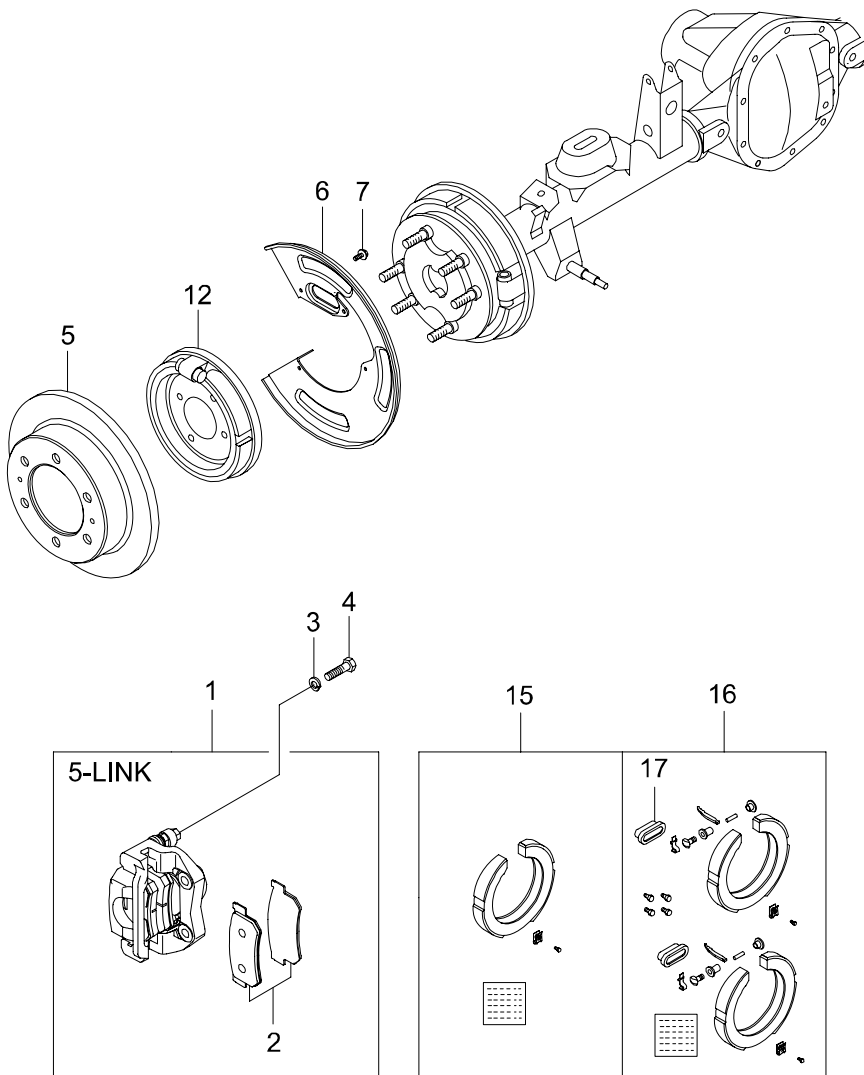
4830 FRONT BRAKE

I T C	KEY NO. PART NO	PART NAME OPTION	L / R	T / M	D R V	MODEL										EFF. DATE		REMARK		
						D2	E2	OD	3										FROM	TO
	[01]	CALIPER ASSY-FRT BRAKE																		
	4811009100	-ABS	LH			1	1										06'0301	07'0330		
Y	4811009101	-ABS	LH			1	1										07'0331	07'0429		
O	4811009102	-ABS	LH			1	1										07'0430			
	4811009150	+ABS	LH			1	1										06'0301	07'0330		
Y	4811009151	+ABS	LH			1	1										07'0331	07'0429		
O	4811009152	+ABS	LH			1	1										07'0430			
	4814009100	-ABS	RH			1	1										06'0301	07'0330		
Y	4814009101	-ABS	RH			1	1										07'0331	07'0429		
O	4814009102	-ABS	RH			1	1										07'0430			
	4814009150	+ABS	RH			1	1										06'0301	07'0330		
Y	4814009151	+ABS	RH			1	1										07'0331	07'0429		
O	4814009152	+ABS	RH			1	1										07'0430			
	[02]	PAD SET-FRT BRAKE																		
	48130091A0					1	1										06'0301		1SET(INR,OUT 4PIECES)	
	[03]	WASHER																		
	933101200D					4	4										06'0301		M12 ,SPRING WASHER	
	[04]	BOLT-CALIPER MTG FRT																		
	4817005001					4	4										06'0301		M12	

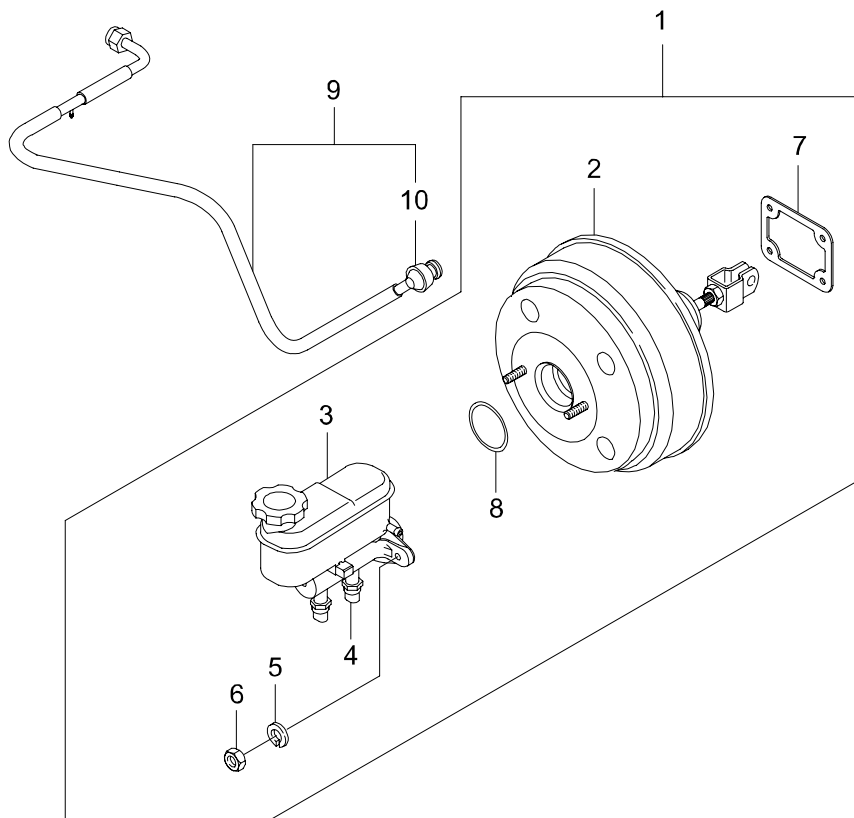
4840 REAR BRAKE(DRUM)



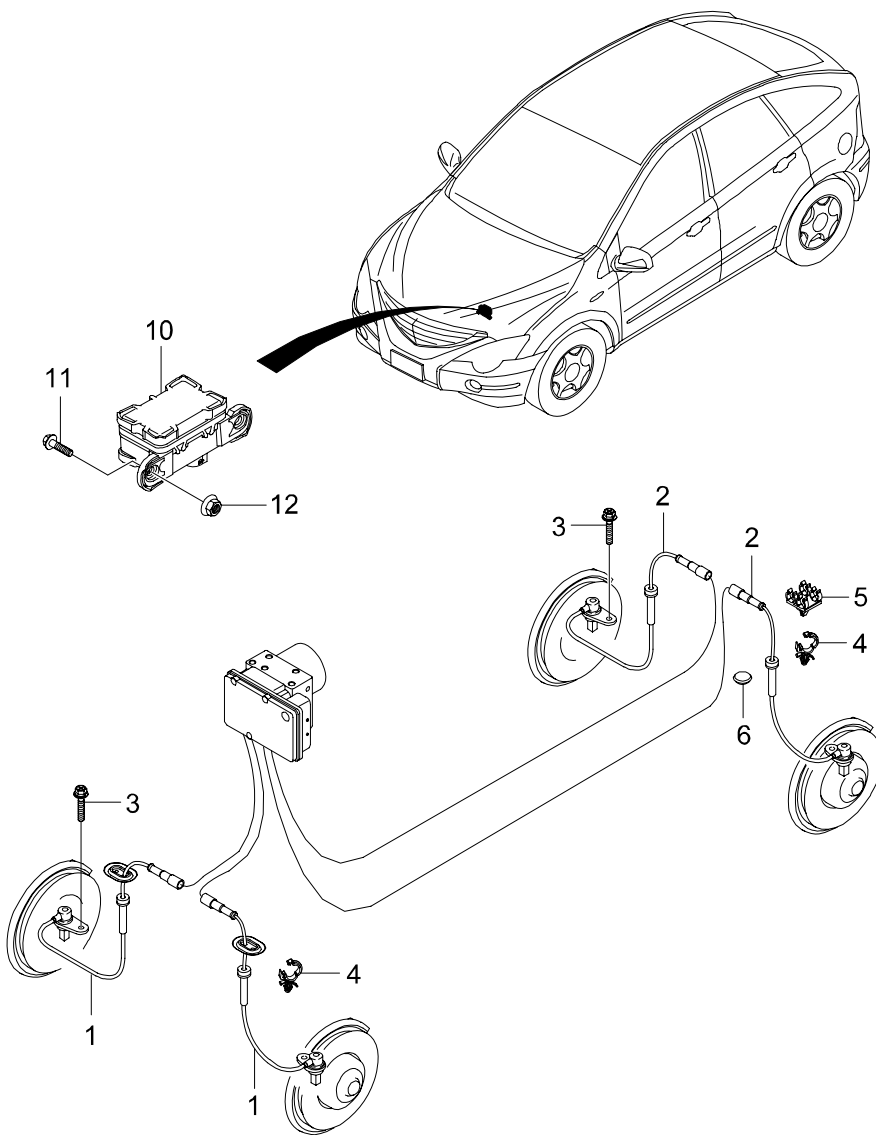
4841 REAR BRAKE(DISC)



4850 MASTER CYLINDER & BOOSTER



4890 ABS SYSTEM

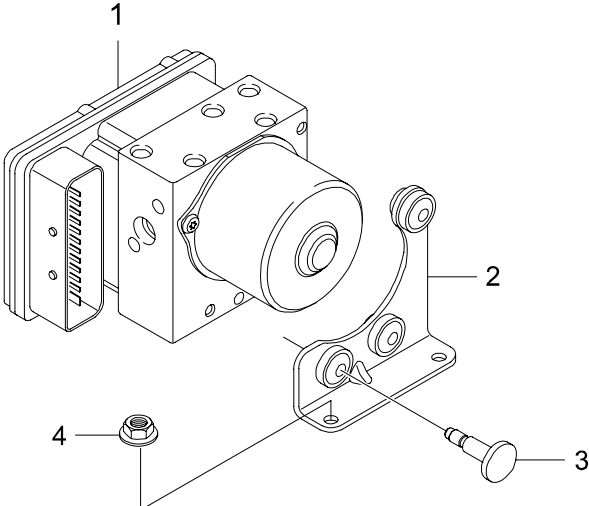


4890 - 01

4890 ABS SYSTEM

I T C	KEY NO. PART NO	PART NAME OPTION	L / R	T / M	D / R / V	MODEL										EFF. DATE		REMARK		
						D2	E2	OD	3										FROM	TO
	[01] 4892009000	<i>SENSOR-WHEEL SPEED FRT</i> 2WD																06'0301		FOR 4WD:IN HUB ASSY(4142009401)
	[02] 4893009200	<i>SENSOR-WHEEL SPEED RR</i> -ABS																	06'0301	
	4893009300	+ABS/ESP,5-LINK																	06'0301	
	[03] 982640616D	<i>SCREW</i>																	06'0301	M6X1.0X16 ,HEX SEMS
	[04] 4899009000	<i>CLIP-CABLE HOLDER</i>																	06'0301	
	[05] 8298011200	<i>CLIP-SENSOR CABLE MTG RR</i>																	06'0301	
	[06] 9514020100	<i>PLUG-BLIND</i>																	06'0301	M20X1.0T
	[10] 4896009000	<i>SENSOR-CLUSTER</i> ESP																	06'0301	
	[11] 982740620D	<i>SCREW</i> ESP																	06'0301	M6X1.0X20 ,HEX SEMS
	[12] 9307406007	<i>NUT</i>																	05'0901	

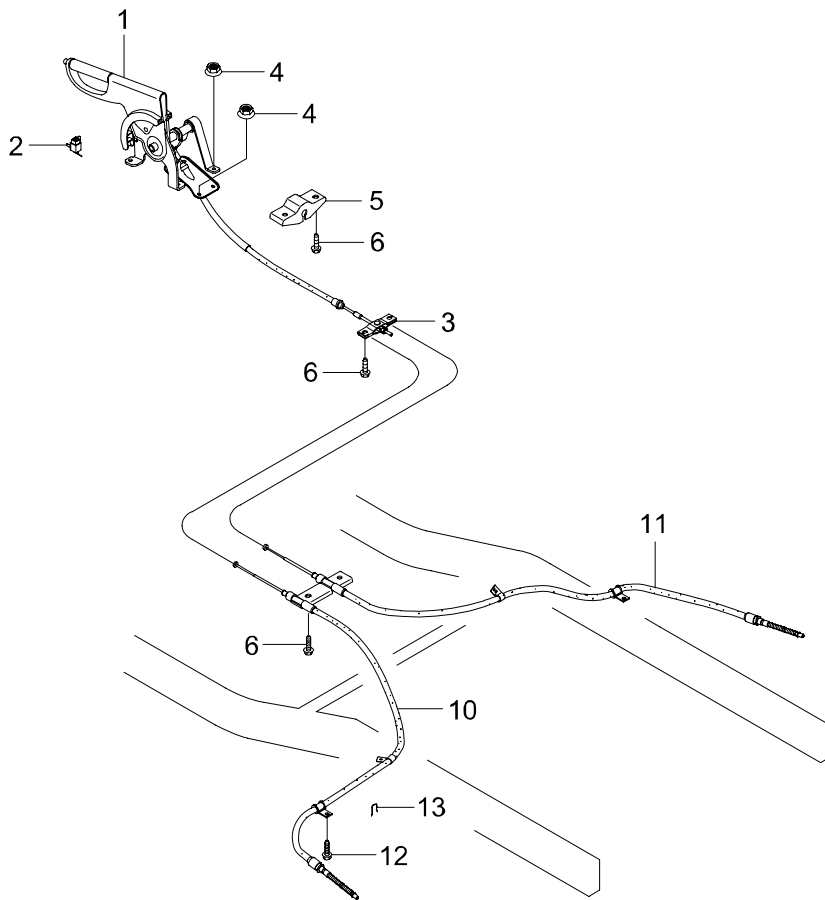
4892 HYDRAULIC MODULATOR(HECU)



4892 HYDRAULIC MODULATOR(HECU)

I T C	KEY NO. PART NO	PART NAME OPTION	L / R	T / M	D R V	MODEL										EFF. DATE		REMARK		
						D2	E2	0D	3										FROM	TO
	[01]	<i>HYDRAULIC UNIT</i>																		
	4891009010	ABS																06'0301		CHARGED BRAKE OIL
N	4891009300	ABS																06'1201		DRY TYPE
O	4891009310	ABS																06'1205		WET TYPE(CHARGED BRAKE OIL)
	4894009011	ESP,-TPMS																06'0301	06'0430	CHARGED BRAKE OIL
	4894009300	ESP,-TPMS																06'0715		06M/Y,DRY TYPE
	4894009310	ESP,-TPMS																06'0715		WET TYPE(CHARGED BRAKE OIL)
	[02]	<i>BRKT ASSY-HECU MTG</i>																		
	4891111100																	06'0301		
	[03]	<i>BOLT-HECU MTG</i>																		
	4891711100																	06'0301		
	[04]	<i>NUT</i>																		
	928840600D																	06'0301		

4910 PARKING BRAKE(HAND PARKING)

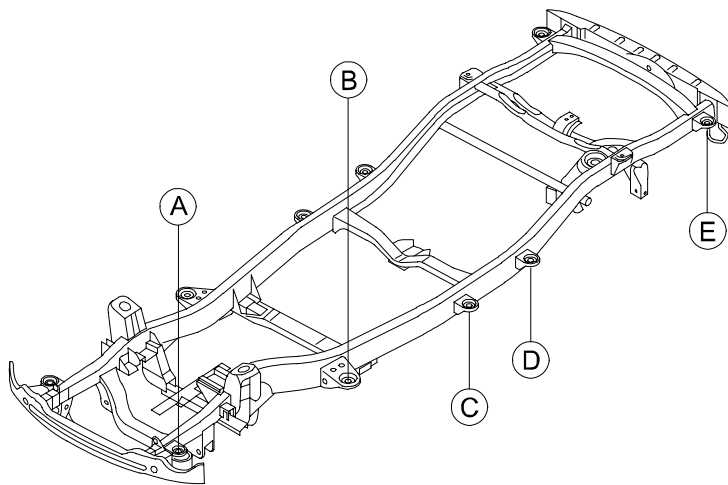


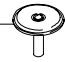
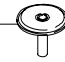
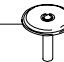
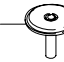


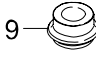
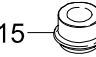
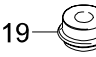
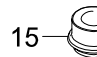
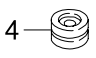
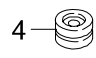
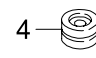
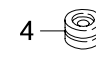
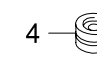
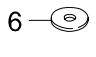
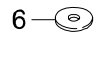
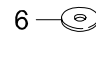
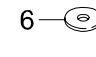
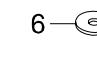



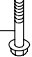

4910 - 01

4910 PARKING BRAKE(HAND PARKING)

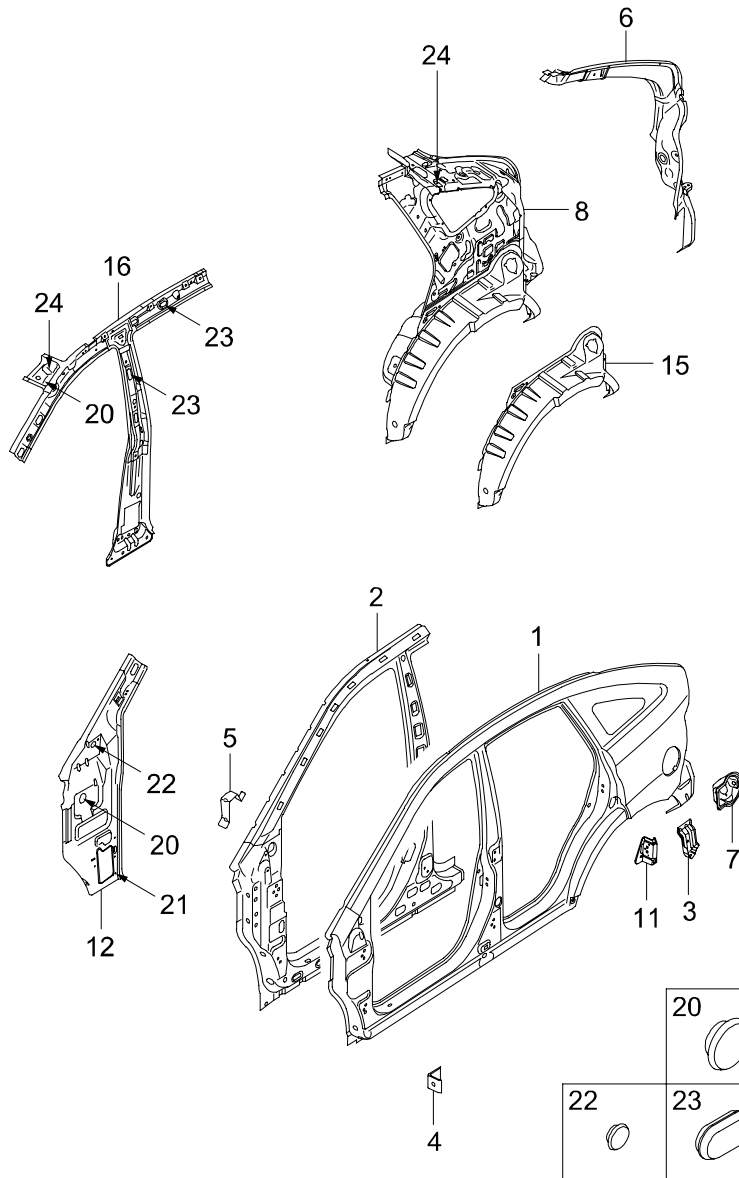
I T C	KEY NO. PART NO	PART NAME OPTION	L / R	T / M	D R V	MODEL										EFF. DATE		REMARK		
						D2	E2	0D	3										FROM	TO
	[01]	LEVER ASSY-PARKING BRAKE																		
	4910031000LAM																			
Y	4910031001LAM																			
Y	4910031002LAM																			
	[02]	SWITCH ASSY-PARKING BRAKE																		
	8572005010																			
Y	8572009000																			
	[03]	EQUALIZER																		
	4927809000																			
	[04]	NUT																		
	928840800D																			M8X1.25 ,HEX FLG
	[05]	BRKT-PARKING BRAKE MTG FRT																		
	4913008000																			
	[06]	BOLT																		
	958140820D																			M8X1.25X20 ,HEX SEMS
	[10]	CABLE ASSY-PARKING BRAKE RR																		
	4901009101	5-LINK,DRUM			LH															
	4901009201	5-LINK,DISC			LH															
	[11]	CABLE ASSY-PARKING BRAKE RR																		
	4902009101	5-LINK,DRUM			RH															
	4902009201	5-LINK,DISC			RH															
	[12]	BOLT																		
	9919708301																			M8X1.25X12 ,COAT
	[13]	RING-PARKING CABLE RETAINING																		
	4902305000																			
Y	4902305001																			

5120 BODY MOUNTING



<u>VIEW A</u>	<u>VIEW B</u>	<u>VIEW C</u>	<u>VIEW D</u>	<u>VIEW E</u>
5 — 	8 — 	16 — 	20 — 	22 — 
3 — 	9 — 	15 — 	19 — 	15 — 
4 — 	4 — 	4 — 	4 — 	4 — 
6 — 	6 — 	6 — 	6 — 	6 — 
10 — 	10 — 	10 — 	7 — 	10 — 

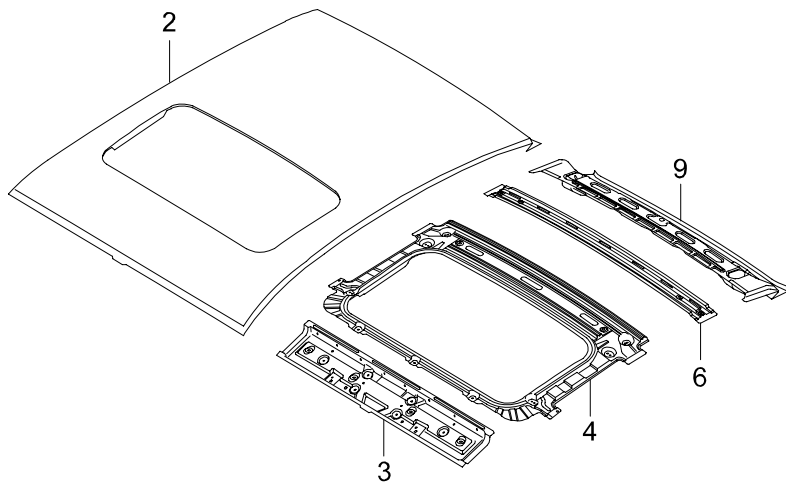
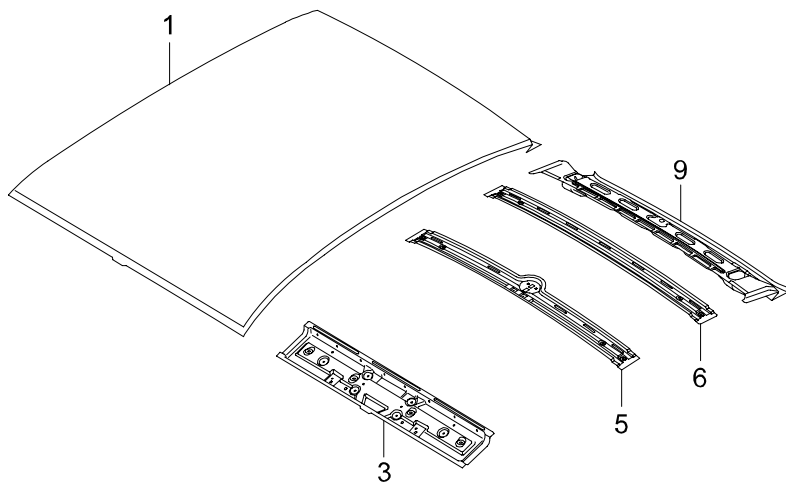
5210 SIDE & REAR BODY



5210 SIDE & REAR BODY

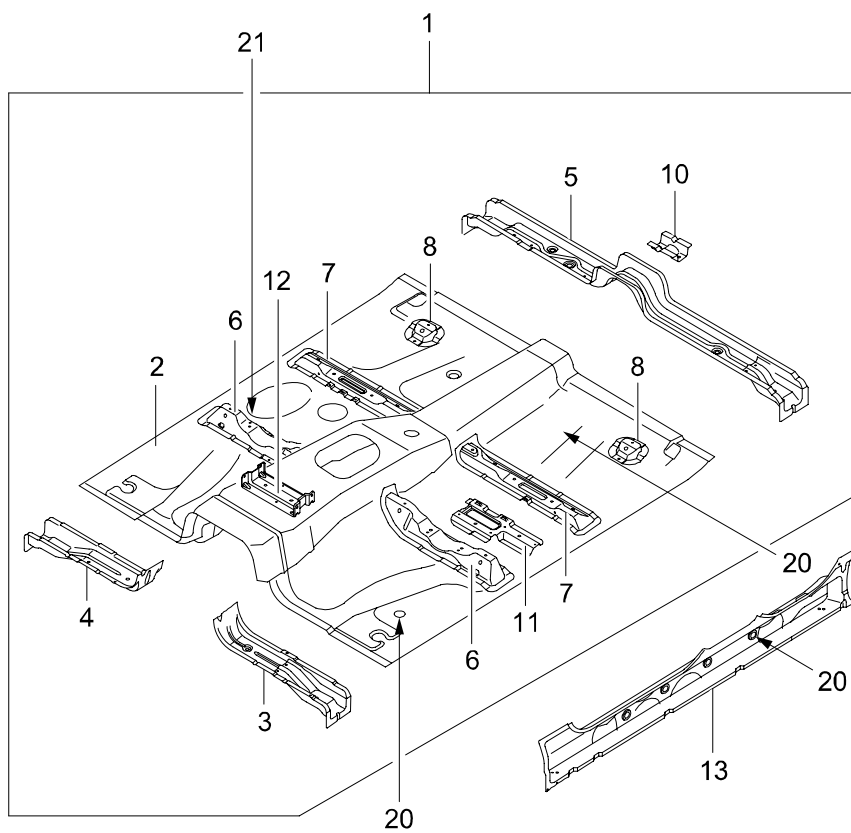
I T C	KEY NO. PART NO	PART NAME OPTION	L / R	T / M	D / R / V	MODEL										EFF. DATE		REMARK		
						D2	E2	0D	3										FROM	TO
	[16] 5240231001	<i>PILLAR ASSY-A B INR</i>	LH			1	1										06'0301	06'1010		
Y	5240231002		LH			1	1										06'1011			
	5240431001		RH			1	1										06'0301	06'1010		
Y	5240431002		RH			1	1										06'1011			
	[20] 9514040120	<i>PLUG-BLIND</i>				4	4										06'0301		M40X1.2T	
	[21] 9514008120	<i>PLUG-BLIND</i>				2	2										06'0301		M8X1.2T	
	[22] 9514020100	<i>PLUG-BLIND</i>				2	2										06'0301		M20X1.0T	
	[23] 6618693008	<i>PLUG-BLIND</i>				12	12										06'0301		20X50X0.8T	
	[24] 9514030100	<i>PLUG-BLIND</i>				4	4										06'0301		M30X1.0T	

5510 ROOF PANEL



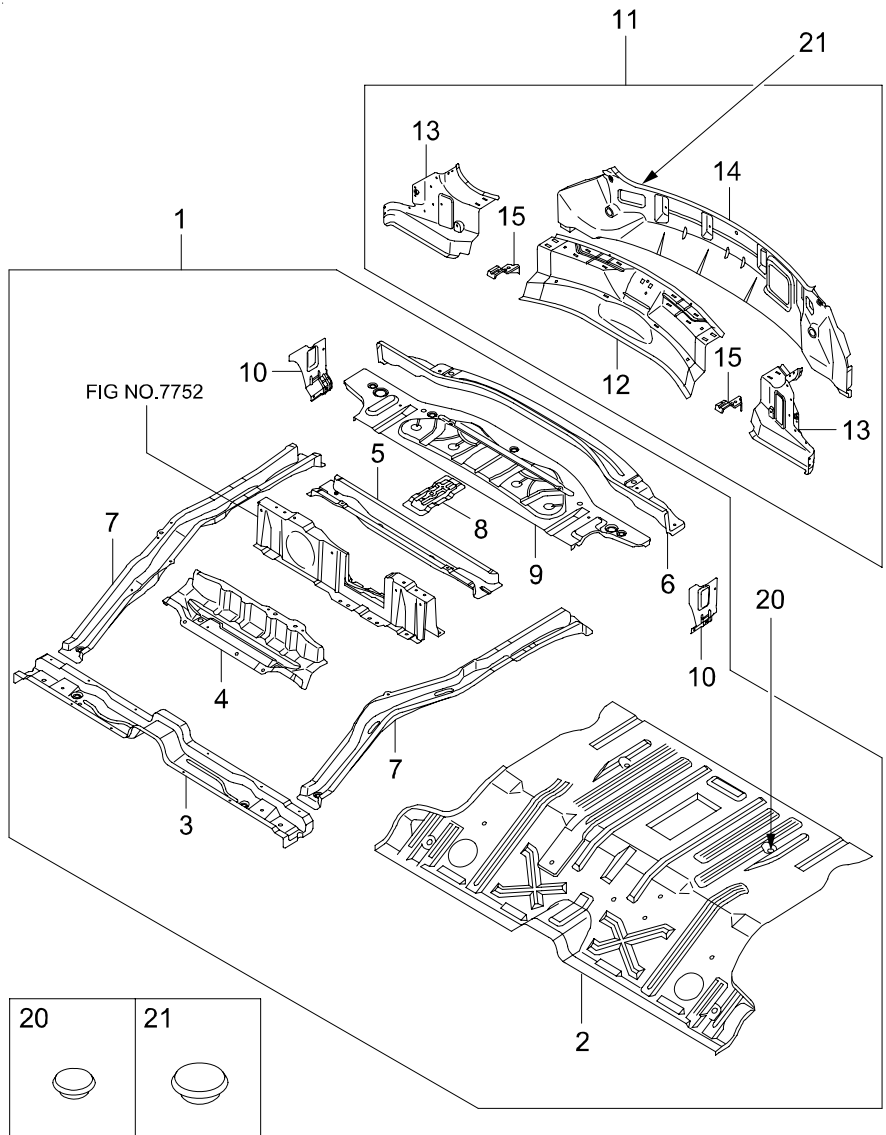
5510 - 01

5610 FRONT FLOOR PANEL

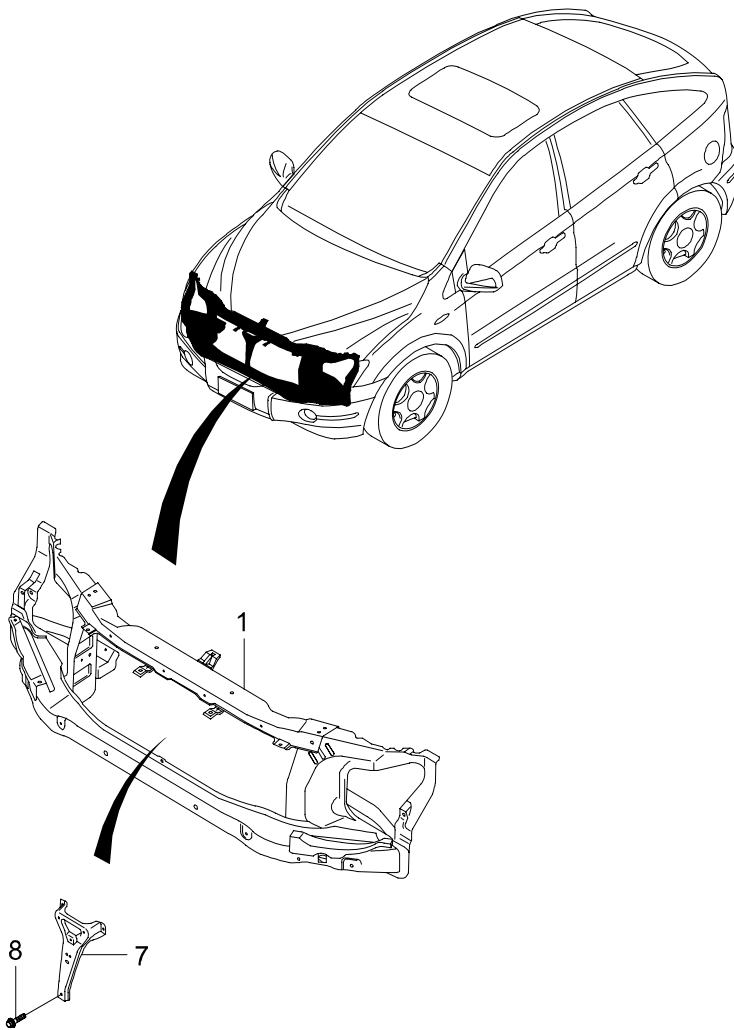


20	21

5620 REAR FLOOR PANEL

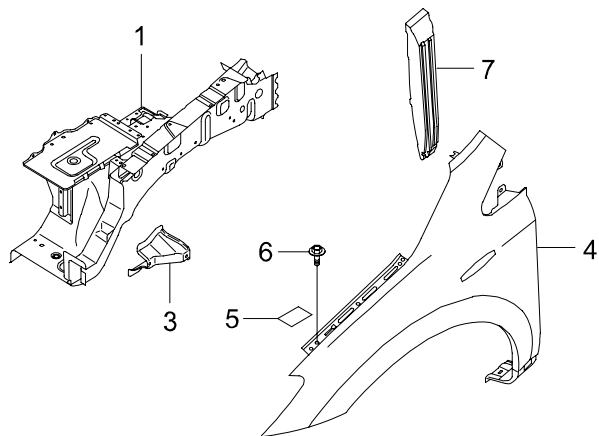
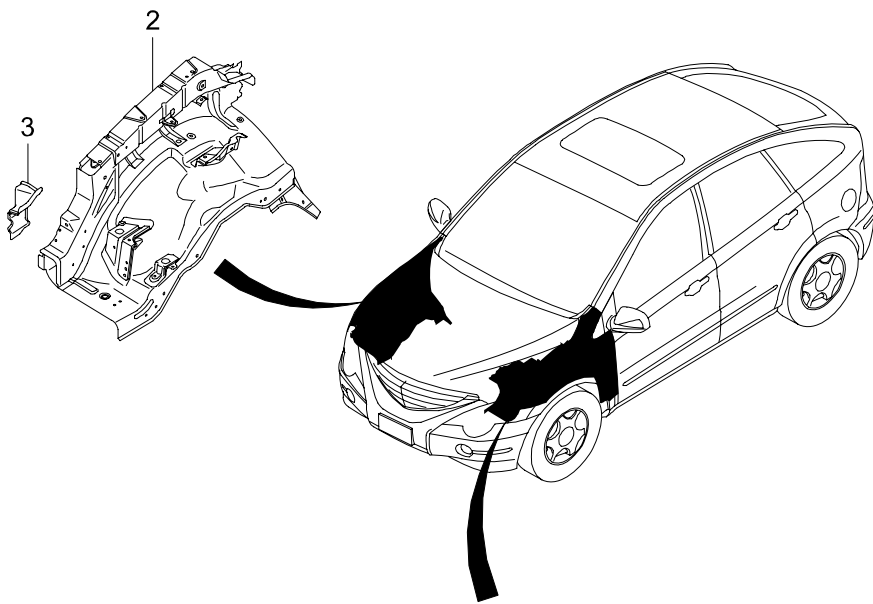


5710 FRONT END PANEL



5710 - 01

5720 FENDER & APRON PANEL

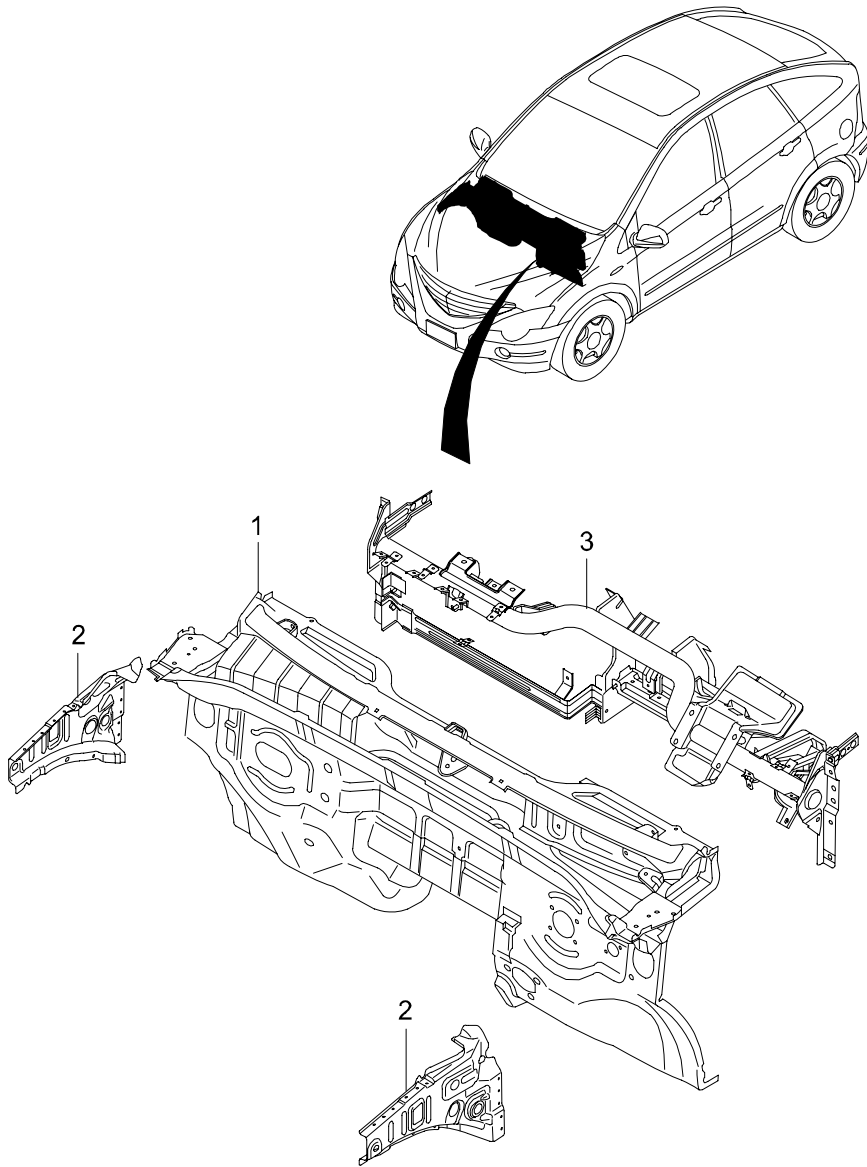


5720 - 01

5720 FENDER & APRON PANEL

I T C	KEY NO. PART NO	PART NAME OPTION	L / R	T / M	D / R / V	MODEL										EFF. DATE		REMARK		
						D2	E2	OD	3										FROM	TO
	[01] 5730131050	<i>PNL ASSY-F/APRON</i> +ABS&ESP	LH															06'0301	06'0917	USE -ABS ALSO +ABS
O	5730131051	+ABS&ESP	LH															06'0918		USE -ABS ALSO +ABS
	[02] 5730231070	<i>PNL ASSY-F/APRON</i> +FFH	RH															06'0301	06'0630	USE -FFH ALSO +FFH
O	5730231071	+FFH	RH															06'0701	07'0521	USE -FFH ALSO +FFH
Y	5730231072	+FFH	RH															07'0522		USE -FFH ALSO +FFH
	[03] 5735231000	<i>BRKT ASSY-FENDER MTG</i>	LH															06'0301		
	5736231000		RH															06'0301		
	[04] 5181131000	<i>PNL-FENDER</i>	LH															06'0301		
	5182131000		RH															06'0301		
	[05] 5189105000	<i>PAD-FENDER MTG SEALING</i>																06'0301		
Y	5189109000																	07'0612		
	[06] 6181905010	<i>BOLT</i>																06'0301		M6X1.0X14 ,FLANGE
	[07] 7971509002	<i>SEAL-FENDER</i>	LH															06'0301		
	7972509002		RH															06'0301		

5730 DASH PANEL & COWL

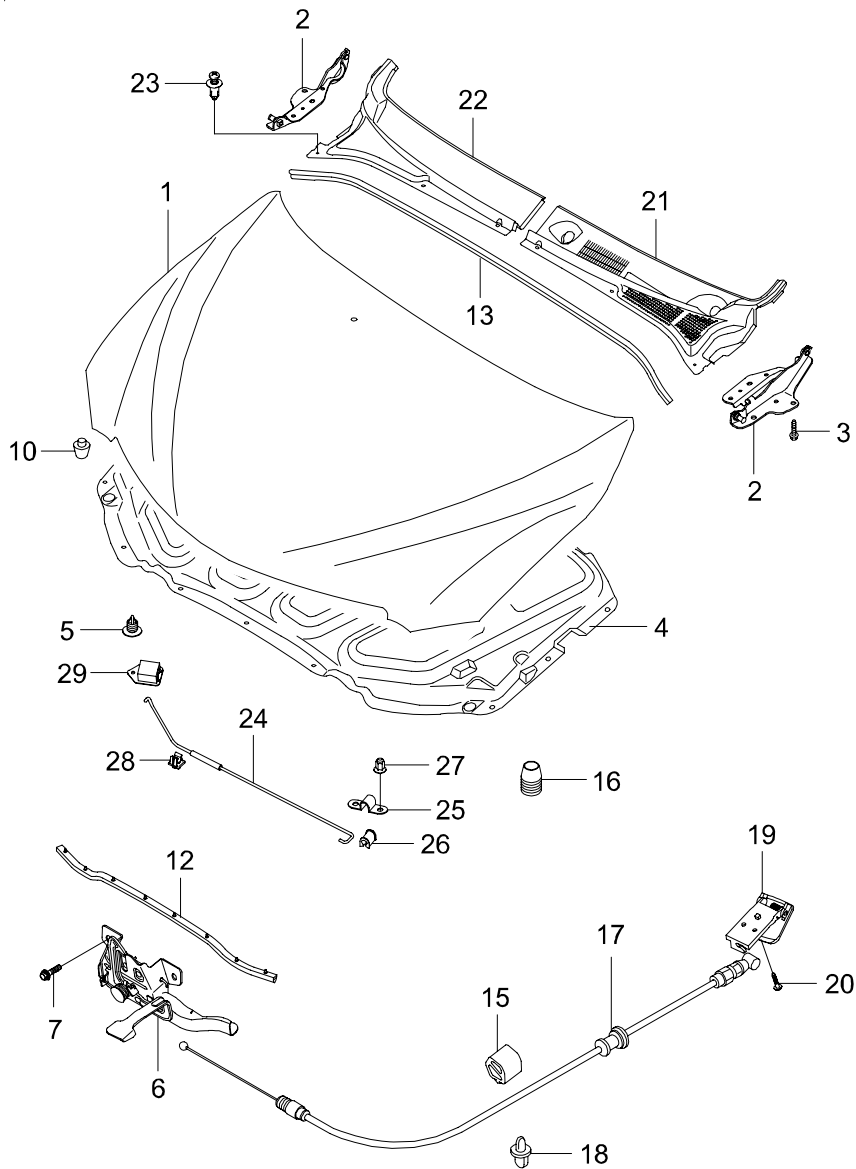


5730 - 01

5730 DASH PANEL & COWL

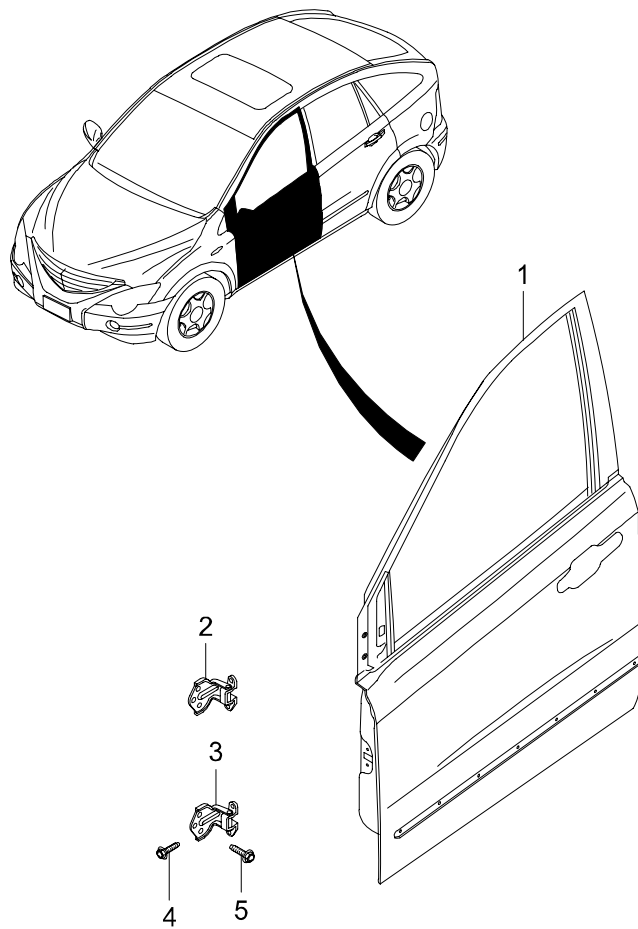
I T C	KEY NO. PART NO	PART NAME OPTION	L / R	T / M	D R V	MODEL										EFF. DATE		REMARK		
						D2	E2	0D	3										FROM	TO
	[01]	<i>PNL ASSY-DASH & COWL</i>																		
	5750009A01				M	L	1	1									06'0301	06'0927		
O	5750009A02				M	L	1	1									06'0928			
	5750009A50				A	L	1	1									06'0301	06'0920		
O	5750009A52				A	L	1	1									06'0921			
	5750009C02				M	R	1	1									06'0301	06'0614		
O	5750009C03				M	R	1	1									06'0615			
	5750009C50				A	R	1	1									06'0301	06'0613		
O	5750009C53				A	R	1	1									06'0614			
O	5750009C10	SSPS			M	R	1	1									07'0305		2007 M/Y	
O	5750009C60	SSPS			A	R	1	1									07'0305		2007 M/Y	
	[02]	<i>MEMBER ASSY-COWL SIDE UPR</i>																		
	5193031000				LH		1	1									06'0301			
	5194031000				RH		1	1									06'0301			
	[03]	<i>CROSS MEMBER ASSY</i>																		
	5150009002	-AV SYSTEM, DUAL A/BAG			L		1	1									06'0301	07'0419		
Y	5150009003	-AV SYSTEM, DUAL A/BAG			L		1	1									07'0420			
	5150009900				R		1	1									06'0301	07'0520		
Y	5150009901				R		1	1									07'0521			

6110 HOOD PANEL



6110 - 01

6210 FRONT DOOR PANEL

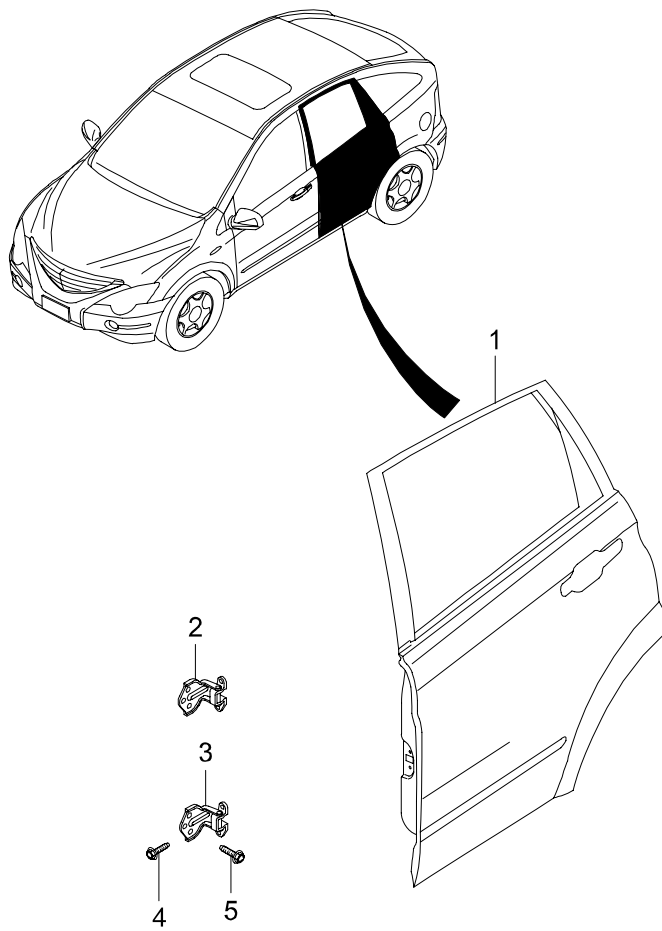


6210 - 01

6210 FRONT DOOR PANEL

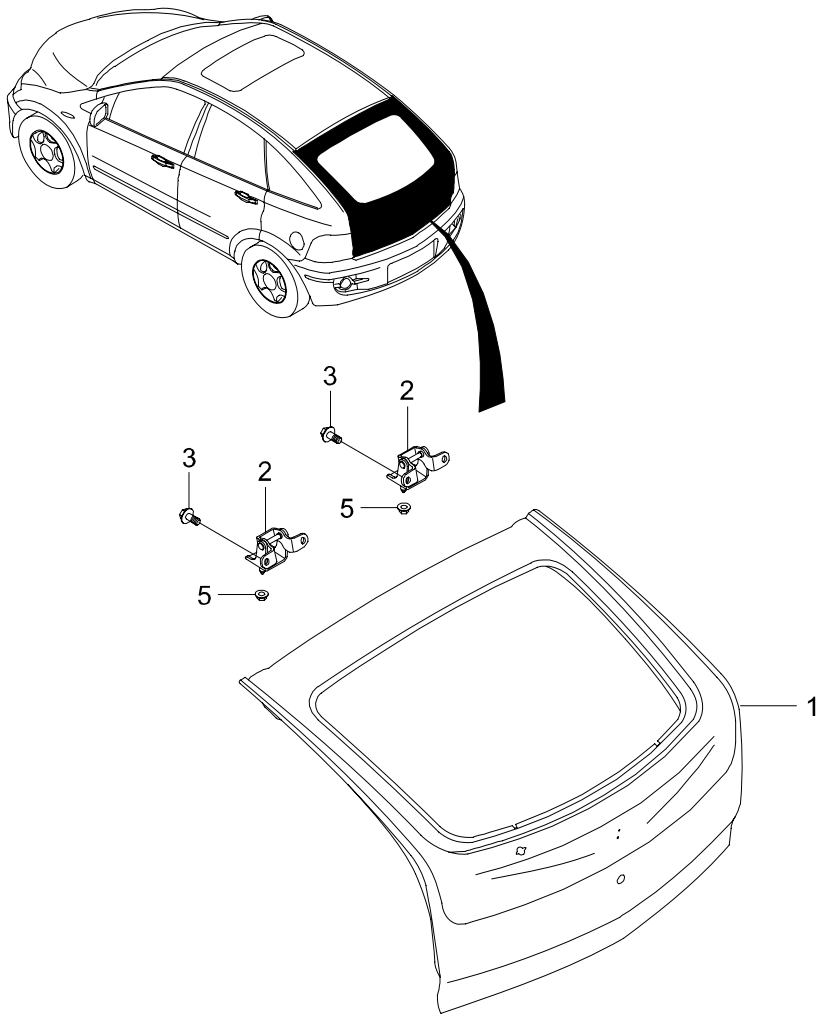
I T C	KEY NO. PART NO	PART NAME OPTION	L / R	T / M	D R V	MODEL										EFF. DATE		REMARK			
						D2	E2	OD	3										FROM	TO	
	[01]	<i>PNL ASSY-FRT DR</i>																			
	6201109000		LH			1	1										06'0301	06'0917			
N	6201109001		LH			1	1										06'0918				DUST SEAL MTG HOLE DELETED
	6202109000		RH			1	1										06'0301	06'0917			
N	6202109001		RH			1	1										06'0918				DUST SEAL MTG HOLE DELETED
	[02]	<i>HINGE ASSY-FRT DR UPR</i>																			
	6281009000		LH			1	1										06'0301	07'0131			
Y	6281009001		LH			1	1										07'0201				CHANGE MATERIAL(6+ CR->3+ CR)
	6282009000		RH			1	1										06'0301	07'0131			
Y	6282009001		RH			1	1										07'0201				CHANGE MATERIAL(6+ CR->3+ CR)
	[03]	<i>HINGE ASSY-FRT DR LWR</i>																			
	6283009000		LH			1	1										06'0301	07'0131			
Y	6283009001		LH			1	1										07'0201				CHANGE MATERIAL(6+ CR->3+ CR)
	6284009000		RH			1	1										06'0301	07'0131			
Y	6284009001		RH			1	1										07'0201				CHANGE MATERIAL(6+ CR->3+ CR)
	[04]	<i>BOLT-DR SIDE HINGE</i>																			
	6281621000					4	4										06'0301				DOOR SIDE,M8X1.25X25,"7" MARK
	[05]	<i>BOLT-DR HGE MTG FLANGE</i>																			
	6481908000					6	6										06'0301				BODY SIDE,M10X1.25X25

6310 REAR DOOR PANEL



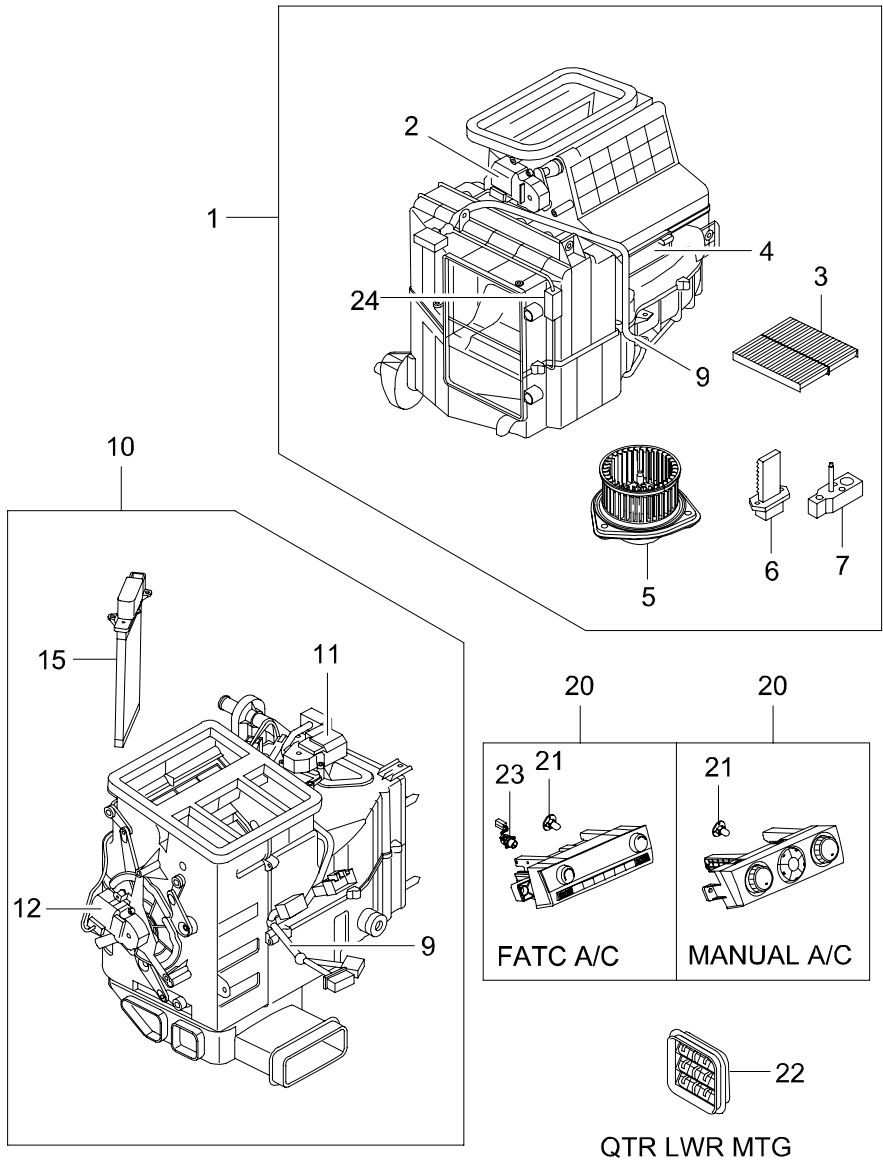
6310 - 01

6410 TAIL GATE PANEL



6410 - 01

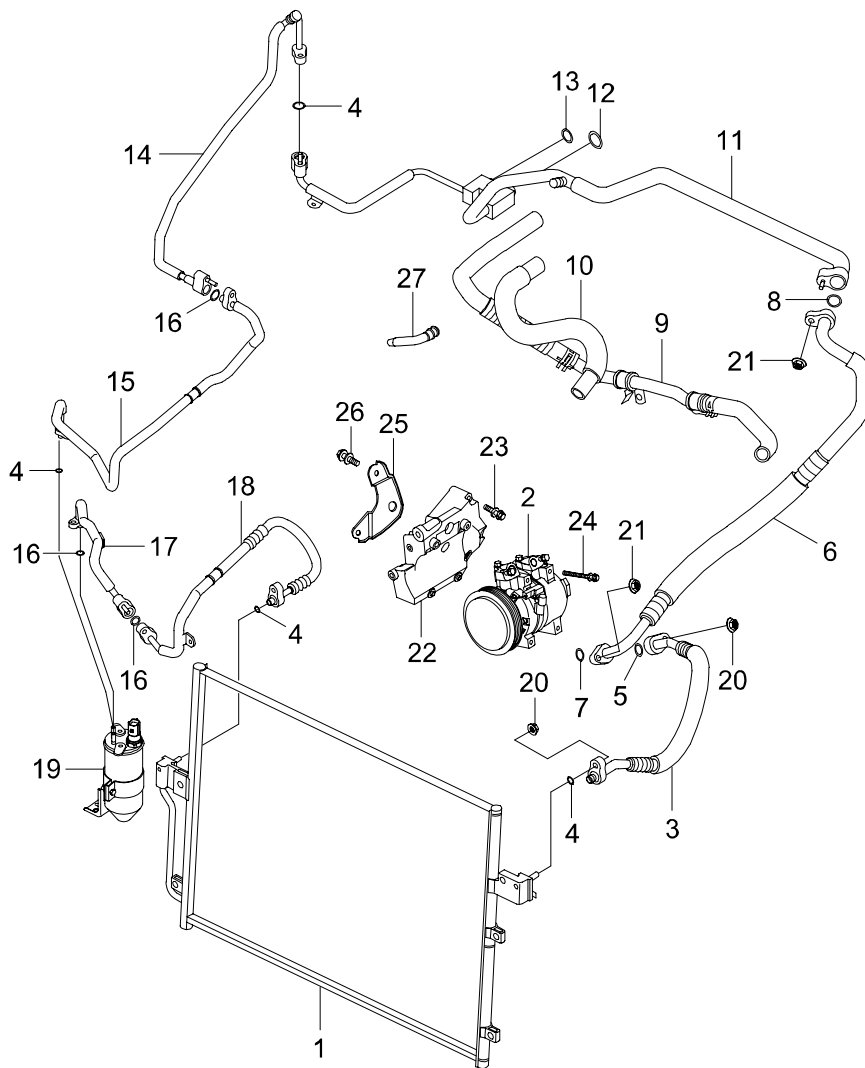
6810 AIR CONDITIONER MODULE



6810 AIR CONDITIONER MODULE

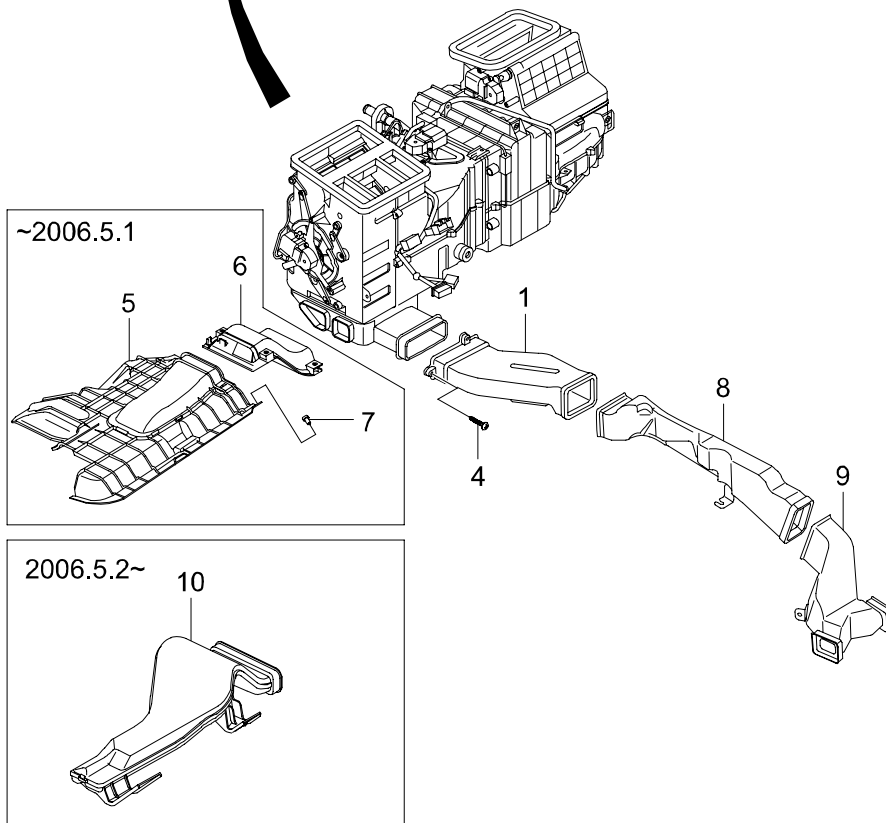
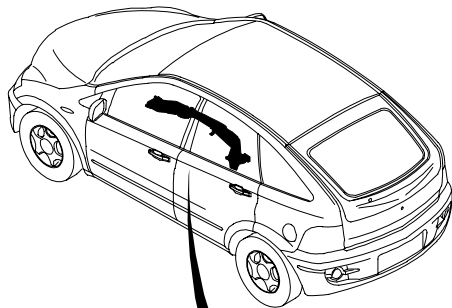
I T C	KEY NO. PART NO	PART NAME OPTION	L / R	T / M	D / R / V	MODEL										EFF. DATE		REMARK		
						D2	E2	0D	3										FROM	TO
	[01]	BLOWER & EVAPORATOR ASSY																		
	6811009100	MANUAL			L	1												06'0301		
	6811009150	MANUAL			R	1												06'0301		
	6812009100	MANUAL			L		1											06'0715		
	6812009150	MANUAL			R		1											06'0715		
	6813009100	FATC			L	1												06'0301		
	6813009150	FATC			R	1												06'0301		
	6814009100	FATC			L		1											06'0715		
	6814009150	FATC			R		1											06'0715		
	[02]	ACTUATOR ASSY-INTAKE																		
	6811109110	MANUAL,GSL FATC			L	1	1											06'0301		
	6811109510	MANUAL			R	1	1											06'0301		
	6811109120	FATC			L	1												06'0301		
	6811109520	FATC			R	1	1											06'0301		
	[03]	AIR FILTER ASSY																		
	68111091A0				L	1	1											06'0301	2 PIECES 1SET PACKING	
	6811109530				R	1	1											06'0301	2PIECE 1SET PACK,COMMON MANUAL/FATC	
	[04]	COVER-AIR FILTER																		
	6811109140				L	1	1											06'0301		
	6811109540				R	1	1											06'0301		
	[05]	BLOWER MOTOR ASSY																		
	6811109150				L	1	1											06'0301		
	6811109550				R	1	1											06'0301		
	[06]	RESISTOR																		
	6811109160	MANUAL			L	1	1											06'0301		
	6811109560	MANUAL			R	1	1											06'0301		
	6811109170	FATC					1	1										06'0301	LHD/RHD COMMON	
	[07]	EXPANSION VALVE ASSY																		
	6811109200				L	1	1											06'0301		
	6811109250				R	1	1											06'0301		
	[09]	WIRING ASSY-HEATER & EVAPORATOR																		
	6916009100	MNL A/C			L	1	1											06'0301		
	6916009110	FATC A/C					1	1										06'0301		
	6916009500	MNL A/C			R	1	1											06'0301		

6820 AIR CONDITIONER HOSE & PIPE

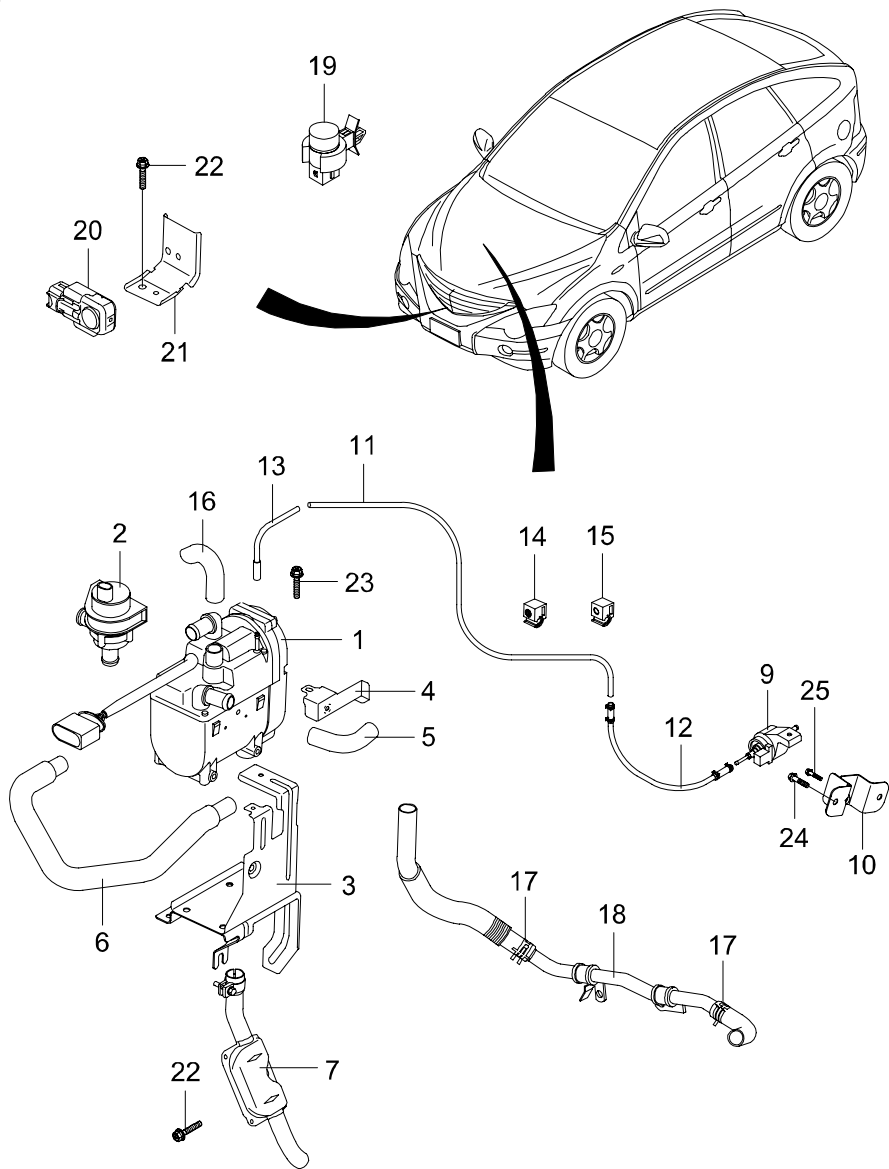


6820 - 01

6830 AIR DISTRIBUTOR



6910 FUEL FIRED HEATER



6910 - 01

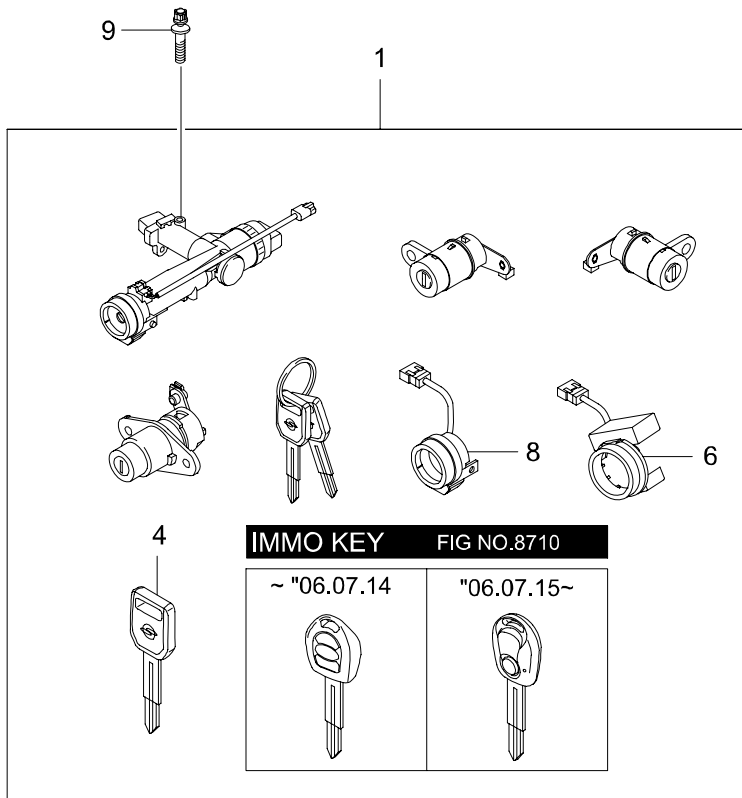
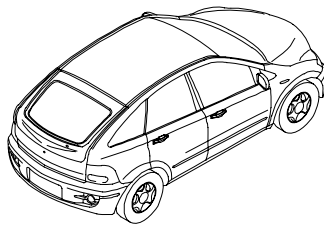
6910 FUEL FIRED HEATER

I T C	KEY NO. PART NO	PART NAME OPTION	L / R	T / M	D R V	MODEL										EFF. DATE		REMARK				
						D2	E2	OD	3												FROM	TO
	[01] 6910009700	HEATER ASSY-FUEL FIRED			L	1												06'0301				
	[02] 6910008710	PUMP & BRKT ASSY-WATER			L	1												06'0301				
	[03] 6910009500	BRKT ASSY-FUEL FIRED HEATER			L	1												06'0301				
	[04] 6910009740	BRKT ASSY-WATER			L	1												06'0301				
	[05] 6941009530	HOSE ASSY-FFH NO3 INLET			L	1												06'0301				
	[06] 6941009520	HOSE ASSY-FFH NO2 INLET			L	1												06'0301				
	[07] 6910009550	SILENCER & PIPE ASSY-EXHAUST			L	1												06'0301				
	[09] 6910008750	PUMP ASSY-FUEL			L	1												06'0301	07'0208			
Y	6910008J00					1												07'0209		CHANGE MATERIAL(6+CR->3+CR)		
	[10] 6910008760	BRKT ASSY-FUEL PUMP			L	1												06'0301				
	[11] 6943009500	PIPE ASSY-FUEL NO1			L	1												06'0301	07'0201			
Y	6943009501				L	1												07'0202		CHANGE MATERIAL(6+CR->3+ CR)		
	[12] 6943008910	PIPE ASSY-FUEL NO2			L	1												06'0301	07'0131			
Y	6943008911					1												07'0201		CHANGE MATERIAL(6+CR->3+ CR)		
	[13] 6943009520	PIPE ASSY-FUEL NO3			L	1												06'0301	07'0201			
Y	6943009521				L	1												07'0202		CHANGE MATERIAL(6+CR->3+ CR)		
	[14] 4869105000	CLIP-BRAKE TUBE MTG			L	3												06'0301				

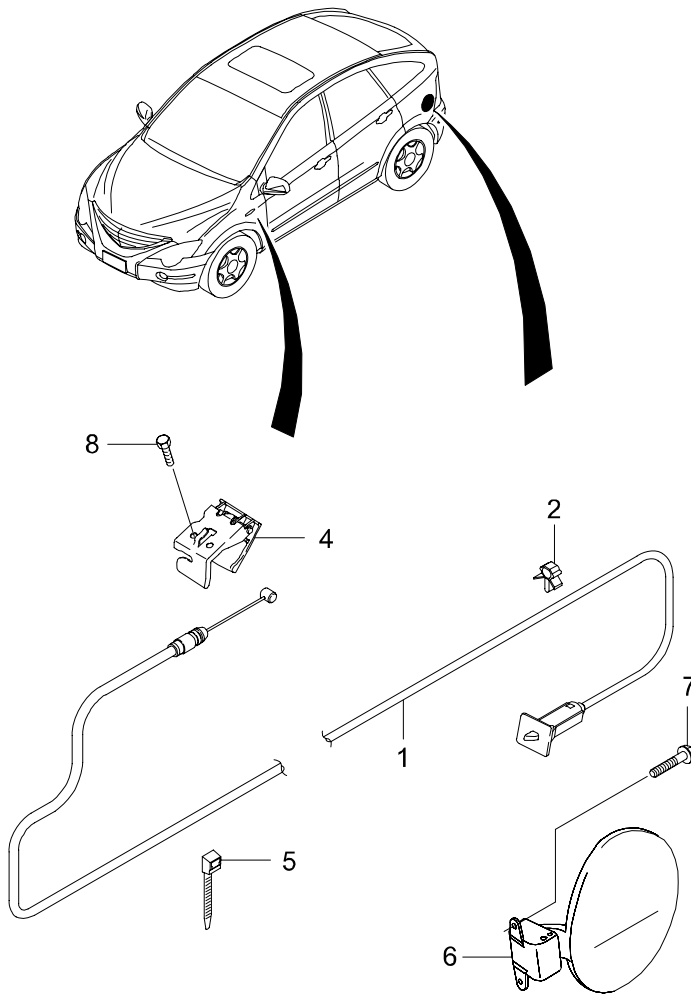
6910 FUEL FIRED HEATER

I T C	KEY NO. PART NO	PART NAME OPTION	L / R	T / M	D R V	MODEL										EFF. DATE		REMARK	
						D2 0D	E2 3												FROM
	[15] 4869106300	CLIP-BRAKE TUBE MTG			L	2											06'0301		
	[16] 6943008800	HOSE-AIR INTAKE			L	1											06'0301		
	[17] 946572300M	CLAMP			L	2											06'0301		M23, SPRT
	[18] 6941009500	HOSE ASSY-FFH NO1 INLET			L	1											06'0301	07'0201	
Y	6941009501				L	1											07'0202		CHANGE MATERIAL(6- CR->3+ CR)
	[19] 6910008770	SENSOR ASSY-TEMPERATURE			L	1											06'0301		
	[20] 8539011400	SENSOR ASSY-AQS & AMBIENT FATC				1											06'0301		
	[21] 6870009500	BRKT ASSY-AQS & AMBIENT FATC				1											06'0301		
	[22] 982640616D	SCREW				1											06'0301		M6X1.0X16 ,HEX SEMS
	982740612D	FATC				1											06'0301		M6X1.0X12 ,HEX SEMS
	[23] 982640620D	SCREW				1											06'0301		M6X1.0X20 ,HEX SEMS
	[24] 982640820D	SCREW				1											06'0301		M8X1.25X20 ,HEX SEMS
	[25] 982440620D	SCREW				1											06'0301		M6X1.0X20 ,HEX SEMS

7010 KEY SET

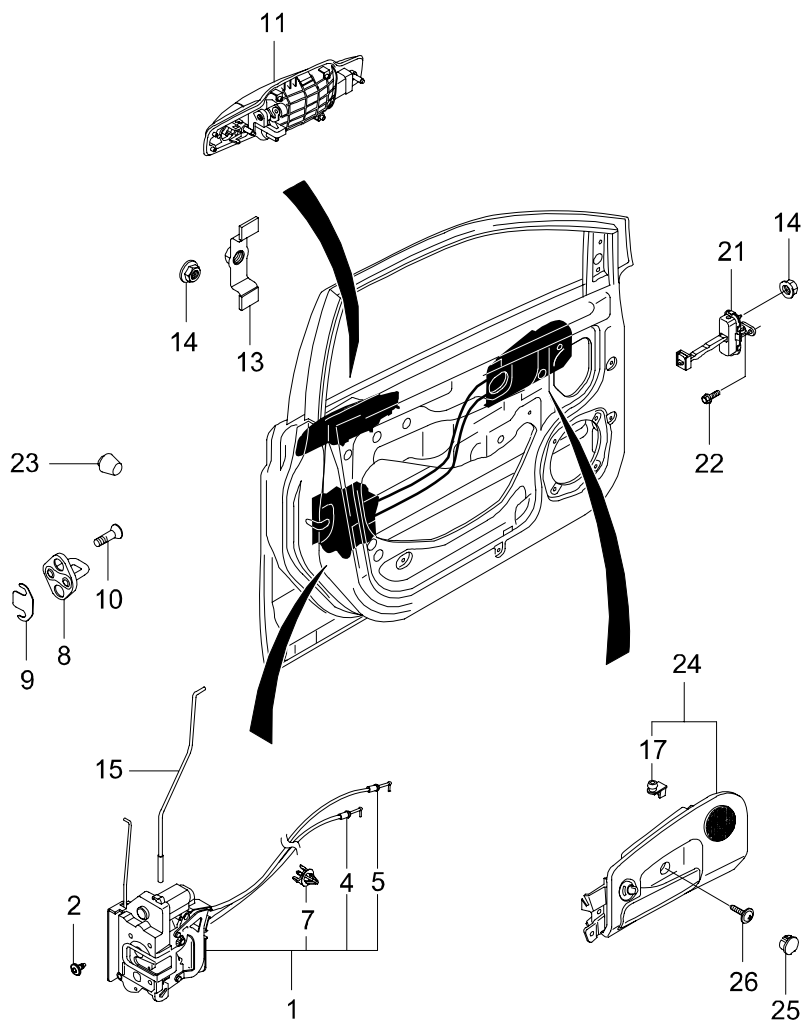


7090 FUEL FILLER DOOR LOCK



7090 - 01

7110 FRT DOOR OPENING SYSTEM

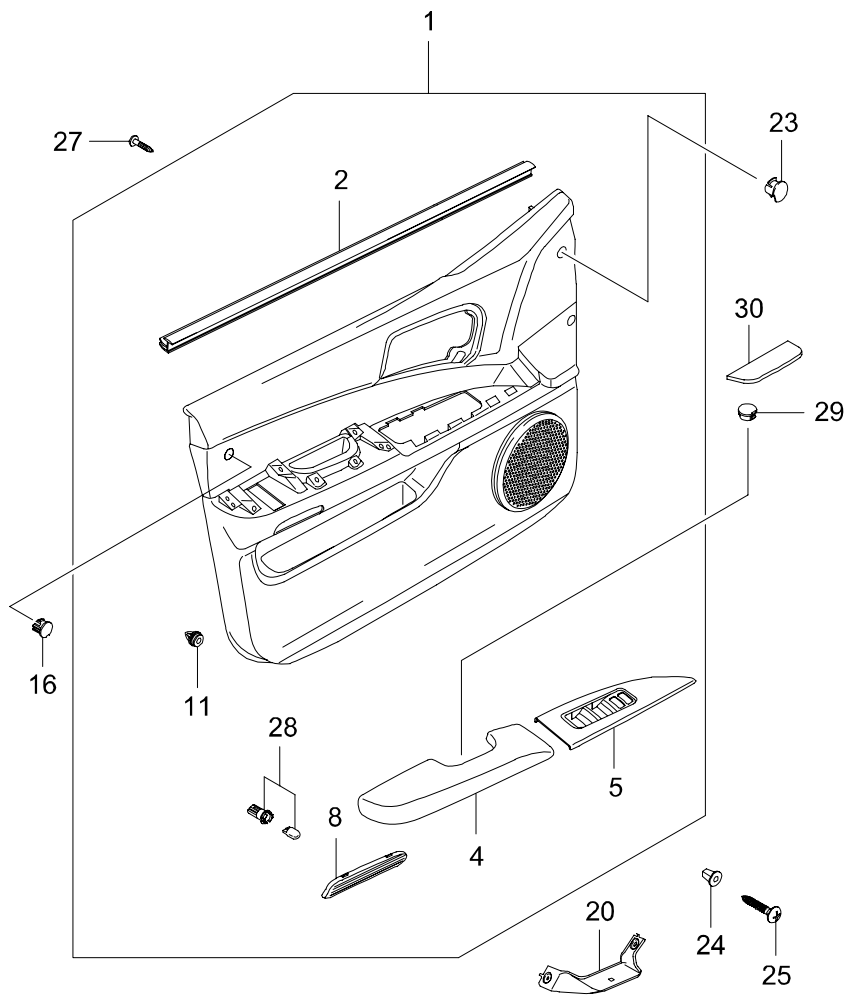


7110 - 01

7110 FRT DOOR OPENING SYSTEM

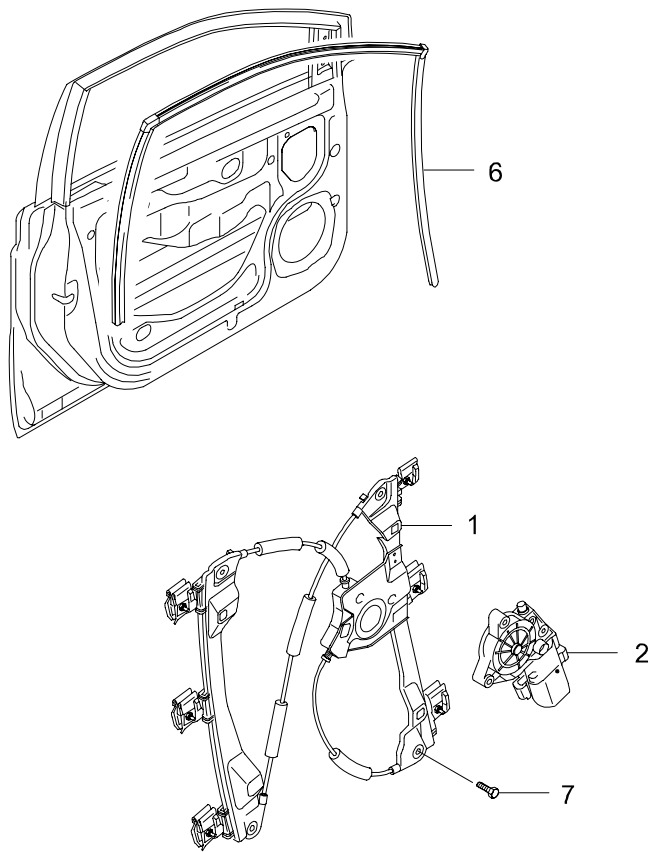
I T C	KEY NO. PART NO	PART NAME OPTION	L / R	T / M	D R V	MODEL										EFF. DATE		REMARK			
						D2	E2	OD	3										FROM	TO	
	[01]	<i>LATCH&CABLE ASSY-FRT DR</i>																			
	7121009023		LH		L	1	1										06'0301	07'0131			
Y	7121009024		LH		L	1	1										07'0201				
	7122009003		RH		L	1	1										06'0301	07'0131			
Y	7122009004		RH		L	1	1										07'0201				
	7121009003		LH		R	1	1										06'0301	07'0131			
Y	7121009004		LH		R	1	1										07'0201				
	7122009023		RH		R	1	1										06'0301	07'0131			
Y	7122009024		RH		R	1	1										07'0201				
	[02]	<i>BOLT-DR LATCH MTG</i>																			
	7120921002					6	6										06'0301				
	[04]	<i>CABLE ASSY-FRT DR I/S HDL</i>																			
	7121209000		LH			1	1										06'0301				
	7122209000		RH			1	1										06'0301				
	[05]	<i>CABLE ASSY-F/DR S/LOCK KNOB</i>																			
	7121309000		LH			1	1										06'0301				
	7122309000		RH			1	1										06'0301				
	[07]	<i>HOLDER-CABLE</i>																			
	7129009000					2	2										06'0301				
	[08]	<i>STRIKER ASSY-DR</i>																			
	7125021001					2	2										06'0301	07'0131			
Y	7125021002					2	2										07'0201				
	[09]	<i>SHIM-DR STRIKER</i>																			
	7125721001					AR	AR										06'0301				
	[10]	<i>SCREW-DR STRIKER MTG</i>																			
	7125908001					4	4										06'0301				
	[11]	<i>HDL ASSY-FRT DR O/S</i>																			
	7244009001LAK		LH			1	1										06'0301	07'0131			
Y	7244009002LAK		LH			1	1										07'0201				
	7244009001WAA		LH			1	1										06'0301	07'0131			
Y	7244009002WAA		LH			1	1										07'0201				
	7244031000SAF		LH			1	1										06'0301	07'0131			
Y	7244031002SAF		LH			1	1										07'0201				
	7244009001ABS		LH			1	1										06'0301	07'0131			
Y	7244009002ABS		LH			1	1										07'0201				
	7244009001BAK		LH			1	1										06'0301	07'0131			

7115 FRT DOOR TRIM



7115 - 01

7120 FRT WINDOW LIFTER

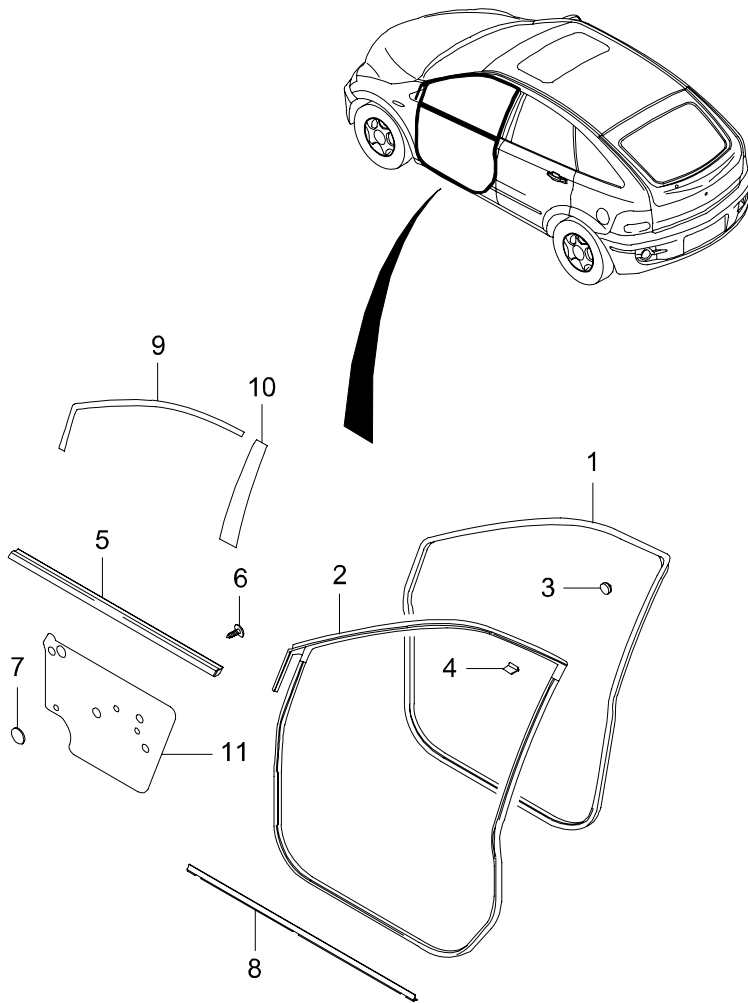


7120 - 01

7120 FRT WINDOW LIFTER

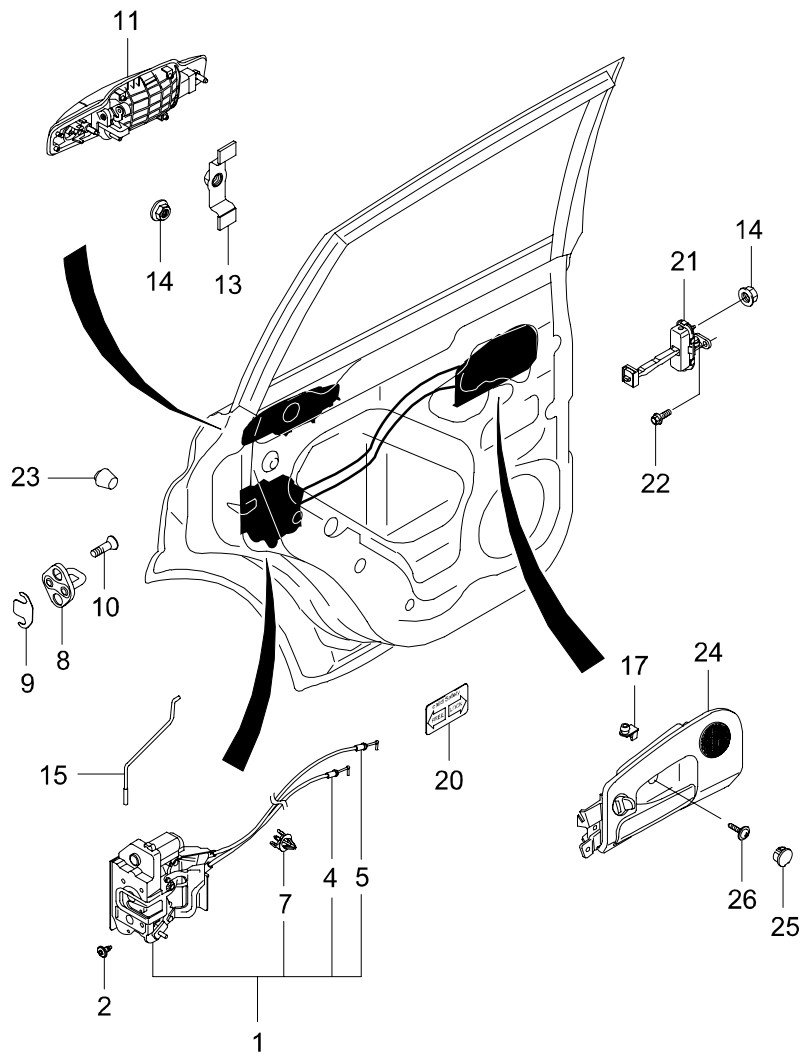
I T C	KEY NO. PART NO	PART NAME OPTION	L / R	T / M	D R V	MODEL										EFF. DATE		REMARK		
						D2	E2	0D	3										FROM	TO
	[01]	<i>REGULATOR-FRT DR P/WINDOW</i>																		
	7231109001		LH			1	1										06'0301	07'0131		
Y	7231109002		LH			1	1										07'0201			
	7232109001		RH			1	1										06'0301	07'0131		
Y	7232109002		RH			1	1										07'0201			
	[02]	<i>MOTOR ASSY-POWER WINDOW FRT</i>																		
	8810009001	AUTO DOWN	LH			1	1										06'0301	07'0131		
Y	8810009002	AUTO DOWN	LH			1	1										07'0201			
	8810009051	AUTO UP/DOWN	LH		L	1	1										06'0301	07'0131	FOR LHD&DRV SAFETY WINDOW	
Y	8810009052	AUTO UP/DOWN	LH		L	1	1										07'0201			
	8810009011	AUTO DOWN	RH			1	1										06'0301	07'0131		
Y	8810009012	AUTO DOWN	RH			1	1										07'0201			
	8810009061	AUTO UP/DOWN	RH		R	1	1										06'0301	07'0131	FOR RHD&DRV SAFETY WINDOW	
Y	8810009062	AUTO UP/DOWN	RH		R	1	1										07'0201			
	[06]	<i>GLASS RUN-FRT DR WINDOW</i>																		
	7237109000		LH			1	1										06'0301			
	7238109000		RH			1	1										06'0301			
	[07]	<i>BOLT</i>																		
	916040610D					10	10										06'0301	06'1217	M6X1.0X10 ,HEX FLG	
O	7260009000					10	10										06'1218		M6X15 HEX FLANGE	

7121 FRT WEATHER STRIP

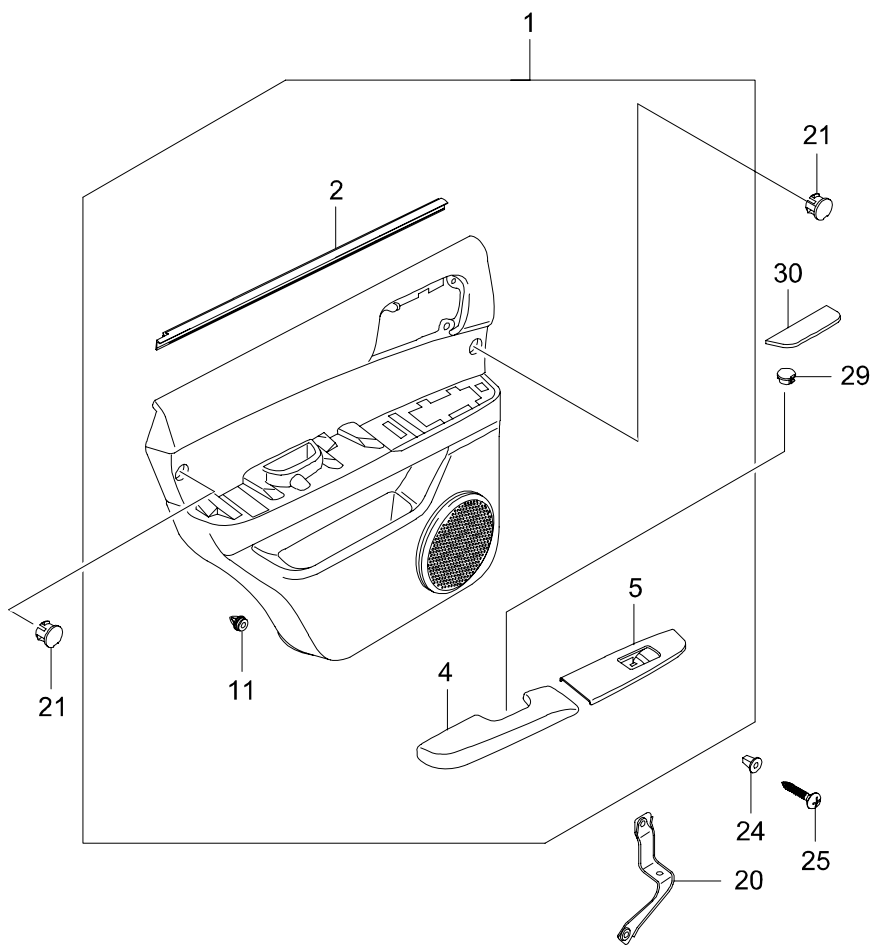


7121 - 01

7210 REAR DOOR OPENING SYSTEM



7215 REAR DOOR TRIM

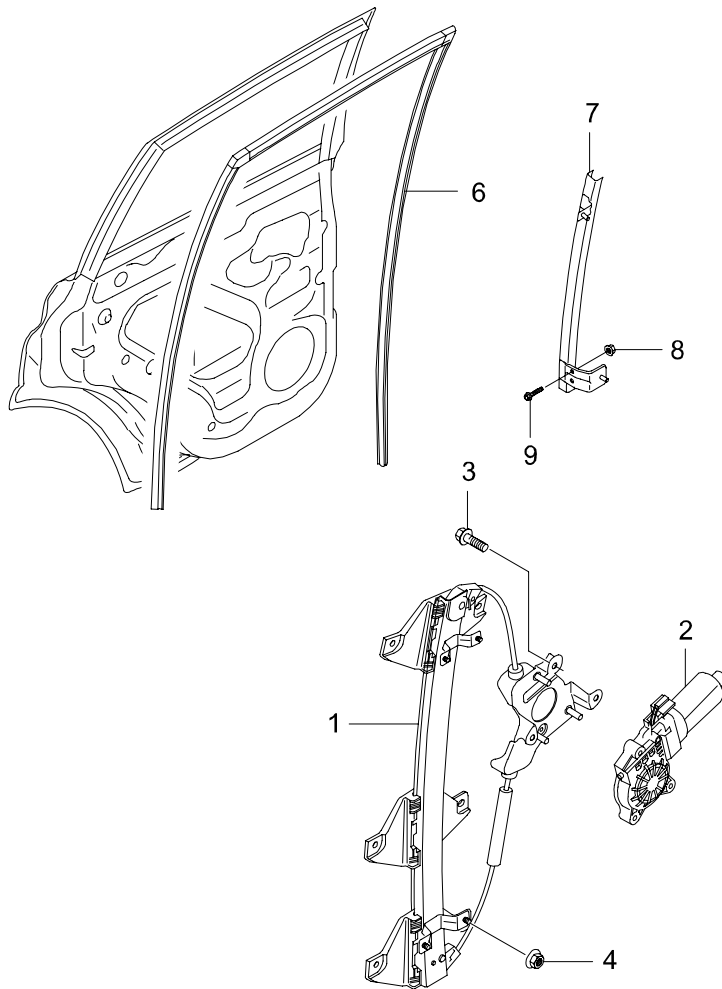


7215 - 01

7215 REAR DOOR TRIM

I T C	KEY NO. PART NO	PART NAME OPTION	L / R	T / M	D / R / V	MODEL										EFF. DATE		REMARK			
						D2	E2	OD	3											FROM	TO
	[01]	<i>TRIM ASSY-RR DR</i>																			
	73201310A0LAM		LH														06'0301	07'0304	EXCEPT P/WINDOW,I/S HDL		
Y	732A131100LAM		LH				1	1									07'0305		07 M/Y,EXCEPT I/S HANDLE & WINDOW S/W		
N	73301310A0LAM	RR WARMER	LH				1	1									06'0715	07'0304	06M/Y,EXCEPT P/WINDOW,I/S HDL		
Y	732A131110LAM	RR WARMER	LH				1	1									07'0305		07 M/Y,EXCEPT I/S HANDLE & WINDOW S/W		
	73202310A0LAM		RH				1										06'0301	07'0304	EXCEPT P/WINDOW,I/S HDL		
Y	732A231100LAM		RH				1	1									07'0305		07 M/Y,EXCEPT I/S HANDLE & WINDOW S/W		
N	73302310A0LAM	RR WARMER	RH				1	1									06'0715	07'0304	06M/Y,EXCEPT P/WINDOW,I/S HDL		
Y	733A231110LAM	RR WARMER	RH				1	1									07'0305		07 M/Y,EXCEPT I/S HANDLE & WINDOW S/W		
	[02]	<i>W/STRIP-RR DR TRIM</i>																			
	7321231000		LH				1	1									06'0301				
	7322231000		RH				1	1									06'0301				
	[04]	<i>PNL ASSY-A/REST RR DR TRIM</i>																			
	7323009000LAM		LH				1	1									06'0301				
	7324009000LAM		RH				1	1									06'0301				
	[05]	<i>BEZEL-RR DR CTR</i>																			
	7325009001LAM		LH				1										06'0301				
N	7325109000LAM	RR WARMER	LH				1	1									06'0715		06M/Y		
	7326009001LAM		RH				1										06'0301				
N	7326109000LAM	RR WARMER	RH				1	1									06'0715		06M/Y		
	[11]	<i>CLIP</i>																			
	7746808000						10	10									06'0301				
	[20]	<i>BRKT-RR DR PULL HDL MTG</i>																			
	7323409000		LH				1	1									06'0301	07'0131			
Y	7323409001		LH				1	1									07'0201	07'0517			
Y	7323409002		LH				1	1									07'0518				
	7324409000		RH				1	1									06'0301	07'0131			
Y	7324409001		RH				1	1									07'0201	07'0517			
Y	7324409002						1	1									07'0518				
	[21]	<i>CAP-DR TRIM CTR</i>																			
	7225831000LAM						4	4									06'0301				

7220 REAR WINDOW LIFTER

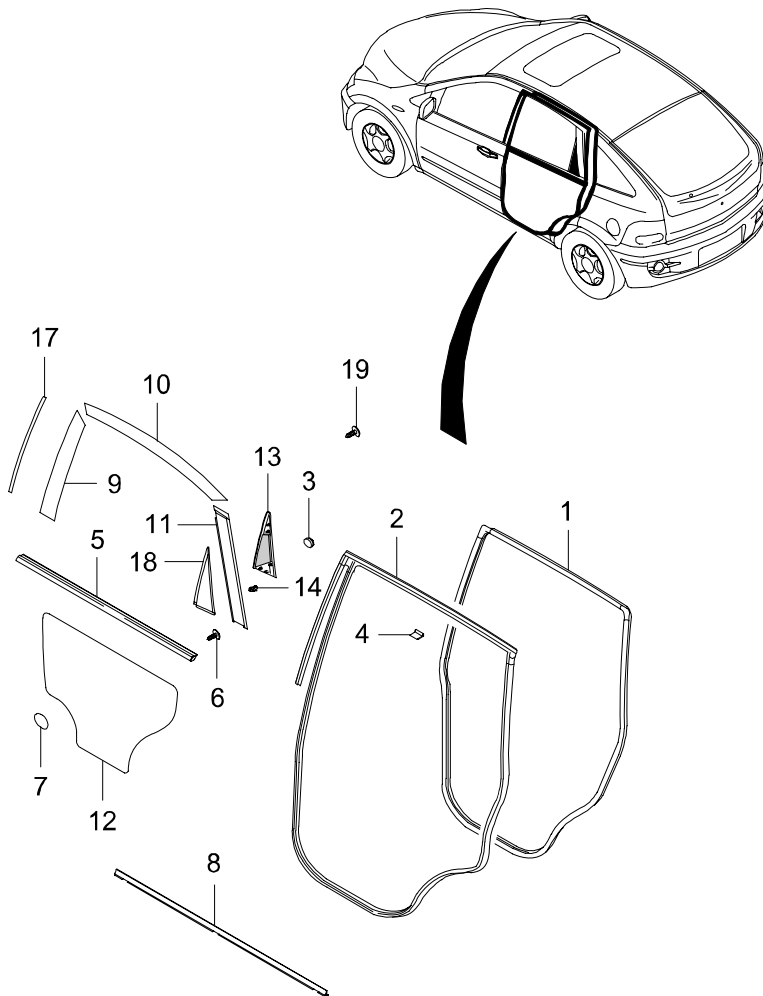


7220 - 01

7220 REAR WINDOW LIFTER

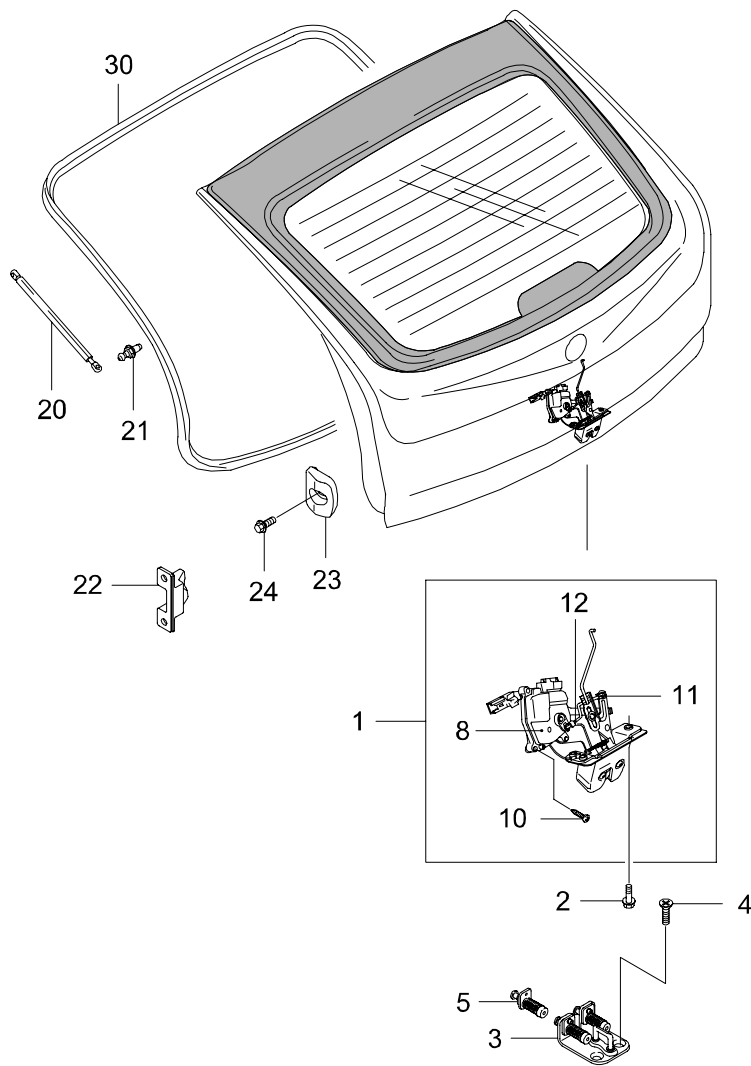
I T C	KEY NO. PART NO	PART NAME OPTION	L / R	T / M	D R V	MODEL										EFF. DATE		REMARK		
						D2	E2	OD	3										FROM	TO
	[01]	<i>REGULATOR-RR DR P/WINDOW</i>																		
	7331131000		LH			1	1									06'0301	07'0131			
Y	7331131001		LH			1	1									07'0201				
	7332131000		RH			1	1									06'0301	07'0131			
Y	7332131001		RH			1	1									07'0201				
	[02]	<i>MOTOR ASSY-POWER WINDOW RR</i>																		
	8810021002		LH			1	1									06'0301	07'0131			
Y	8810021004		LH			1	1									07'0201				
	8810021012		RH			1	1									06'0301	07'0131			
Y	8810021014		RH			1	1									07'0201				
	[03]	<i>BOLT-SERRATED</i>																		
	824241C000					6	6									06'0301		M6X1.0		
	[04]	<i>NUT</i>																		
	928840600D					7	7									06'0301		M6X1.0 ,HEX FLG		
	[06]	<i>GLASS RUN-RR DR WINDOW</i>																		
	7337131000		LH			1	1									06'0301				
	7338131000		RH			1	1									06'0301				
	[07]	<i>CHANNEL ASSY-RR DR GLASS GUIDE</i>																		
	7335031000		LH			1	1									06'0301				
	7336031000		RH			1	1									06'0301				
	[08]	<i>NUT</i>																		
	928840600D					2	2									06'0301		M6X1.0 ,HEX FLG		
	[09]	<i>BOLT</i>																		
	916040610D					2	2									06'0301	06'1217	M6X1X10 ,HEX FLG		
O	7260009000					2	2									06'1218		M6X15 HEX FLANGE		

7221 REAR WEATHER STRIP



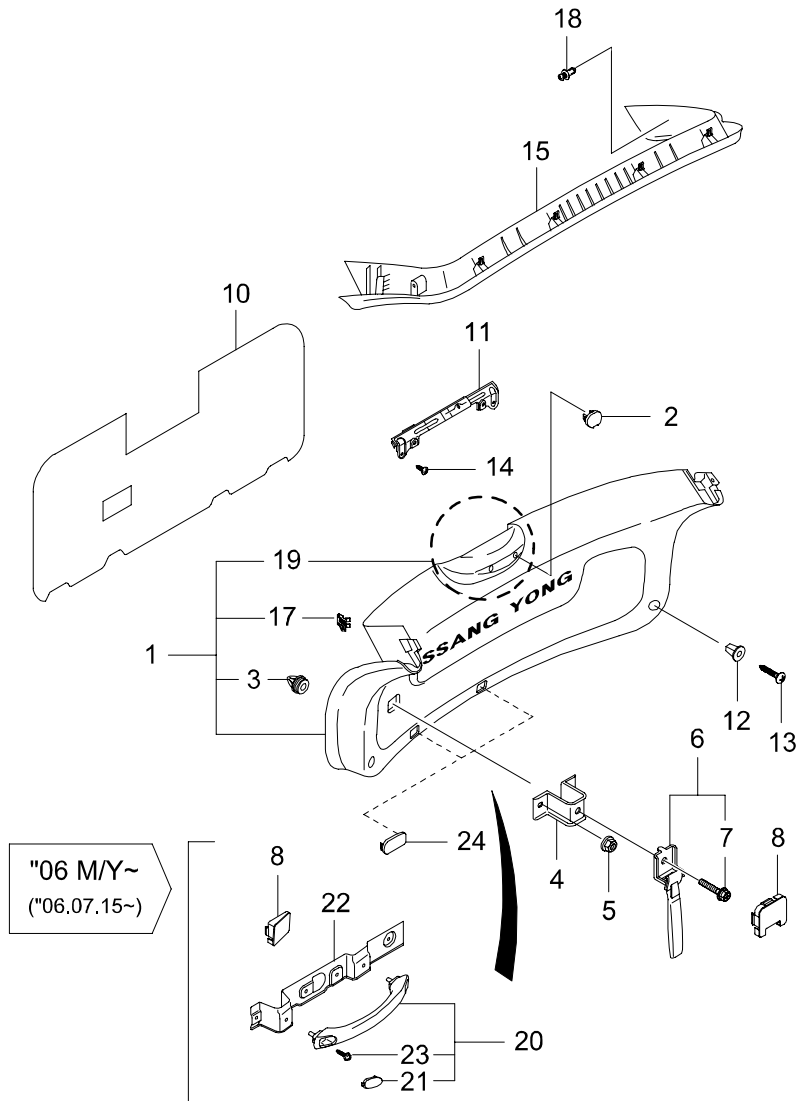
7221 - 01

7310 TAIL GATE OPENING SYSTEM

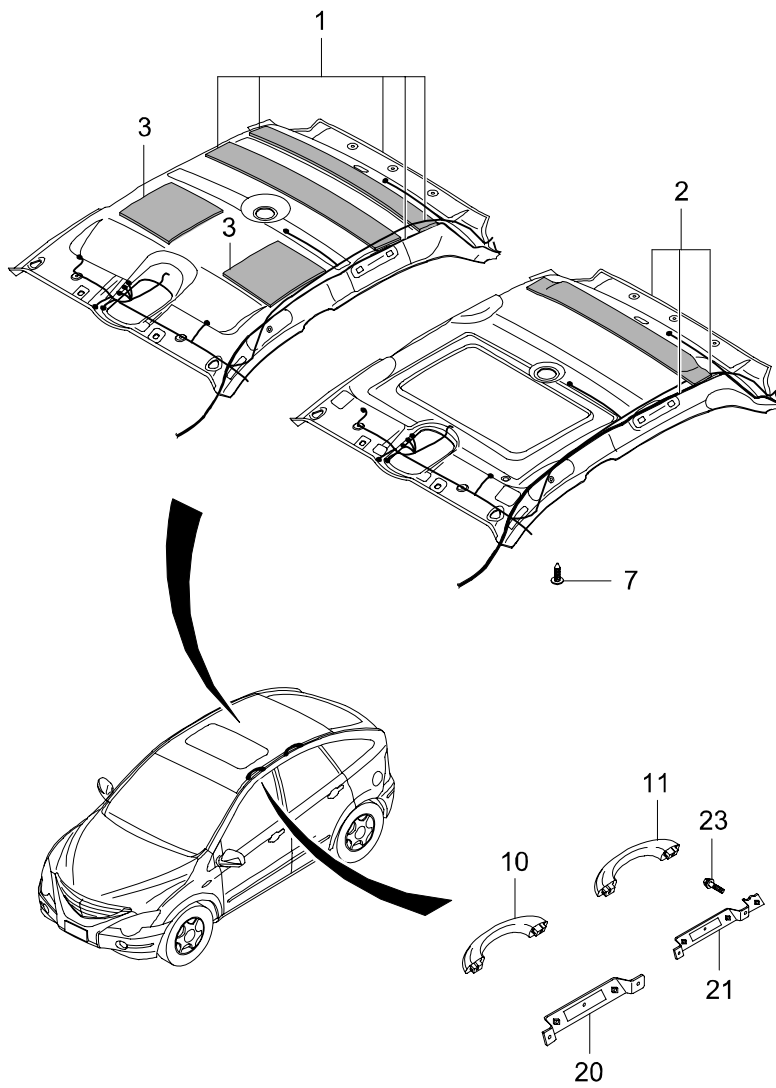


7310 - 01

7321 REAR END TRIM

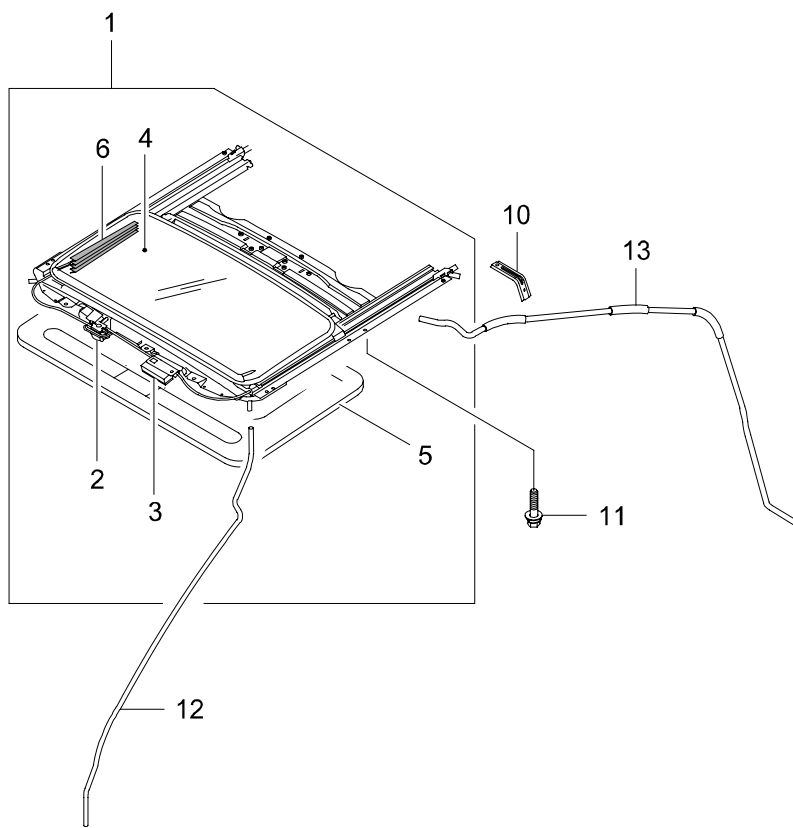


7330 HEAD LINING



7330 - 01

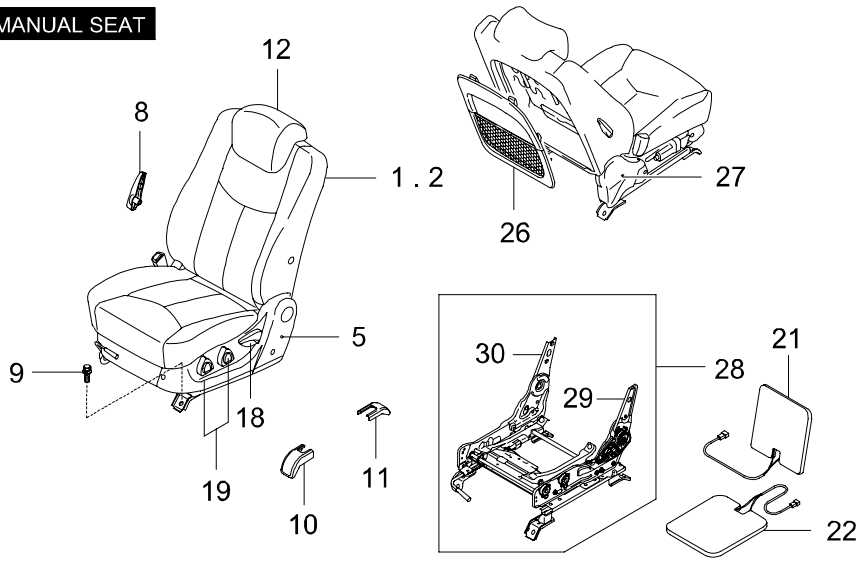
7340 SUNROOF



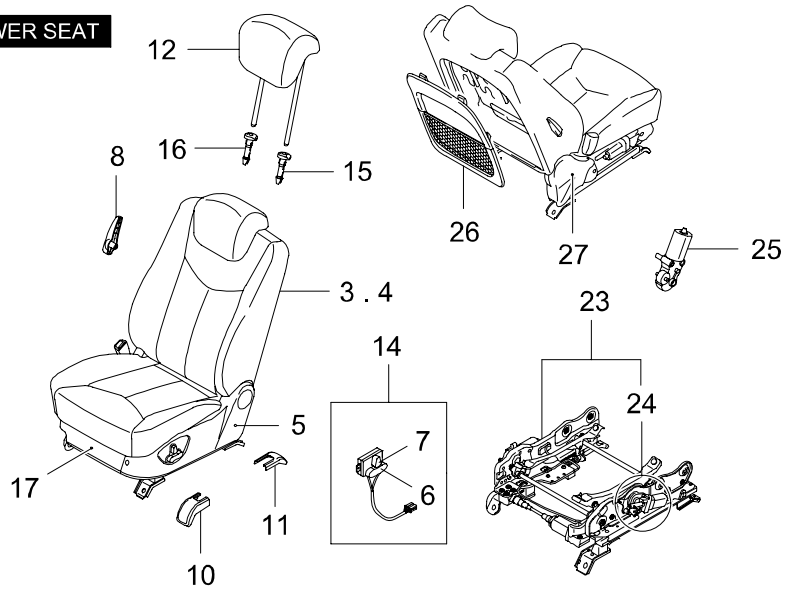
7340 - 01

7410 FRONT SEAT

MANUAL SEAT



POWER SEAT



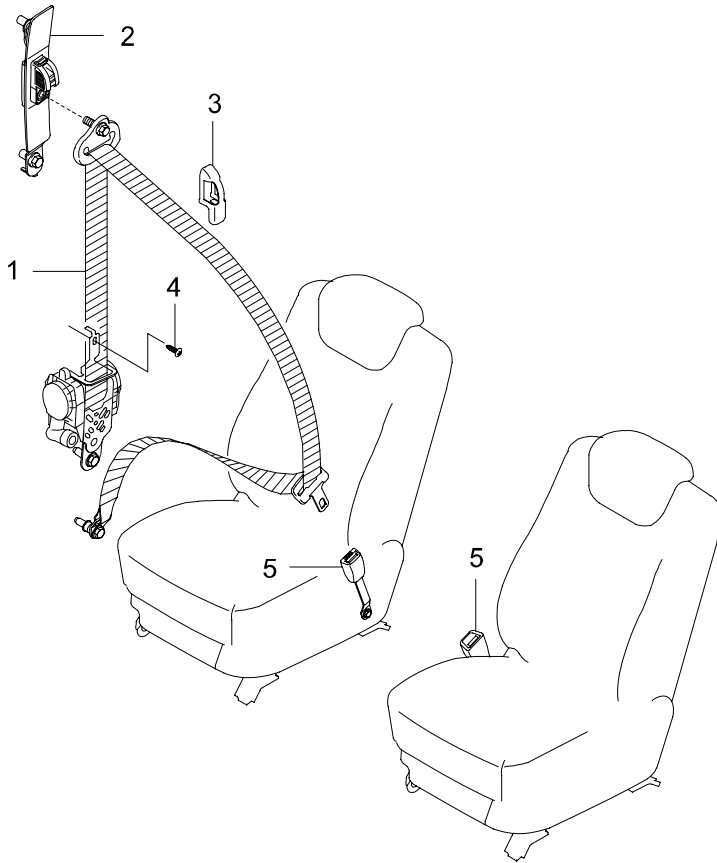
7410 FRONT SEAT

I T C	KEY NO. PART NO	PART NAME OPTION	L / R	T / M	D R V	MODEL										EFF. DATE		REMARK			
						D2	E2	0	3										FROM	TO	
74001811	10LLR	MNL,LEATHER,TILT	LH	L														06'0715	07'0310	06 M/Y-	
Y	7400131111LLR	MNL,LEATHER,TILT	LH	L	1	1													07'0311	07'0312	
N	7400131113LLR	MNL,LEATHER,TILT	LH	L	1	1													07'0313		
	7400131120LLG	MNL,LEATHER,SWRM,TILT	LH	L	1	1													06'0715	07'0131	06 M/Y-
Y	7400131121LLG	MNL,LEATHER,SWRM,TILT	LH	L	1	1													07'0201	07'0304	
N	7400131123LLG	MNL,LEATHER,SWRM,TILT	LH	L	1	1													07'0305		
	7400131120LLB	MNL,LEATHER,SWRM,TILT	LH	L	1	1													06'0715	07'0131	06 M/Y-
Y	7400131121LLB	MNL,LEATHER,SWRM,TILT	LH	L	1	1													07'0201	07'0304	
N	7400131123LLB	MNL,LEATHER,SWRM,TILT	LH	L	1	1													07'0305		
	7400131120LLR	MNL,LEATHER,SWRM,TILT	LH	L	1	1													06'0715	07'0131	06 M/Y-
Y	7400131121LLR	MNL,LEATHER,SWRM,TILT	LH	L	1	1													07'0201	07'0304	
N	7400131123LLR	MNL,LEATHER,SWRM,TILT	LH	L	1	1													07'0305		
	7400331210CTG	MNL,FWOVEN,SWRM,TILT	LH	R	1	1													06'0715		06 M/Y-,-ADR,-EEC
	7400331210CTB	MNL,FWOVEN,SWRM,TILT	LH	R	1	1													06'0715		06 M/Y-,-ADR,-EEC
	7400331210CTR	MNL,FWOVEN,SWRM,TILT	LH	R	1	1													06'0715		06 M/Y-,-ADR,-EEC
	7400331220LLG	MNL,LEATHER,SWRM,TILT	LH	R	1	1													06'0715		06 M/Y-,-ADR,-EEC
	7400331220LLB	MNL,LEATHER,SWRM,TILT	LH	R	1	1													06'0715		06 M/Y-,-ADR,-EEC
	7400331220LLR	MNL,LEATHER,SWRM,TILT	LH	R	1	1													06'0715		06 M/Y-,-ADR,-EEC
	7400331250LLG	MNL,LEATHER,TILT,SBR	LH	R	1	1													06'0715	07'0227	06 M/Y-,-EEC
Y	7400331252LLG	MNL,LEATHER,TILT,SBR	LH	R	1	1													07'0228		EEC
	7400331250LLB	MNL,LEATHER,TILT,SBR	LH	R	1	1													06'0715		06 M/Y-,-EEC
	7400331250LLR	MNL,LEATHER,TILT,SBR	LH	R	1	1													06'0715		06 M/Y-,-EEC
	7400331260LLG	MNL,LEATHER,SWRM,TILT,SBR	LH	R	1	1													06'0715		06 M/Y-,-EEC
	7400331260LLB	MNL,LEATHER,SWRM,TILT,SBR	LH	R	1	1													06'0715		06 M/Y-,-EEC
	7400331260LLR	MNL,LEATHER,SWRM,TILT,SBR	LH	R	1	1													06'0715		06 M/Y-,-EEC
	7400331280CTG	MNL,FWOVEN,TILT,SBR	LH	R	1	1													06'0715	07'0212	06 M/Y-,-EEC
Y	7400331282CTG	MNL,FWOVEN,TILT,SBR	LH	R	1	1													07'0213	07'0312	EEC
Y	7400331283CTG	MNL,FWOVEN,TILT,SBR	LH	R	1	1													07'0313		EEC
	7400331280CTB	MNL,FWOVEN,TILT,SBR	LH	R	1	1													06'0715	07'0313	06 M/Y-,-EEC
Y	7400331283CTB	MNL,FWOVEN,TILT,SBR	LH	R	1	1													07'0314		EEC
	7400331280CTR	MNL,FWOVEN,TILT,SBR	LH	R	1	1													06'0715	07'0313	06 M/Y-,-EEC
Y	7400331283CTR	MNL,FWOVEN,TILT,SBR	LH	R	1	1													07'0314		EEC
	7400331290CTG	MNL,FWOVEN,SWRM,TILT,SBR	LH	R	1	1													06'0715		06 M/Y-
	7400331290CTB	MNL,FWOVEN,SWRM,TILT,SBR	LH	R	1	1													06'0715		06 M/Y-
	7400331290CTR	MNL,FWOVEN,SWRM,TILT,SBR	LH	R	1	1													06'0715		06 M/Y-
	7400331310CTG	MNL,FWOVEN,SWRM,TILT	LH	R	1	1													06'0715		06 M/Y-,-ADR
	7400331310CTB	MNL,FWOVEN,SWRM,TILT	LH	R	1	1													06'0715		06 M/Y-,-ADR
	7400331310CTR	MNL,FWOVEN,SWRM,TILT	LH	R	1	1													06'0715		06 M/Y-,-ADR
	7400331320LLG	MNL,LEATHER,SWRM,TILT	LH	R	1	1													06'0715		06 M/Y-,-ADR
	7400331320LLB	MNL,LEATHER,SWRM,TILT	LH	R	1	1													06'0715		06 M/Y-,-ADR
	7400331320LLR	MNL,LEATHER,SWRM,TILT	LH	R	1	1													06'0715		06 M/Y-,-ADR

7410 FRONT SEAT

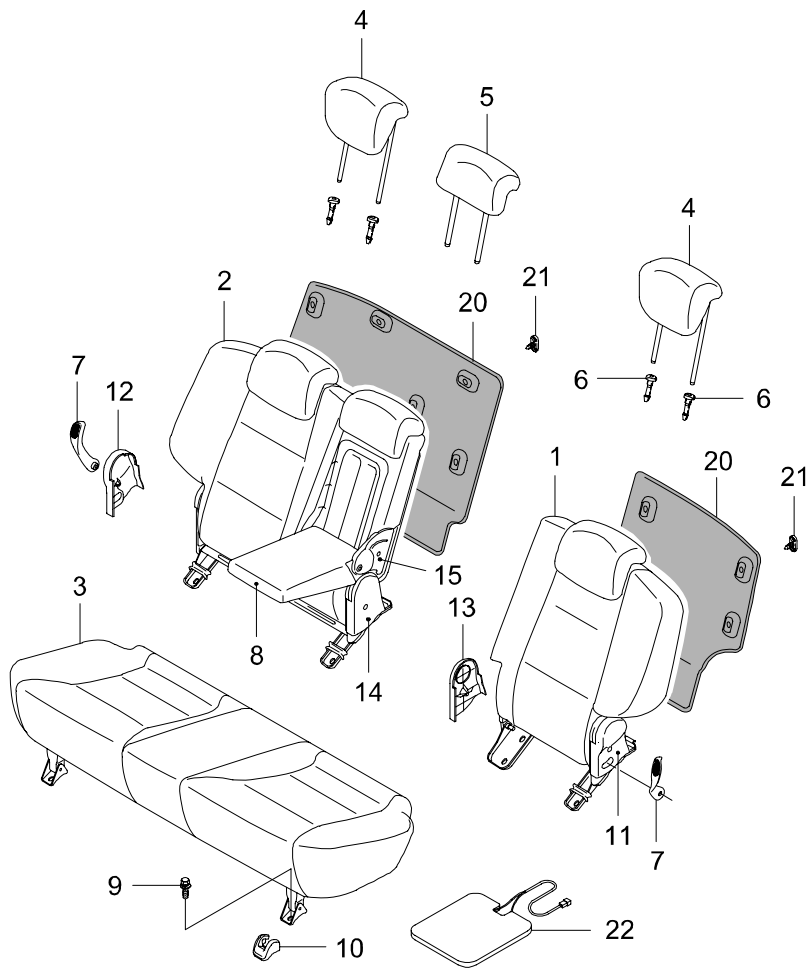
I T C	KEY NO. PART NO	PART NAME OPTION	L / R	T / M	D R V	MODEL										EFF. DATE		REMARK		
						D2	E2	OD	3										FROM	TO
740048	1240CTG	PWR,FWOVEN,SWRM,TILT	RH	R	1	1												06'0715	06 M/Y--ADR	
	7400431240CTB	PWR,FWOVEN,SWRM,TILT	RH	R	1	1												06'0715		06 M/Y--ADR
	7400431240CTR	PWR,FWOVEN,SWRM,TILT	RH	R	1	1												06'0715		06 M/Y--ADR
	7400431250LLG	PWR,LEATHER,SWRM,TILT	RH	R	1	1												06'0715	07'0212	06 M/Y--ADR
Y	7400431251LLG	PWR,LEATHER,SWRM,TILT	RH	R	1	1												07'0213	07'0321	ADR
N	7400431253LLG	PWR,LEATHER,SWRM,TILT	RH	R	1	1												07'0322		ADR
	7400431250LLB	PWR,LEATHER,SWRM,TILT	RH	R	1	1												06'0715	07'0319	06 M/Y--ADR
N	7400431253LLB	PWR,LEATHER,SWRM,TILT	RH	R	1	1												07'0320		ADR
	7400431250LLR	PWR,LEATHER,SWRM,TILT	RH	R	1	1												06'0715	07'0415	06 M/Y--ADR
N	7400431253LLR	PWR,LEATHER,SWRM,TILT	RH	R	1	1												07'0416		ADR
	[05]	COVER-SHIELD																		
	0400722LAM	MNL	LH	L	1	1												06'0301		
	0400730LAM	MNL	LH	R	1	1												06'0301		
	0400752LAM	PWR	LH		1	1												06'0301		
	0400726LAM	MNL	RH	R	1	1												06'0301		
	0400732LAM	MNL	RH	L	1	1												06'0301		
	0400753LAM	PWR	RH		1	1												06'0301		
	[06]	KNOB-POWER SEAT SLIDE																		
	0400760LAM	PWR	LH	L	1	1												06'0301		
	0400761LAM	PWR	RH	R	1	1												06'0301		
	0400762LAM	PWR	LH	R	1	1												06'0301		
	0400763LAM	PWR	RH	L	1	1												06'0301		
	[07]	KNOB-POWER SEAT RECLINER																		
	0400758LAM	PWR	LH		1	1												06'0301		
	0400759LAM	PWR	RH		1	1												06'0301		
	[08]	LEVER ASSY-LUMBAR SUPT																		
	0400690LAM				1	1												06'0301	07'0531	
Y	7431009260LAM				1	1												07'0601		
	[09]	BOLT																		
	959371035D				8	8												06'0301		M10X1.25X35 ,HEX SEMS
	[10]	COVER-FRT SEAT FRT OTR																		
	7408309000LAM				2	2												06'0301		
	[11]	COVER-FRT SEAT RR																		
	7408509000LAM				4	4												06'0301		

7430 FRONT SEAT BELT



7430 - 01

7510 REAR SEAT



7510 - 01

7510 REAR SEAT

I T C	KEY NO. PART NO	PART NAME OPTION	L / R	T / M	D R V	MODEL										EFF. DATE		REMARK		
						D2	E2	OD	3										FROM	TO
7500231201CTG	F/WOVEN		RH	R	1	1											06'030	06'0806	+ADR,APPLY BODY COLOR (LAK,WAA,SAF,ABS)	
Y 7500231202CTG	F/WOVEN,+ADR		RH		R	1	1										06'0807	07'0212	(3POINT CTR S/BELT	
Y 7500231203CTG	F/WOVEN,+ADR		RH		R	1	1										07'0213		(3POINT CTR S/BELT	
7500231201CTB	F/WOVEN		RH		R	1	1										06'0301	06'0806	+ADR,APPLY BODY COLOR BAK	
Y 7500231202CTB	F/WOVEN,+ADR		RH		R	1	1										06'0807	07'0212	(3POINT CTR S/BELT	
Y 7500231203CTB	F/WOVEN,+ADR		RH		R	1	1										07'0213		(3POINT CTR S/BELT	
7500231201CTR	F/WOVEN		RH		R	1	1										06'0301	06'0806	+ADR,APPLY BODY COLOR RAD	
Y 7500231202CTR	F/WOVEN,+ADR		RH		R	1	1										06'0807	07'0314	(3POINT CTR S/BELT)	
Y 7500231203CTR	F/WOVEN,+ADR		RH		R	1	1										07'0315		(3POINT CTR S/BELT)	
7500231020LLG	LEATHER		RH			1											06'0301	06'0501	-EEC,APPLY BODY COLOR (LAK,WAA,SAF,ABS)	
N 7500231021LLG	LEATHER		RH			1	1										06'0502	06'0806	-ADR,-EEC,APPLY BODY COLOR (LAK,WAA,SAF,ABS)	
Y 7500231022LLG	LEATHER		RH			1	1										01'0807	07'0131	-ADR,-EEC,APPLY BODY COLOR (LAK,WAA,SAF,ABS)	
Y 7500231023LLG	LEATHER		RH			1	1										07'0201		-ADR,-EEC,APPLY BODY COLOR (LAK,WAA,SAF,ABS)	
7500231020LLB	LEATHER		RH			1											06'0301	06'0501	-EEC,APPLY BODY COLOR BAK	
N 7500231021LLB	LEATHER		RH			1	1										06'0502	06'0806	-ADR,-EEC,APPLY BODY COLOR BAK	
Y 7500231022LLB	LEATHER		RH			1	1										01'0807	07'0131	-ADR,-EEC,APPLY BODY COLOR BAK	
Y 7500231023LLB	LEATHER		RH			1	1										07'0201		-ADR,-EEC,APPLY BODY COLOR BAK	
7500231020LLR	LEATHER		RH			1											06'0301	06'0501	-EEC,APPLY BODY COLOR RAD	
N 7500231021LLR	LEATHER		RH			1	1										06'0502	06'0806	-ADR,-EEC,APPLY BODY COLOR RAD	
Y 7500231022LLR	LEATHER		RH			1	1										01'0807	07'0201	-ADR,-EEC,APPLY BODY COLOR RAD	
Y 7500231023LLR	LEATHER		RH			1	1										07'0202		-ADR,-EEC,APPLY BODY COLOR RAD	
7500231050CTG	F/WOVEN		RH			1	1										06'0301	06'0806	-ADR,-EEC,APPLY BODY COLOR (LAK,WAA,SAF,ABS)	
Y 7500231051CTG	F/WOVEN,-ADR,-EEC		RH			1	1										06'0807	07'0205		
Y 7500231052CTG	F/WOVEN,-ADR,-EEC		RH			1	1										07'0206			
7500231050CTB	F/WOVEN		RH			1	1										06'0301	06'0806	-ADR,-EEC,APPLY BODY COLOR BAK	
Y 7500231051CTB	F/WOVEN,-ADR,-EEC		RH			1	1										06'0807	07'0205		
Y 7500231052CTB	F/WOVEN,-ADR,-EEC		RH			1	1										07'0206			
7500231050CTR	F/WOVEN		RH			1	1										06'0301	06'0806	-ADR,-EEC,APPLY BODY COLOR RAD	
Y 7500231051CTR	F/WOVEN,-ADR,-EEC		RH			1	1										06'0807	07'0212		
Y 7500231052CTR	F/WOVEN,-ADR,-EEC		RH			1	1										07'0213			
7500231060LLG	LEATHER		RH			1	1										06'0301	06'0806	-ADR,-EEC,APPLY BODY COLOR BAK	
Y 7500231061LLG	LEATHER,-ADR,-EEC		RH			1	1										06'0807	07'0205		
Y 7500231062LLG	LEATHER,-ADR,-EEC		RH			1	1										07'0206			
7500231060LLB	LEATHER		RH			1	1										06'0301	06'0806	-ADR,-EEC,APPLY BODY COLOR BAK	

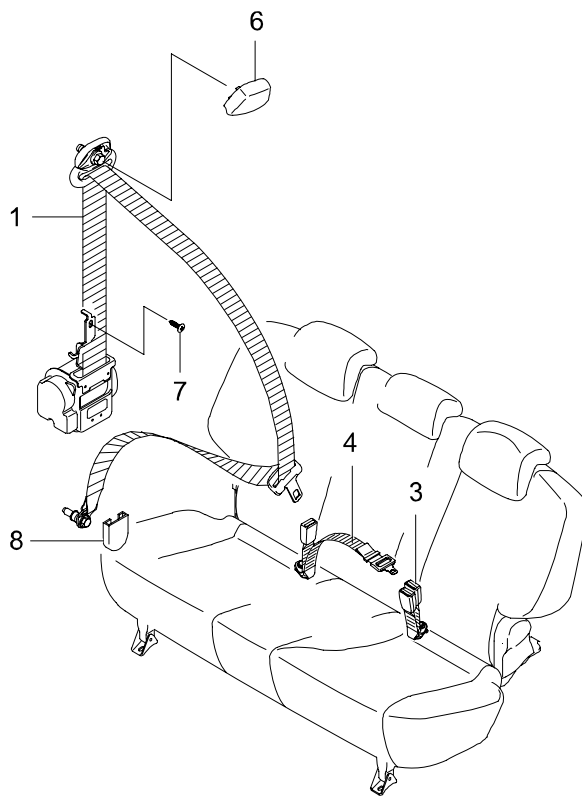
7510 REAR SEAT

I T C	KEY NO. PART NO	PART NAME OPTION	L / R	T / M	D / R / V	MODEL										EFF. DATE		REMARK		
						D2	E2	OD	3										FROM	TO
	[02]	SEAT ASSY-RR 1ST BACK																		
	7520231101LLG	LEATHER	RH			1											06'0301	06'0501	+EEC,APPLY BODY COLOR (LAK,WAA,SAF,ABS)	
N	7520231102LLG	LEATHER	RH			1	1										06'0502	06'0806	+EEC,APPLY BODY COLOR (LAK,WAA,SAF,ABS)	
Y	7520231103LLG	LEATHER,+EEC	RH			1	1										06'0807	07'0131		
Y	7520231104LLG	LEATHER,+EEC	RH			1	1										07'0201			
	7520231101LLB	LEATHER	RH			1											06'0301	06'0501	+EEC,APPLY BODY COLOR BAK	
N	7520231102LLB	LEATHER	RH			1	1										06'0502	06'0806	+EEC,APPLY BODY COLOR BAK	
Y	7520231103LLB	LEATHER,+EEC	RH			1	1										06'0807	07'0131		
Y	7520231104LLB	LEATHER,+EEC	RH			1	1										07'0201			
	7520231101LLR	LEATHER	RH			1											06'0301	06'0501	+EEC,APPLY BODY COLOR RAD	
N	7520231102LLR	LEATHER	RH			1	1										06'0502	06'0806	+EEC,APPLY BODY COLOR RAD	
Y	7520231103LLR	LEATHER,+EEC	RH			1	1										06'0807	07'0131		
Y	7520231104LLR	LEATHER,+EEC	RH			1	1										07'0201			
	7520231201LLG	LEATHER	RH		R	1											06'0301	06'0501	+ADR,APPLY BODY COLOR (LAK,WAA,SAF,ABS)	
N	7520231202LLG	LEATHER	RH		R	1	1										06'0502	06'0806	+ADR,APPLY BODY COLOR (LAK,WAA,SAF,ABS)	
Y	7520231203LLG	LEATHER,+ADR	RH		R	1	1										06'0807	07'0212	(3POINT CTR S/BELT)	
Y	7520231204LLG	LEATHER,+ADR	RH		R	1	1										07'0213		(3POINT CTR S/BELT)	
	7520231201LLB	LEATHER	RH		R	1											06'0301	06'0501	+ADR,APPLY BODY COLOR BAK	
N	7520231202LLB	LEATHER	RH		R	1	1										06'0502	06'0806	+ADR,APPLY BODY COLOR BAK	
Y	7520231203LLB	LEATHER,+ADR	RH		R	1	1										06'0807	07'0319	(3POINT CTR S/BELT)	
Y	7520231204LLB	LEATHER,+ADR	RH			1	1										07'0320		(3POINT CTR S/BELT)	
	7520231201LLR	LEATHER	RH		R	1											06'0301	06'0501	+ADR,APPLY BODY COLOR RAD	
N	7520231202LLR	LEATHER	RH		R	1	1										06'0502	06'0806	+ADR,APPLY BODY COLOR RAD	
Y	7520231203LLR	LEATHER,+ADR	RH		R	1	1										06'0807	07'0415	(3POINT CTR S/BELT)	
Y	7520231204LLR	LEATHER,+ADR	RH		R	1	1										07'0416		(3POINT CTR S/BELT)	
	[03]	SEAT ASSY-RR 1ST CUSHION																		
	7540031001CTG	F/WOVEN				1											06'0301	07'0109		
Y	7540031002CTG	F/WOVEN				1	1										07'0110	07'0304		
Y	7540031003CTG	F/WOVEN				1	1										07'0305			
	7540031021LLG	LEATHER				1											06'0301	06'0501		
N	7540031022LLG	LEATHER				1											06'0502	07'0131		
Y	7540031023LLG	LEATHER				1	1										07'0201	07'0305		
Y	7540031025LLG	LEATHER				1	1										07'0306			
	[04]	H/REST ASSY-RR 1ST OTR																		
	0500697CTG	F/WOVEN				2	2										06'0301	07'0631		

7510 REAR SEAT

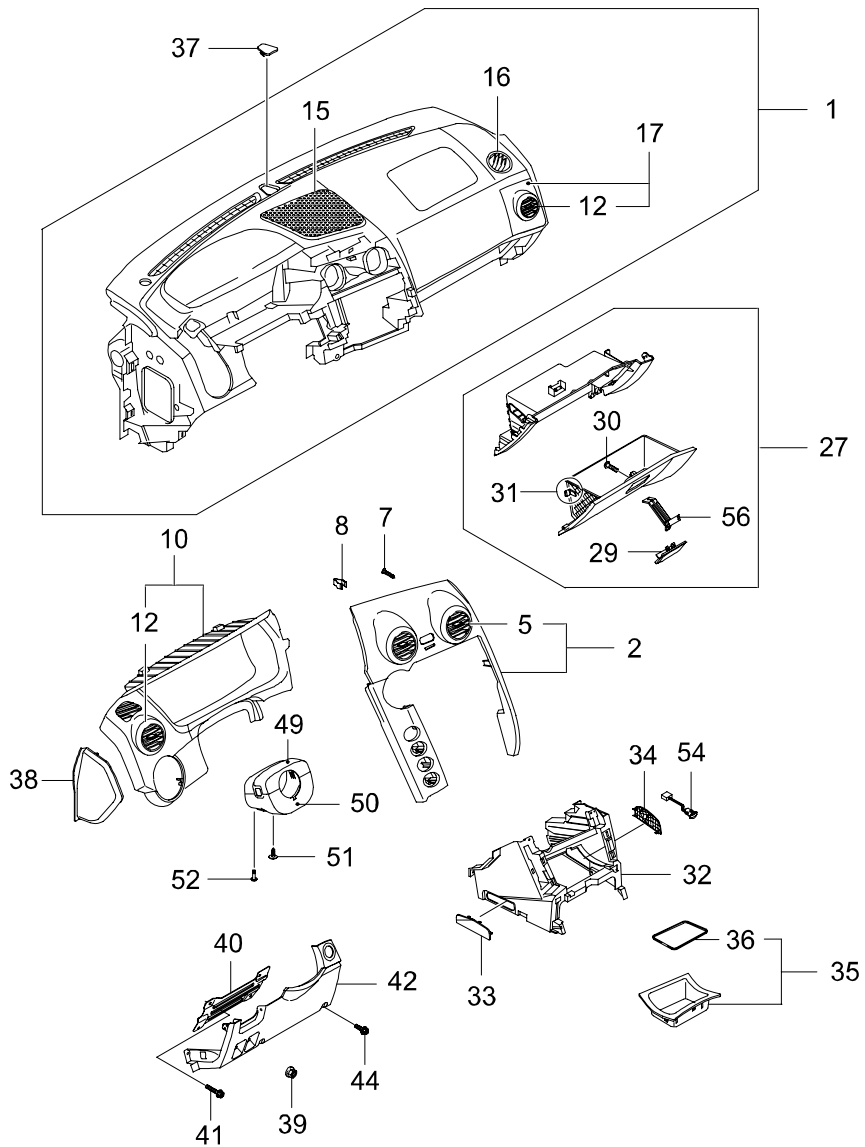
I T C	KEY NO. PART NO	PART NAME OPTION	L / R	T / M	D / R / V	MODEL										EFF. DATE		REMARK		
						D2	E2	OD	3										FROM	TO
	[07] 0500750LAM	<i>KNOB-RR SEAT RECLINER</i>	RH															06'0301		
	[08] 0500683CTG	<i>A/REST ASSY-RR SEAT CTR</i>																06'0301		
	0500684LLG	F/WOVEN LEATHER																06'0301		
	[09] 959371035D	<i>BOLT</i>																06'0301		M10X1.25X35 ,HEX SEMS
	[10] 7508109000LAM	<i>COVER-RR 1ST SEAT FRT</i>																06'0301		
	[11] 0500651LAM	<i>COVER -RR SEAT RECLINER OTR</i>	LH															06'0301		
	[12] 0500652LAM	<i>COVER -RR SEAT RECLINER OTR</i>	RH															06'0301		
	[13] 0500657LAM	<i>COVER -RR SEAT HINGE SIDE</i>	LH															06'0301		
	[14] 0500655LAM	<i>COVER -RR SEAT RECLINER INR</i>	RH															06'0301		
	[15] 0500662LAM	<i>COVER-RR CTR A/REST</i>																06'0301		
	[20] 0500680LAM	<i>L/BOARD-RR BACK</i>	LH															06'0301	07'0531	
Y	7551031100LAM		LH															07'0601		
	0500890LAM	ADR	LH		R													06'0301	07'0531	AUSTRALIA AREA
Y	7551031110LAM		LH															07'0601		ADR,EU AREA
	0500681LAM		RH															06'0301	07'0531	
Y	7551031120LAM		RH															07'0601		
	0500888LAM	ADR	RH		R													06'0301	07'0531	AUSTRALIA AREA
Y	7551031130LAM		RH															07'0601		ADR,EU AREA
	[21] 0501492	<i>FASTENER-L/BOARD</i>																06'0301		

7530 REAR SEAT BELT

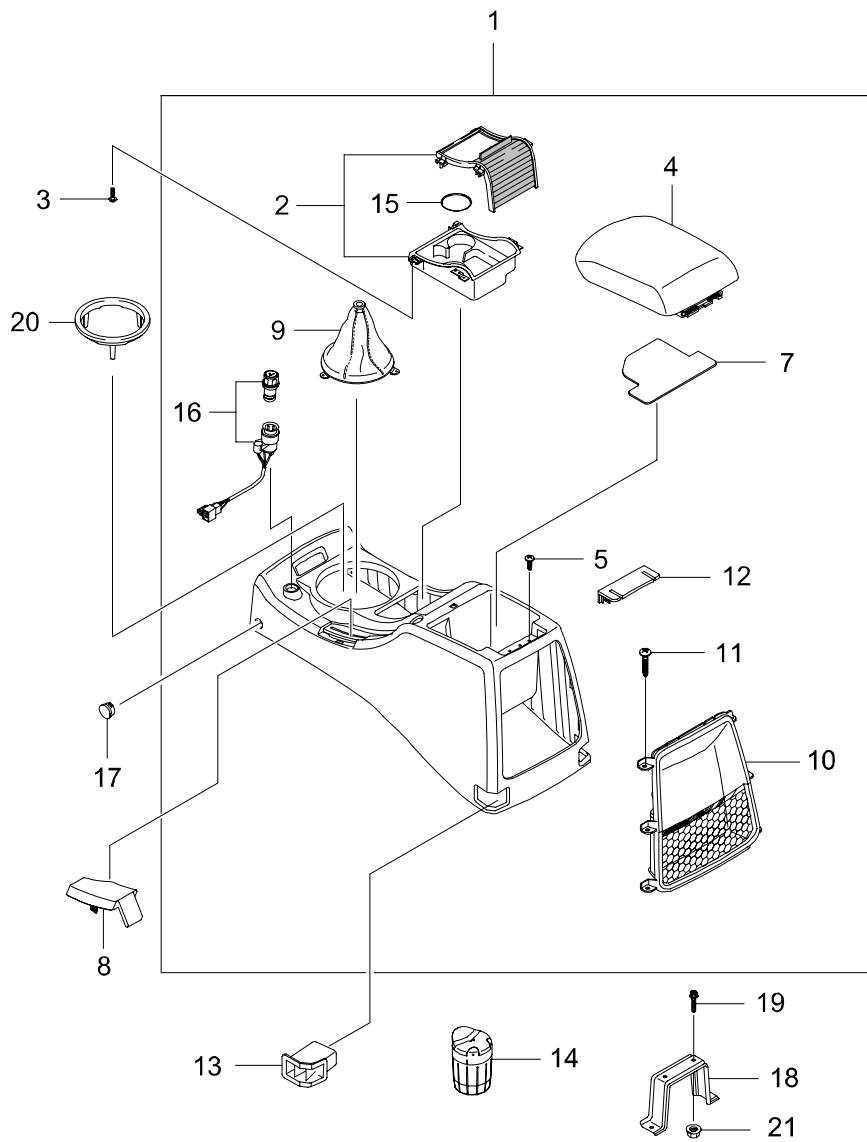


7530 - 01

7610 INSTRUMENT PANEL

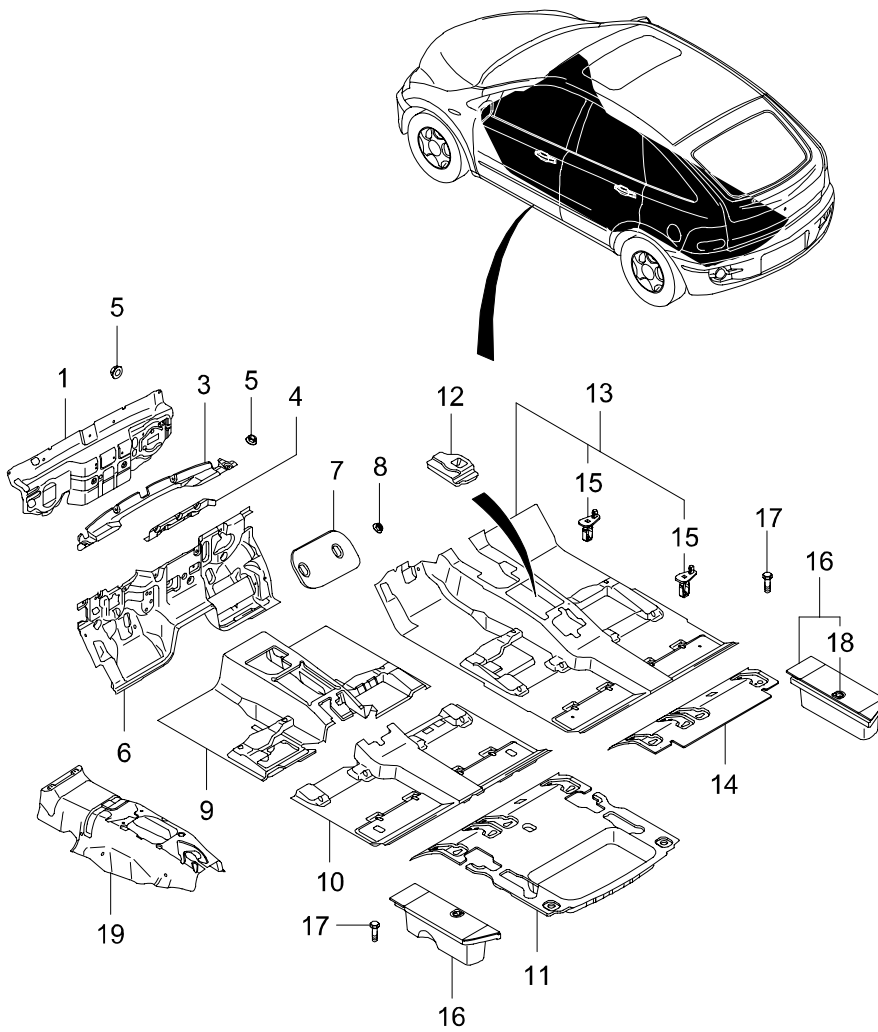


7632 FRONT CONSOLE



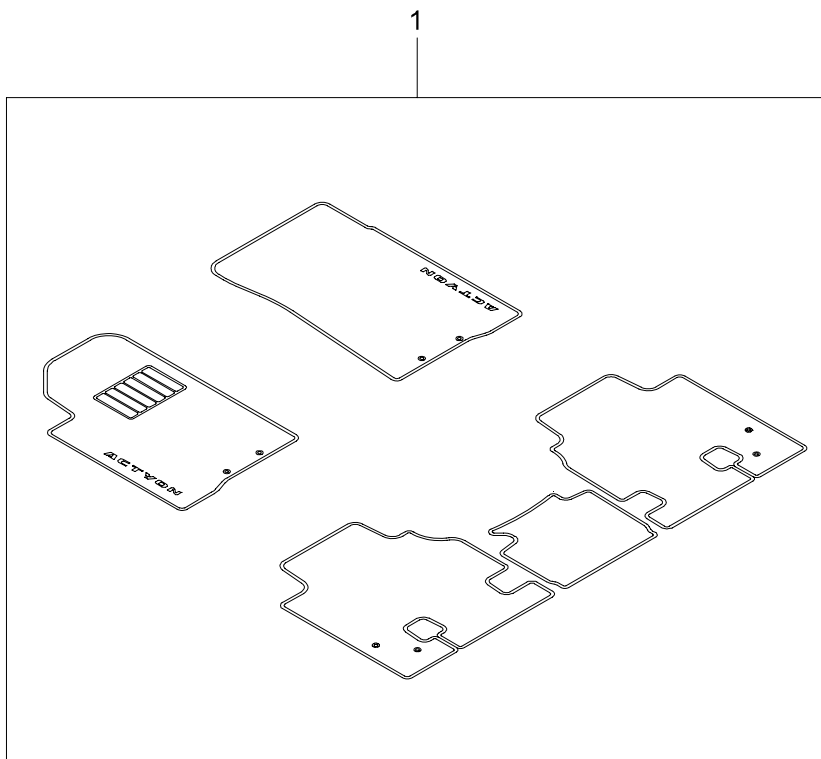
7632 - 01

7710 FLOOR CARPET



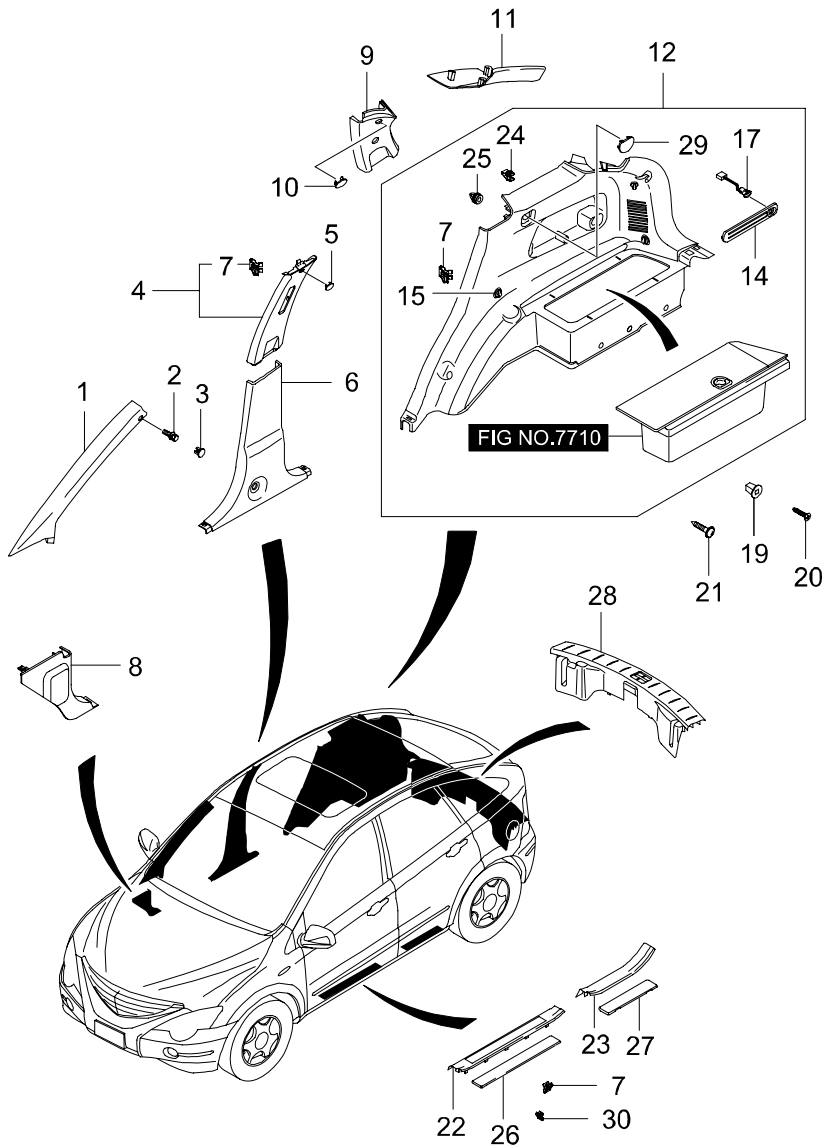
7710 - 01

7711 SERVICE MAT



7711 - 01

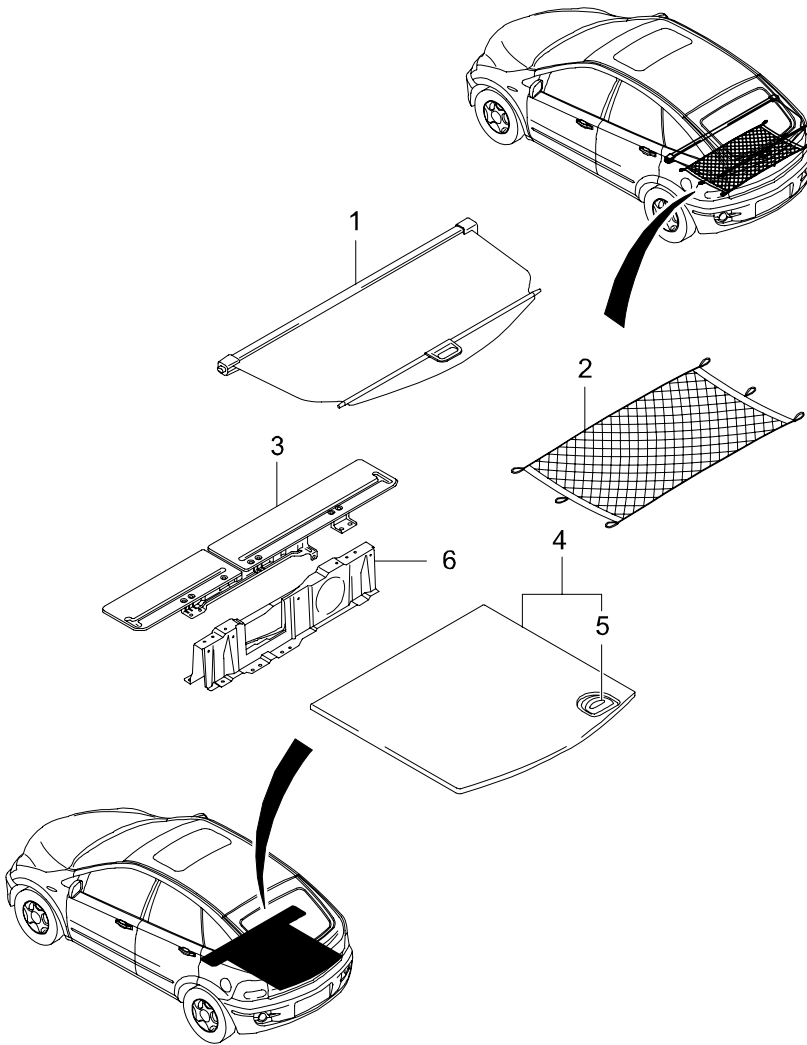
7730 PILLAR TRIM



7730 PILLAR TRIM

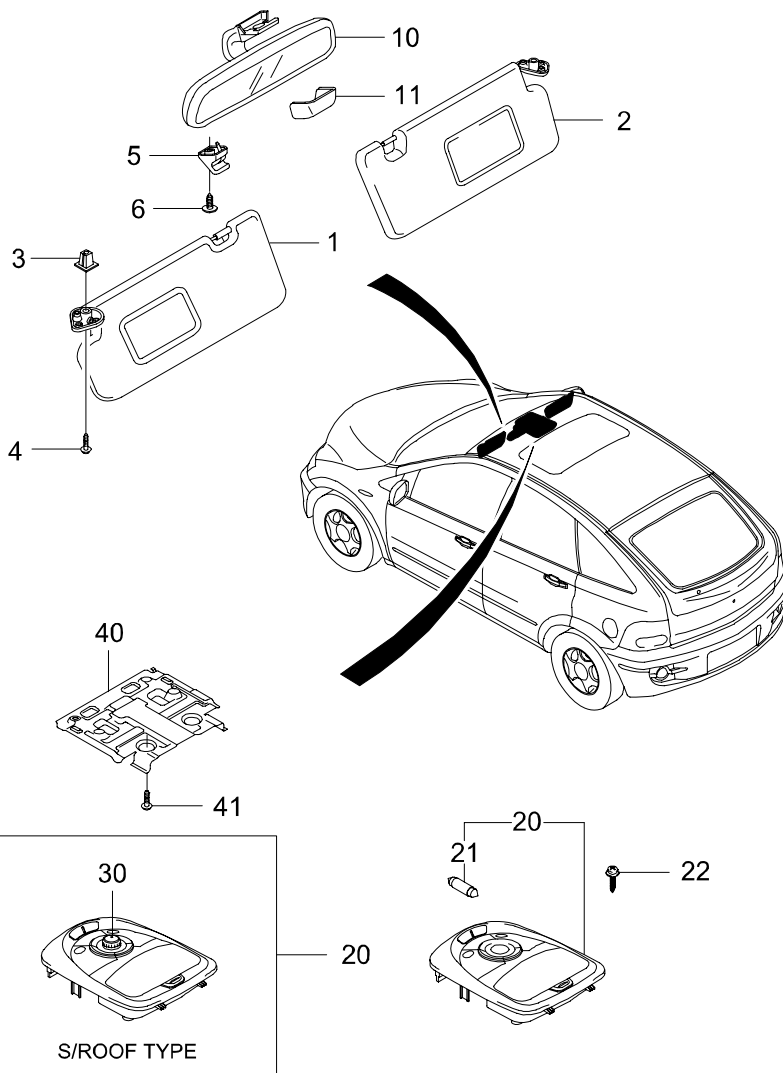
I T C	KEY NO. PART NO	PART NAME OPTION	L / R	T / M	D R V	MODEL										EFF. DATE		REMARK			
						D 0	D 1	D 2	D 3	D 4	D 5	D 6	D 7	D 8	D 9	D 0	D 1		D 2	FROM	TO
774403	1001LAM		RH															06'0301	06'0714	INCLUDED COVER-LUGGAGE ROOM(KEY NO.29)	
N	7744031002LAM		RH				1	1											06'0715	07'0131	INCLUDED COVER-LUGGAGE ROOM(KEY NO.29),CASE JACK ADDED
Y	7744031003LAM		RH				1	1											07'0201		
	[14]	TRAY-QTR LWR																			
	7743231000LAM		LH				1	1											06'0301		
	7744231000LAM		RH				1	1											06'0301		
	[15]	ANCHOR																			
	7686109000						6	6											06'0301	07'0131	
Y	7686109001						6	6											07'0201		
	[17]	SOCKET ASSY-POWER OUTLET																			
	8120009230						1	1											06'0301	07'0131	
Y	8120009231						1	1											07'0201		
	[19]	GROMMET-SCREW																			
	7731306000						8	8											06'0301		
	[20]	SCREW																			
	937745018B						10	10											06'0301		
	[21]	SCREW																			
	9380450162						8	8											06'0301	07'0131	M5X16,T/SCREW TRUSS
Y	938045016B						2	2											07'0201		
	[22]	TRIM ASSY-DR SCUFF FRT																			
	7726031000LAM	PVC	LH				1	1											06'0301	07'0131	
Y	7726031001LAM	PVC	LH				1	1											07'0201		

7752 LUGGAGE PARTS

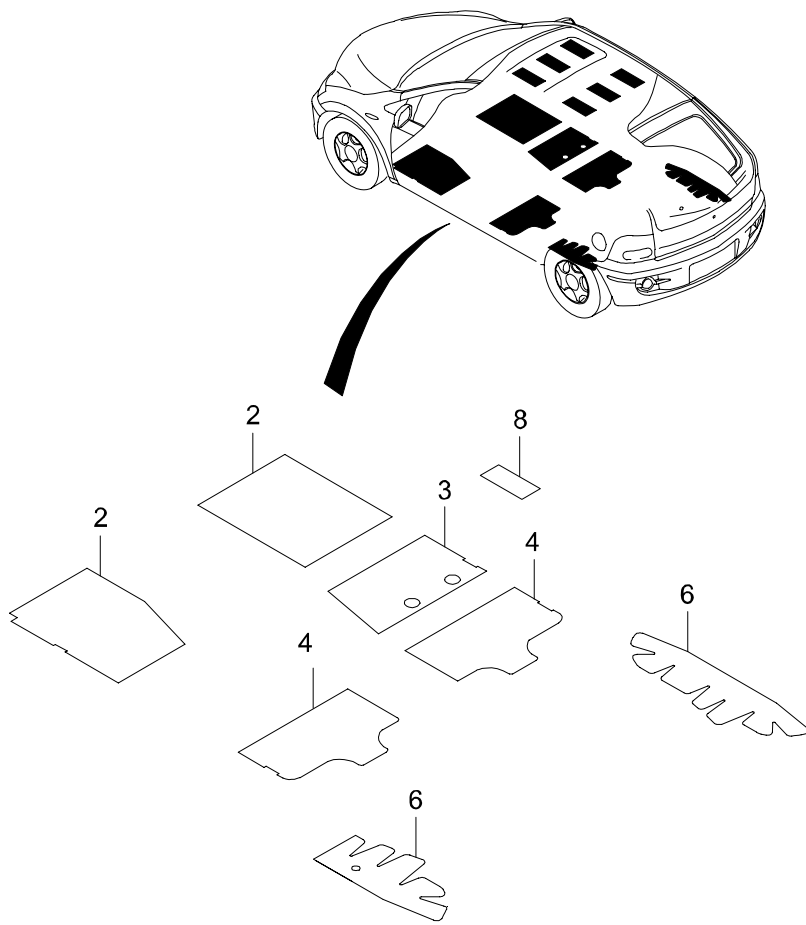


7752 - 01

7770 SUNSHADE & INSIDE MIRROR

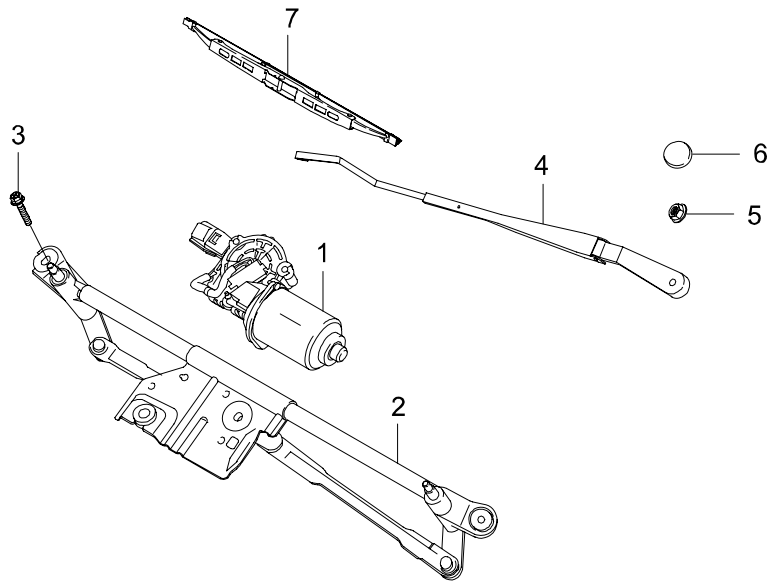


7792 ANTI VIBRATION PAD



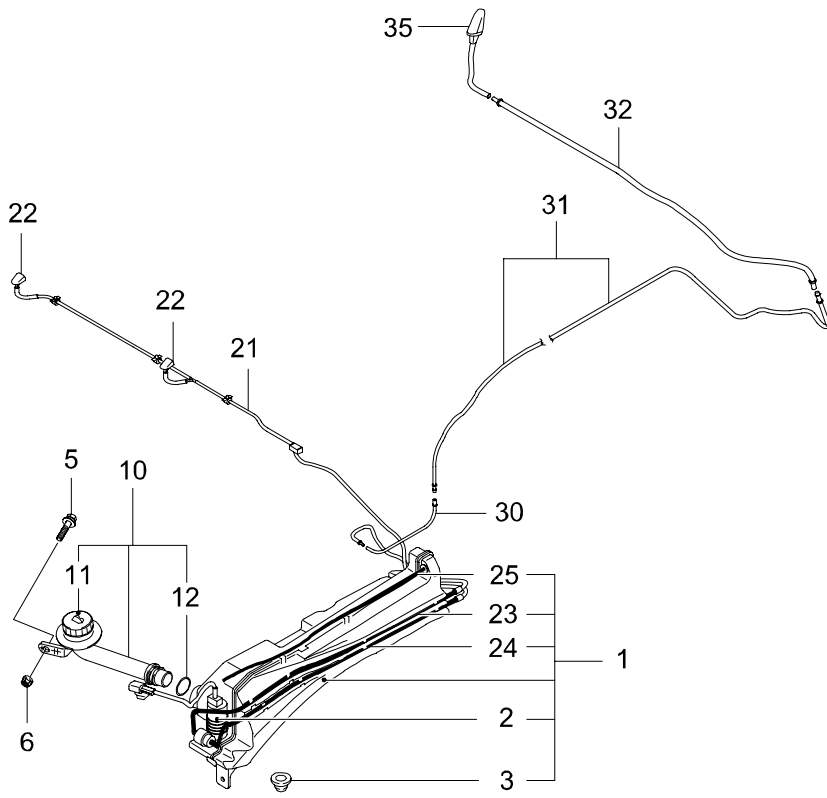
7792 - 01

7810 WINDSHIELD WIPER

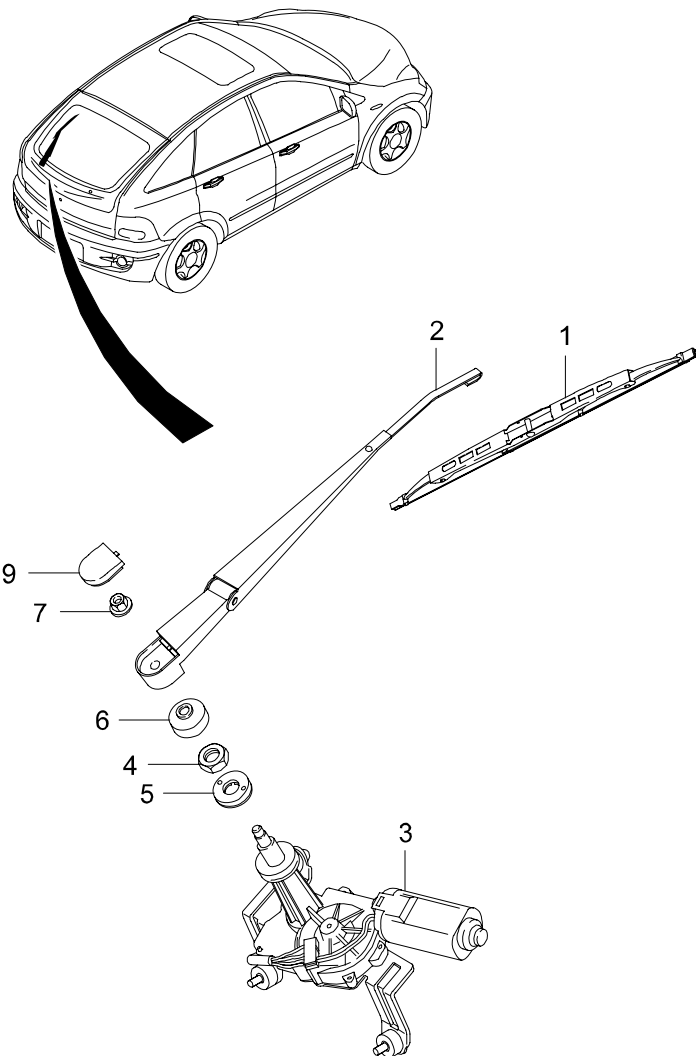


7810 - 01

7820 WINDSHIELD WASHER

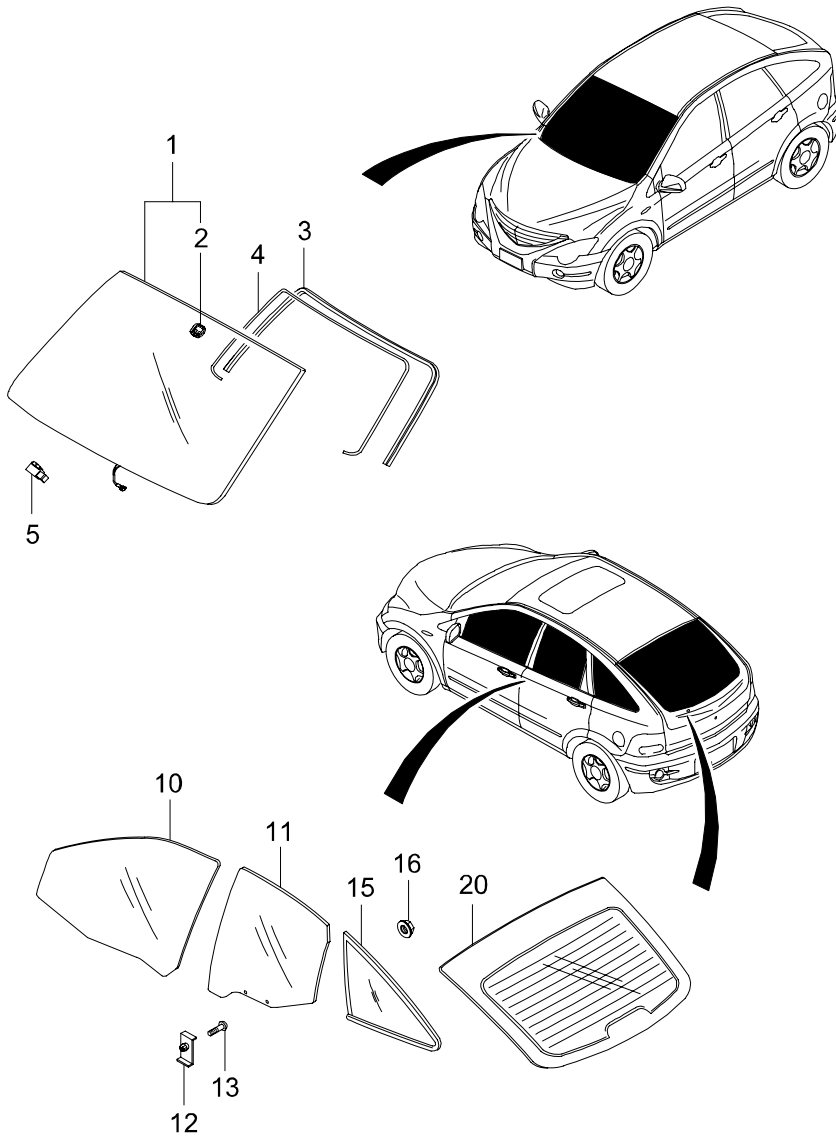


7830 BACK WINDOW WIPER

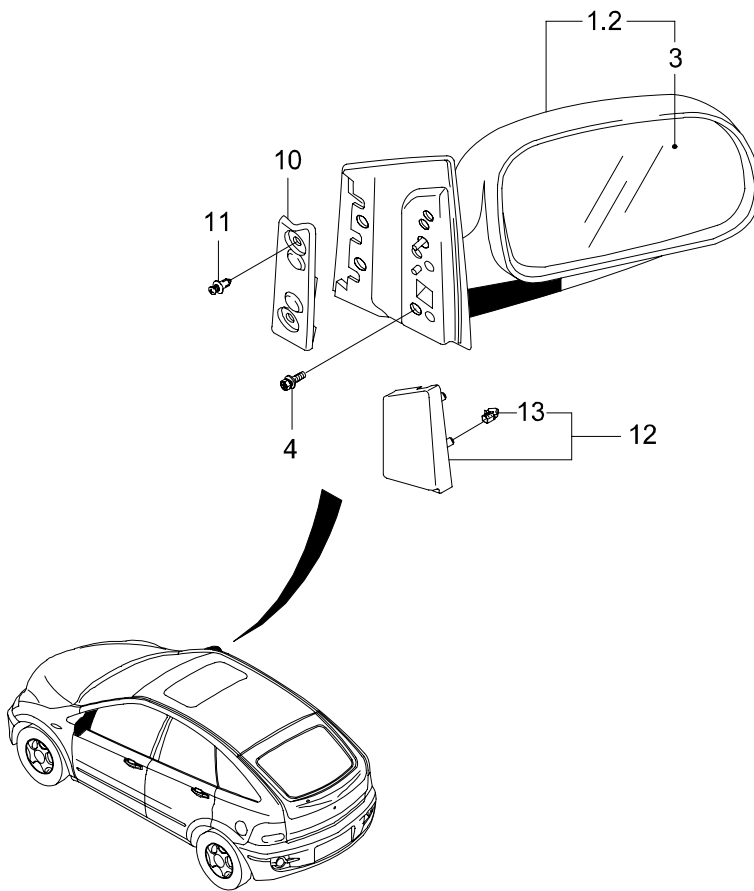


7830 - 01

7840 GLASS



7850 OUTSIDE MIRROR

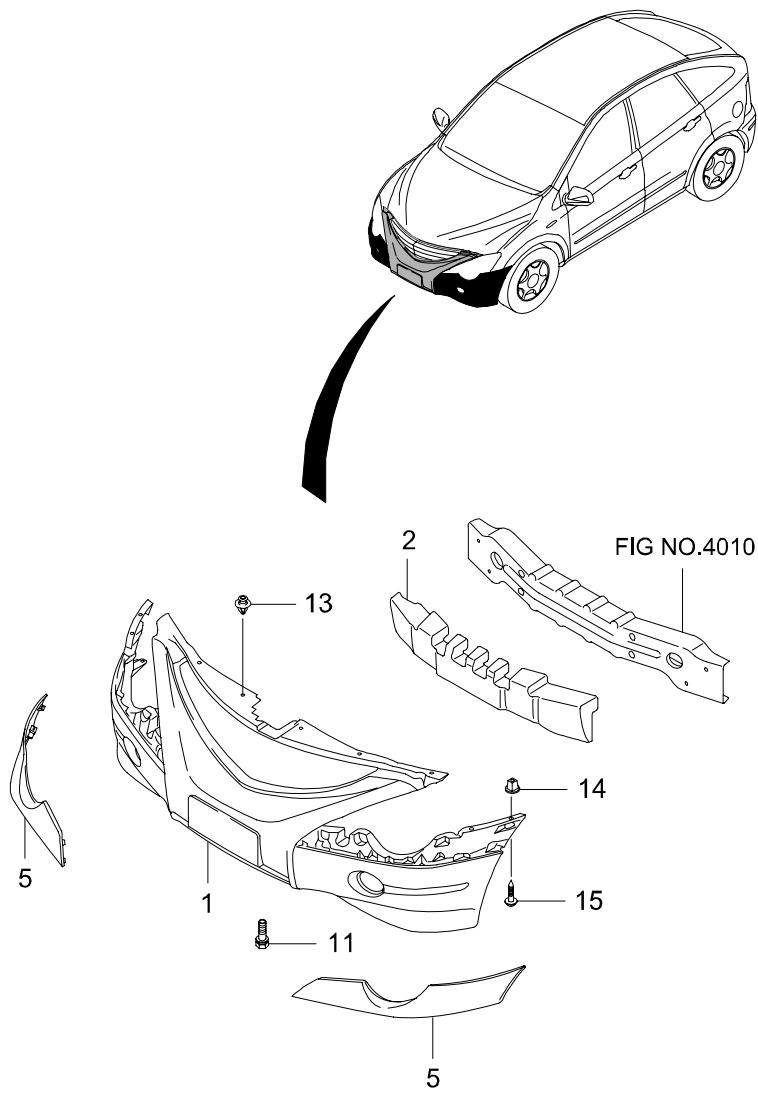


7850 - 01

7850 OUTSIDE MIRROR

I T C	KEY NO. PART NO	PART NAME OPTION	L / R	T / M	D R V	MODEL										EFF. DATE		REMARK			
						D2	E2	OD	3										FROM	TO	
789518	1000BAK	ELEC FOLD,ELEC CONT	LH	R	1	1												06'030	07'0131	ENGLISH WARNING LETTER	
Y	7895131001BAK	ELEC FOLD	LH	R	1	1													07'0201	ENGLISH WARNING LETTER	
	7895131000RAD	ELEC FOLD,ELEC CONT	LH	R	1	1													06'0301	07'0131	ENGLISH WARNING LETTER
Y	7895131001RAD	ELEC FOLD	LH	R	1	1													07'0201	ENGLISH WARNING LETTER	
	[02]	<i>MIRROR ASSY-O/S</i>																			
	7892031020LAK	MNL FOLD,ELEC CONT	RH	L	1	1													06'0301	07'0131	ENGLISH WARNING LETTER
Y	7892031021LAK	MNL FOLD	RH	L	1	1													07'0201	ENGLISH WARNING LETTER	
	7892031020WAA	MNL FOLD,ELEC CONT	RH	L	1	1													06'0301	07'0131	ENGLISH WARNING LETTER
Y	7892031021WAA	MNL FOLD	RH	L	1	1													07'0201	ENGLISH WARNING LETTER	
	7892031020SAF	MNL FOLD,ELEC CONT	RH	L	1	1													06'0301	07'0131	ENGLISH WARNING LETTER
Y	7892031021SAF	MNL FOLD	RH	L	1	1													07'0201	ENGLISH WARNING LETTER	
	7892031020ABS	MNL FOLD,ELEC CONT	RH	L	1	1													06'0301	07'0131	ENGLISH WARNING LETTER
Y	7892031021ABS	MNL FOLD	RH	L	1	1													07'0201	ENGLISH WARNING LETTER	
	7892031020BAK	MNL FOLD,ELEC CONT	RH	L	1	1													06'0301	07'0131	ENGLISH WARNING LETTER
Y	7892031021BAK	MNL FOLD	RH	L	1	1													07'0201	ENGLISH WARNING LETTER	
	7892031020RAD	MNL FOLD,ELEC CONT	RH	L	1	1													06'0301	07'0131	ENGLISH WARNING LETTER
Y	7892031021RAD	MNL FOLD	RH	L	1	1													07'0201	ENGLISH WARNING LETTER	
	7892031030LAK	MNL FOLD,ELEC CONT	RH	L	1	1													06'0301	07'0131	ARABIC WARNING LETTER
Y	7892031031LAK	MNL FOLD	RH	L	1	1													07'0201	ARABIC WARNING LETTER	
	7892031030WAA	MNL FOLD,ELEC CONT	RH	L	1	1													06'0301	07'0131	ARABIC WARNING LETTER
Y	7892031031WAA	MNL FOLD	RH	L	1	1													07'0201	ARABIC WARNING LETTER	
	7892031030SAF	MNL FOLD,ELEC CONT	RH	L	1	1													06'0301	07'0131	ARABIC WARNING LETTER
Y	7892031031SAF	MNL FOLD	RH	L	1	1													07'0201	ARABIC WARNING LETTER	
	7892031030ABS	MNL FOLD,ELEC CONT	RH	L	1	1													06'0301	07'0131	ARABIC WARNING LETTER
Y	7892031031ABS	MNL FOLD	RH	L	1	1													07'0201	ARABIC WARNING LETTER	
	7892031030BAK	MNL FOLD,ELEC CONT	RH	L	1	1													06'0301	07'0131	ARABIC WARNING LETTER
Y	7892031031BAK	MNL FOLD	RH	L	1	1													07'0201	ARABIC WARNING LETTER	
	7892031030RAD	MNL FOLD,ELEC CONT	RH	L	1	1													06'0301	07'0131	ARABIC WARNING LETTER
Y	7892031031RAD	MNL FOLD	RH	L	1	1													07'0201	ARABIC WARNING LETTER	
	7892131020LAK	ELEC FOLD,ELEC CONT	RH	L	1	1													06'0301	07'0131	ENGLISH WARNING LETTER
Y	7892131021LAK	ELEC FOLD	RH	L	1	1													07'0201	ENGLISH WARNING LETTER	
	7892131020WAA	ELEC FOLD,ELEC CONT	RH	L	1	1													06'0301	07'0131	ENGLISH WARNING LETTER
Y	7892131021WAA	ELEC FOLD	RH	L	1	1													07'0201	ENGLISH WARNING LETTER	
	7892131020SAF	ELEC FOLD,ELEC CONT	RH	L	1	1													06'0301	07'0131	ENGLISH WARNING LETTER

7870 FRONT BUMPER

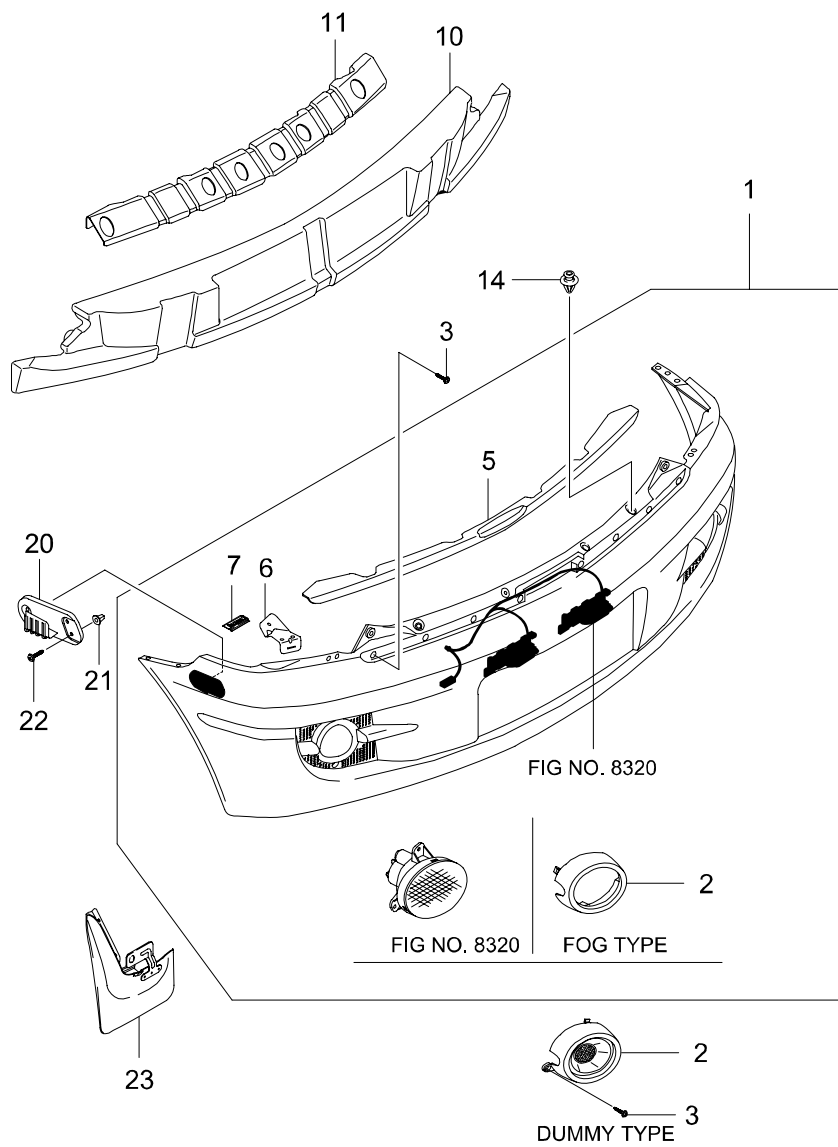


7870 - 01

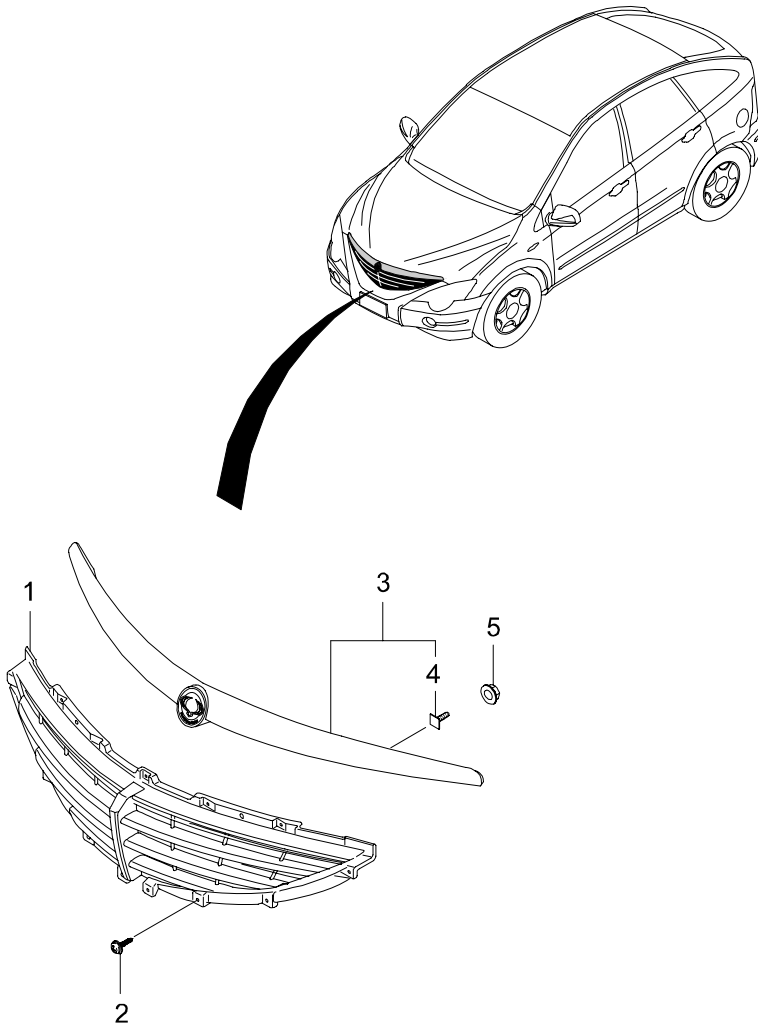
7870 FRONT BUMPER

I T C	KEY NO. PART NO	PART NAME OPTION	L / R	T / M	D / V	MODEL										EFF. DATE		REMARK		
						D2	E2	0D	3										FROM	TO
	7874031000RAD																	06'0301		
	[11]	<i>BOLT</i>																		
	7871708001							2	2								06'0301	07'0129	M6X1.0X20 ,HEX FLG	
Y	7871708002							2	2								07'0130		M6X1.0X20 ,HEX FLG	
	[13]	<i>SCRIVET</i>																		
	7887508000							12	12								06'0301			
	[14]	<i>GROMMET</i>																		
	8251205000							4	4								06'0301		M5	
	[15]	<i>SCREW</i>																		
	984145016B							4	4								06'0301		M5X16,T/SCREW-PAN SEMS	

7880 REAR BUMPER

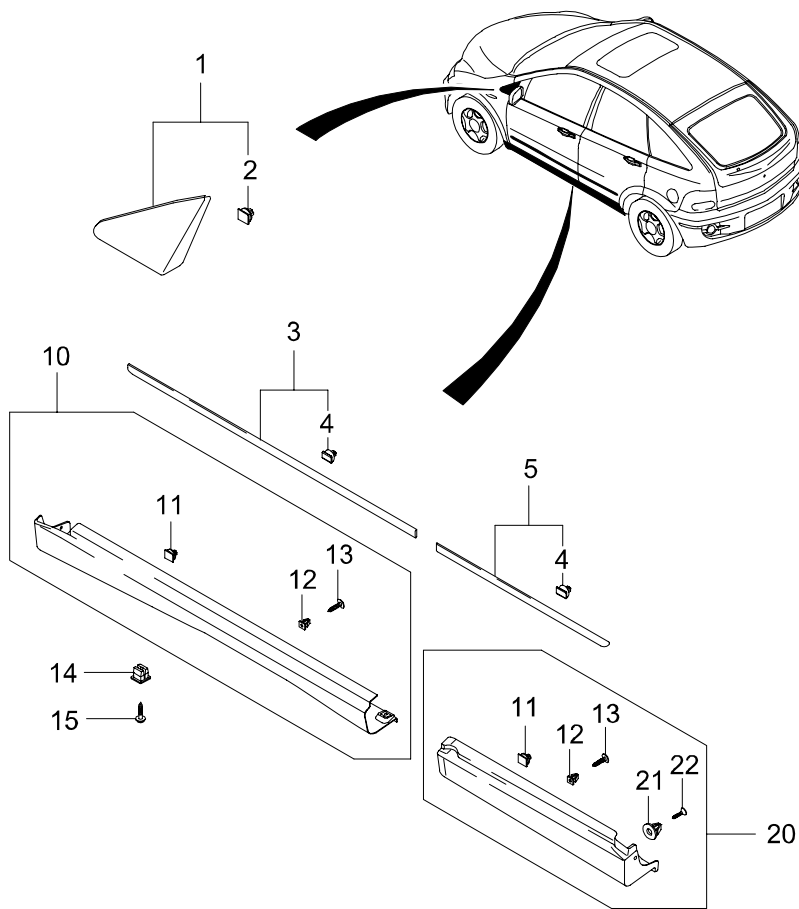


7910 RADIATOR GRILLE

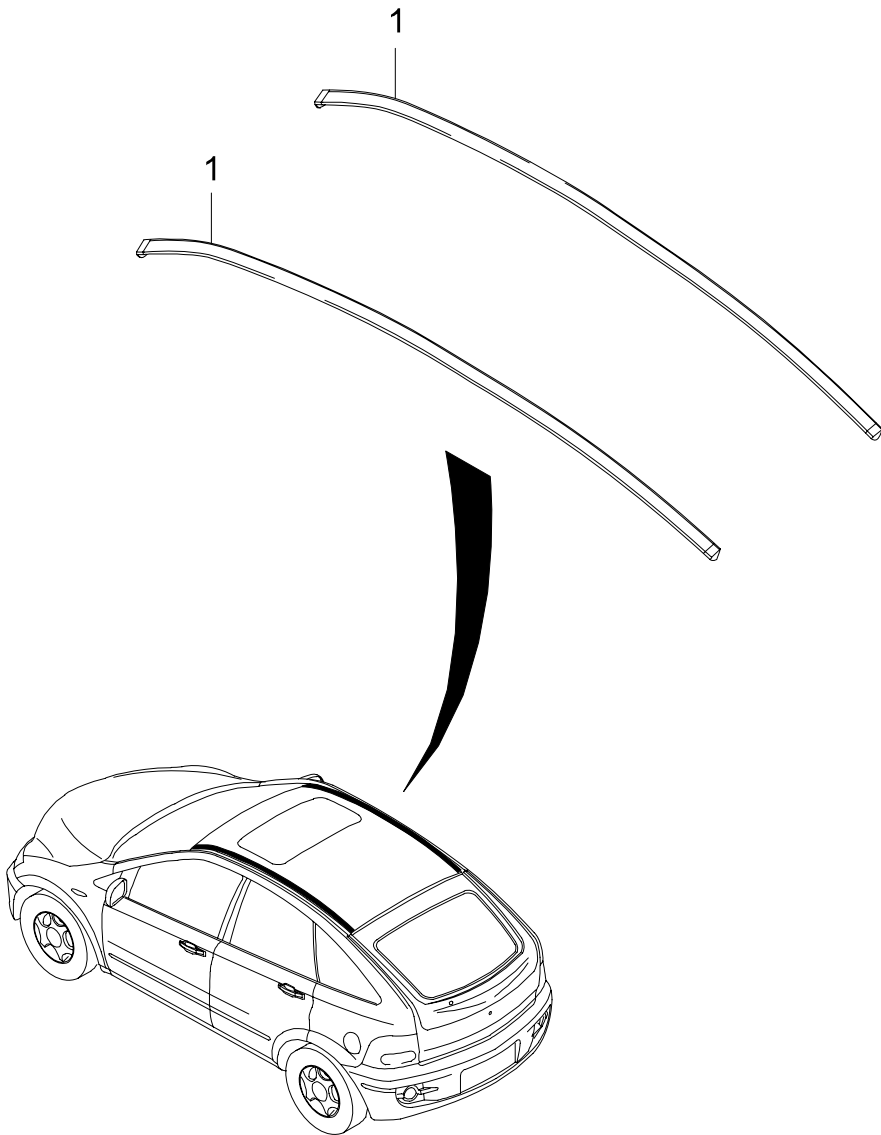


7910 - 01

7930 SIDE BODY MOLDING

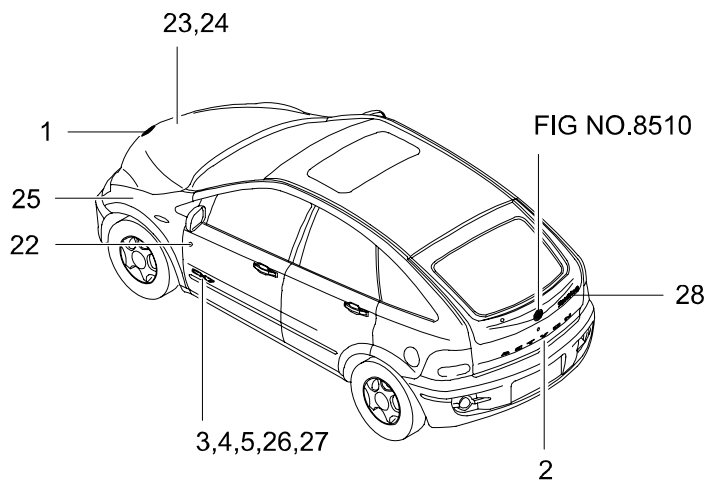





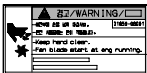

7940 ROOF & REAR BODY MOLDING



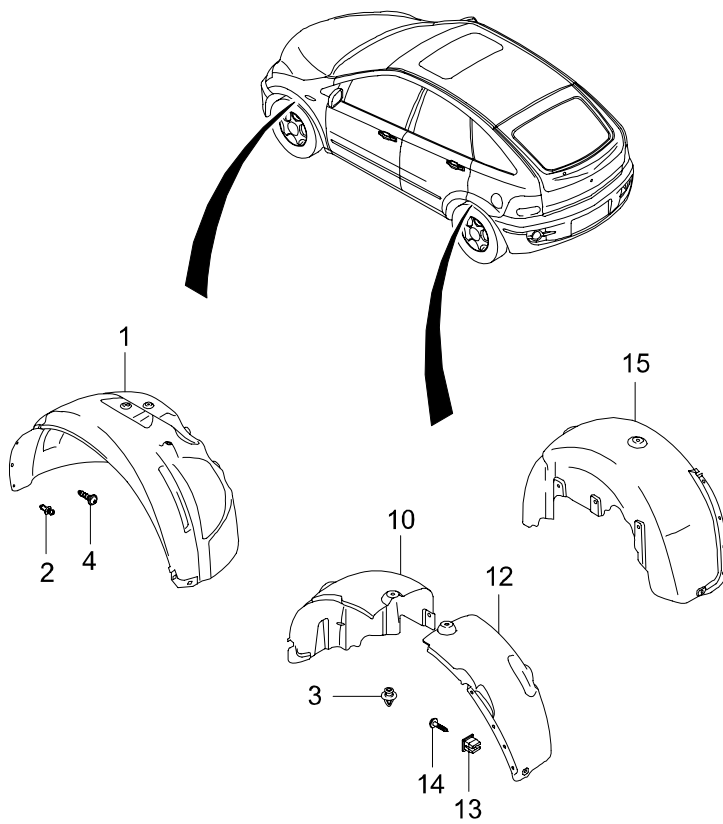
7940 - 01

7950 EMBLEM & LETTERING



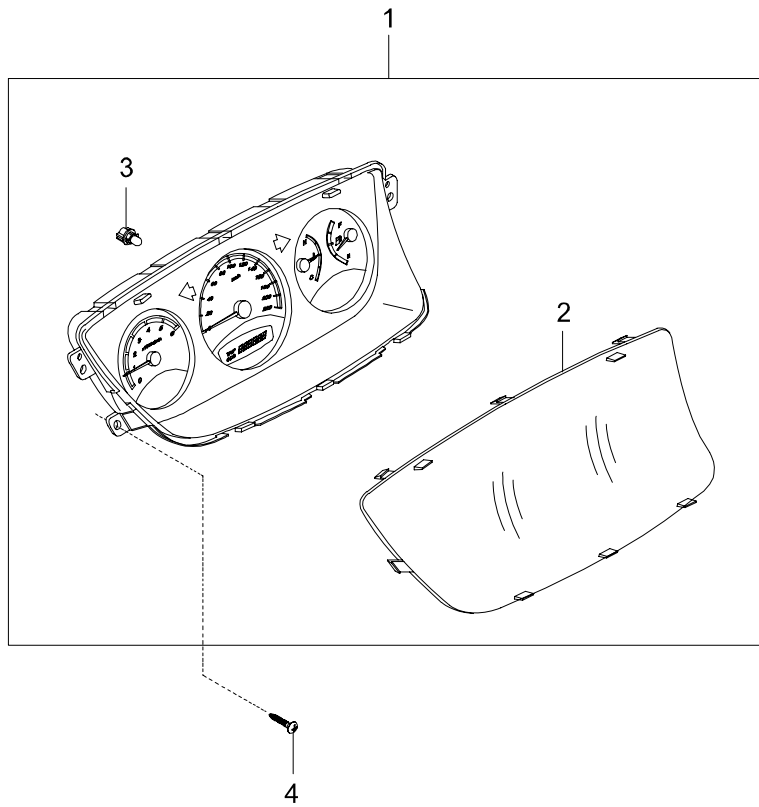
<p>1</p> 	<p>2</p> <p>A C T Y O N</p>		
<p>26</p> <p>A200XDI</p>	<p>3</p> <p>HYPER</p>	<p>4</p> <p>CX7</p>	<p>5</p> <p>CX5</p>
<p>27</p> <p>A230</p>	<p>22</p> 	<p>23</p> 	
<p>24</p> 	<p>25</p> 	<p>28</p> <p>SSANGYONG</p>	

7970 WHEEL HOUSE COVER



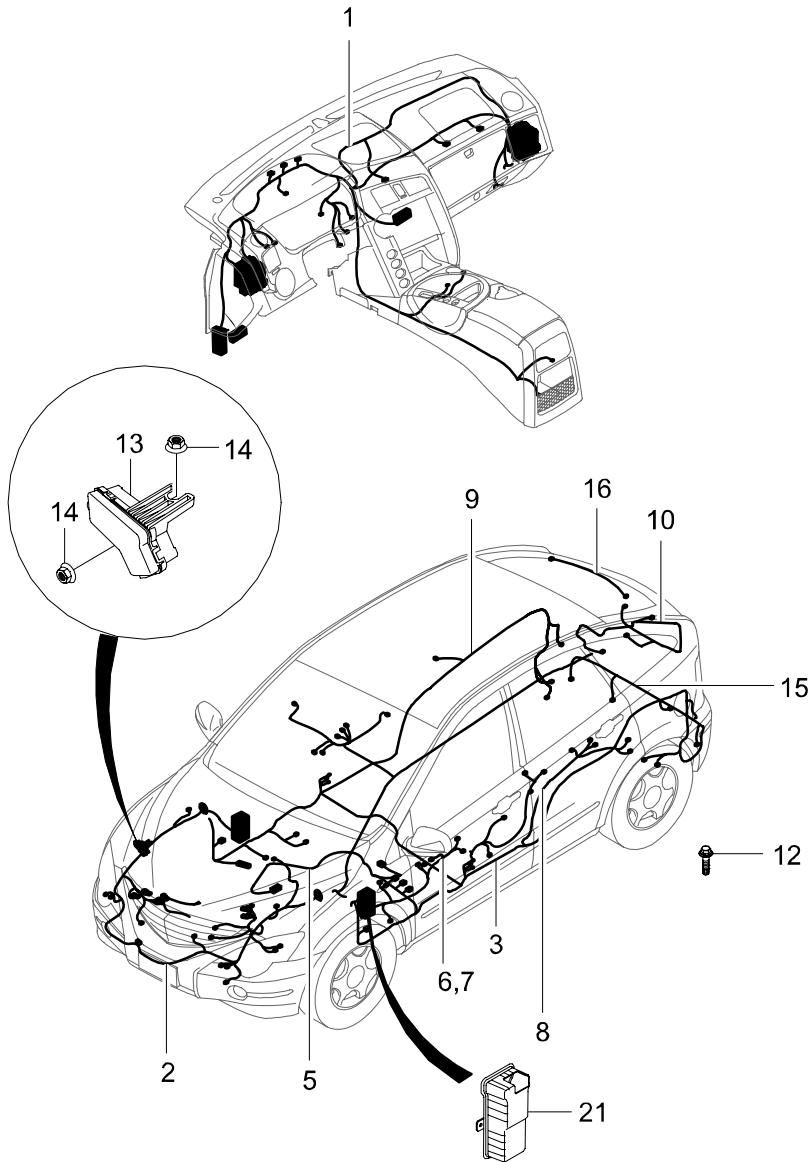
7970 - 01

8010 INSTRUMENT CLUSTER



8010 - 01

8210 WIRING



8210 WIRING

I T C	KEY NO. PART NO	PART NAME OPTION	L / R	T / M	D R V	MODEL										EFF. DATE		REMARK				
						D2	E2	OD	3												FROM	TO
8210381371	DSL,EU-III,ESP,MT,+S/WRM,+PTC,+A/BAG,-P/T	M L 1																06'0715	06M/Y			
8210331381	DSL,EU-III,ESP,MT,+S/WRM,+PTC,+DAB,+P/T	M L 1																06'0715	06M/Y			
8210331391	DSL,EU-III,ESP,MT,+S/WRM,+PTC,+CAB	M L 1																06'0715	06M/Y			
8210331401	DSL,EU-III,ESP,MT,+S/WRM,+FFH,+A/BAG,-P/T	M L 1																06'0715	06M/Y			
8210331411	DSL,EU-III,ESP,MT,+S/WRM,+FFH,+DAB,+P/T	M L 1																06'0715	06M/Y			
8210331421	DSL,EU-III,ESP,MT,+S/WRM,+FFH,+CAB	M L 1																06'0715	06M/Y			
8210331431	DSL,EU-III,ESP,AT,+S/WRM,+PTC,+A/BAG,-P/T	A L 1																06'0715	06M/Y			
8210331441	DSL,EU-III,ESP,AT,+S/WRM,+PTC,+DAB,+P/T	A L 1																06'0715	06M/Y			
8210331451	DSL,EU-III,ESP,AT,+S/WRM,+PTC,+CAB	A L 1																06'0715	06M/Y			
8210331461	DSL,EU-III,ESP,AT,+S/WRM,+FFH,+A/BAG,-P/T	A L 1																06'0715	06M/Y			
8210331471	DSL,EU-III,ESP,AT,+S/WRM,+FFH,+DAB,+P/T	A L 1																06'0715	06M/Y			
8210331481	DSL,EU-III,ESP,AT,+S/WRM,+FFH,+CAB	A L 1																06'0715	06M/Y			
8212031010	DSL,EURO-IV,ABS,MT,+PTC,-DRL,+DAB,+P/T	M L 1																06'0715	06'0903	06M/Y		
○ 8212031011	DSL,EU-IV,ABS,MT,+S/WRM,+PTC,-DRL,+DAB,+P/T	M L 1																06'0904		ADDED CIRCUIT OF FRT S/WRM		
8212031020	DSL,EURO-IV,ABS,MT,+PTC,-DRL,+CAB	M L 1																06'0715	06'0903	06M/Y		
○ 8212031021	DSL,EU-IV,ABS,MT,+S/WRM,+PTC,-DRL,+CAB	M L 1																06'0904		ADDED CIRCUIT OF FRT S/WRM		
8212031030	DSL,EURO-IV,ABS,MT,+PTC,+DRL,+DAB,+P/T	M L 1																06'0715	06'0903	06M/Y		
○ 8212031031	DSL,EU-IV,ABS,MT,+S/WRM,+PTC,+DRL,+DAB,+P/T	M L 1																06'0904		ADDED CIRCUIT OF FRT S/WRM		
8212031040	DSL,EURO-IV,ABS,MT,+PTC,+DRL,+CAB	M L 1																06'0715	06'0903	06M/Y		
○ 8212031041	DSL,EU-IV,ABS,MT,+S/WRM,+PTC,+DRL,+CAB	M L 1																06'0904		ADDED CIRCUIT OF FRT S/WRM		
8212031050	DSL,EURO-IV,ABS,MT,+FFH,-DRL,+DAB,+P/T	M L 1																06'0715	06'0903	06M/Y		
○ 8212031051	DSL,EU-IV,ABS,MT,+S/WRM,+FFH,-DRL,+DAB,+P/T	M L 1																06'0904		ADDED CIRCUIT OF FRT S/WRM		
8212031060	DSL,EURO-IV,ABS,MT,+FFH,-DRL,+CAB	M L 1																06'0715	06'0903	06M/Y		
○ 8212031061	DSL,EU-IV,ABS,MT,+S/WRM,+FFH,-DRL,+CAB	M L 1																06'0904		ADDED CIRCUIT OF FRT S/WRM		
8212031070	DSL,EURO-IV,ABS,MT,+FFH,+DRL,+DAB,+P/T	M L 1																06'0715	06'0903	06M/Y		
○ 8212031071	DSL,EU-IV,ABS,MT,+S/WRM,+FFH,+DRL,+DAB,+P/T	M L 1																06'0904		ADDED CIRCUIT OF FRT S/WRM		
8212031080	DSL,EURO-IV,ABS,MT,+FFH,+DRL,+CAB	M L 1																06'0715	06'0903	06M/Y		
○ 8212031081	DSL,EU-IV,ABS,MT,+S/WRM,+FFH,+DRL,+CAB	M L 1																06'0904		ADDED CIRCUIT OF FRT S/WRM		
8212031090	DSL,EURO-IV,ABS,AT,+PTC,-DRL,+DAB,+P/T	A L 1																06'0715	06'0903	06M/Y		
○ 8212031091	DSL,EU-IV,ABS,AT,+S/WRM,+PTC,-DRL,+DAB,+P/T	A L 1																06'0904		ADDED CIRCUIT OF FRT S/WRM		
8212031100	DSL,EURO-IV,ABS,AT,+PTC,-DRL,+CAB	A L 1																06'0715	06'0903	06M/Y		
○ 8212031101	DSL,EU-IV,ABS,AT,+S/WRM,+PTC,-DRL,+CAB	A L 1																06'0904		ADDED CIRCUIT OF FRT S/WRM		

8210 WIRING

I T C	KEY NO. PART NO	PART NAME OPTION	L / R	T / M	D R V	MODEL										EFF. DATE		REMARK				
						D2	E2	0	3												FROM	TO
	8218031370	RHD,DSL,EU-IV,ESP,AT,-S/WRM,+PTC,-DRL,+DAB,+P/T				A	R	1											06'0715	06M/Y		
	8218031380	RHD,DSL,EU-IV,ESP,AT,-S/WRM,+PTC,-DRL,+CAB				A	R	1											06'0715	06M/Y		
	8218031390	RHD,DSL,EU-IV,ESP,AT,-S/WRM,+PTC,+DRL,+DAB,+P/T				A	R	1											06'0715	06M/Y		
	8218031400	RHD,DSL,EU-IV,ESP,AT,-S/WRM,+PTC,+DRL,+CAB				A	R	1											06'0715	06M/Y		
	8219031010	RHD,E23,ABS,MT,-DRL,+DAB,+P/T				M	R	1										06'0715	06'0903	06M/Y		
O	8219031011	RHD,E23,ABS,MT,+S/WRM,-DRL,+DAB,+P/T				M	R	1										06'0904		ADDED CIRCUIT OF FRT S/WRM		
	8219031020	RHD,E23,ABS,MT,-DRL,+CAB				M	R	1										06'0715	06'0903	06M/Y		
O	8219031021	RHD,E23,ABS,MT,+S/WRM,-DRL,+CAB				M	R	1										06'0904		ADDED CIRCUIT OF FRT S/WRM		
	8219031030	RHD,E23,ABS,MT,+DRL,+DAB,+P/T				M	R	1										06'0715	06'0903	06M/Y		
O	8219031031	RHD,E23,ABS,MT,+S/WRM,+DRL,+DAB,+P/T				M	R	1										06'0904		ADDED CIRCUIT OF FRT S/WRM		
	8219031040	RHD,E23,ABS,MT,+DRL,+CAB				M	R	1										06'0715	06'0903	06M/Y		
O	8219031041	RHD,E23,ABS,MT,+S/WRM,+DRL,+CAB				M	R	1										06'0904		ADDED CIRCUIT OF FRT S/WRM		
	8219031050	RHD,E23,ABS,AT,-DRL,+DAB,+P/T				A	R	1										06'0715	06'0903	06M/Y		
O	8219031051	RHD,E23,ABS,AT,+S/WRM,-DRL,+DAB,+P/T				A	R	1										06'0904		ADDED CIRCUIT OF FRT S/WRM		
	8219031060	RHD,E23,ABS,AT,-DRL,+CAB				A	R	1										06'0715	06'0903	06M/Y		
O	8219031061	RHD,E23,ABS,AT,+S/WRM,-DRL,+CAB				A	R	1										06'0904		ADDED CIRCUIT OF FRT S/WRM		
	8219031070	RHD,E23,ABS,AT,+DRL,+DAB,+P/T				A	R	1										06'0715	06'0903	06M/Y		
O	8219031071	RHD,E23,ABS,AT,+S/WRM,+DRL,+DAB,+P/T				A	R	1										06'0904		ADDED CIRCUIT OF FRT S/WRM		
	8219031080	RHD,E23,ABS,AT,+DRL,+CAB				A	R	1										06'0715	06'0903	06M/Y		
O	8219031081	RHD,E23,ABS,AT,+S/WRM,+DRL,+CAB				A	R	1										06'0904		ADDED CIRCUIT OF FRT S/WRM		
	8219031090	RHD,E23,ESP,MT,-DRL,+DAB,+P/T				M	R	1										06'0715	06'0903	06M/Y		
O	8219031091	RHD,E23,ESP,MT,+S/WRM,-DRL,+DAB,+P/T				M	R	1										06'0904		ADDED CIRCUIT OF FRT S/WRM		
	8219031100	RHD,E23,ESP,MT,-DRL,+CAB				M	R	1										06'0715	06'0903	06M/Y		
O	8219031101	RHD,E23,ESP,MT,+S/WRM,-DRL,+CAB				M	R	1										06'0904		ADDED CIRCUIT OF FRT S/WRM		
	8219031110	RHD,E23,ESP,MT,+DRL,+DAB,+P/T				M	R	1										06'0715	06'0903	06M/Y		
O	8219031111	RHD,E23,ESP,MT,+S/WRM,+DRL,+DAB,+P/T				M	R	1										06'0904		ADDED CIRCUIT OF FRT S/WRM		
	8219031120	RHD,E23,ESP,MT,+DRL,+CAB				M	R	1										06'0715	06'0903	06M/Y		
O	8219031121	RHD,E23,ESP,MT,+S/WRM,+DRL,+CAB				M	R	1										06'0904		ADDED CIRCUIT OF FRT S/WRM		
	8219031130	RHD,E23,ESP,AT,-DRL,+DAB,+P/T				A	R	1										06'0715	06'0903	06M/Y		
O	8219031131	RHD,E23,ESP,AT,+S/WRM,-DRL,+DAB,+P/T				A	R	1										06'0904		ADDED CIRCUIT OF FRT S/WRM		
	8219031140	RHD,E23,ESP,AT,-DRL,+CAB				A	R	1										06'0715	06'0903	06M/Y		
O	8219031141	RHD,E23,ESP,AT,+S/WRM,-DRL,+CAB				A	R	1										06'0904		ADDED CIRCUIT OF FRT S/WRM		
	8219031150	RHD,E23,ESP,AT,+DRL,+DAB,+P/T				A	R	1										06'0715	06'0903	06M/Y		
O	8219031151	RHD,E23,ESP,AT,+S/WRM,+DRL,+DAB,+P/T				A	R	1										06'0904		ADDED CIRCUIT OF FRT S/WRM		
	8219031160	RHD,E23,ESP,AT,+DRL,+CAB				A	R	1										06'0715	06'0903	06M/Y		
O	8219031161	RHD,E23,ESP,AT,+S/WRM,+DRL,+CAB				A	R	1										06'0904		ADDED CIRCUIT OF FRT S/WRM		
	8219031170	RHD,E23,ABS,MT,-S/WRM,-DRL,+DAB,+P/T				M	R	1										06'0715		06M/Y		
	8219031180	RHD,E23,ABS,MT,-S/WRM,-DRL,+CAB				M	R	1										06'0715		06M/Y		

8210 WIRING

I T C	KEY NO. PART NO	PART NAME OPTION	L / R	T / M	D R V	MODEL										EFF. DATE		REMARK			
						D2	E2	OD	3											FROM	TO
8219081190	RHD,E23,ABS,MT,-S/WRM,+DRL,+DAB,+P/T	M R															06'0715	06M/Y			
	8219031200	RHD,E23,ABS,MT,-S/WRM,+DRL,+CAB			M R												06'0715	06M/Y	06M/Y		
	8219031210	RHD,E23,ABS,AT,-S/WRM,-DRL,+DAB,+P/T			A R												06'0715	06M/Y	06M/Y		
	8219031220	RHD,E23,ABS,AT,-S/WRM,-DRL,+CAB			A R												06'0715	06M/Y	06M/Y		
	8219031230	RHD,E23,ABS,AT,-S/WRM,+DRL,+DAB,+P/T			A R												06'0715	06M/Y	06M/Y		
	8219031240	RHD,E23,ABS,AT,-S/WRM,+DRL,+CAB			A R												06'0715	06M/Y	06M/Y		
	8219031250	RHD,E23,ESP,MT,-S/WRM,-DRL,+DAB,+P/T			M R												06'0715	06M/Y	06M/Y		
	8219031260	RHD,E23,ESP,MT,-S/WRM,-DRL,+CAB			M R												06'0715	06M/Y	06M/Y		
	8219031270	RHD,E23,ESP,MT,-S/WRM,+DRL,+DAB,+P/T			M R												06'0715	06M/Y	06M/Y		
	8219031280	RHD,E23,ESP,MT,-S/WRM,+DRL,+CAB			M R												06'0715	06M/Y	06M/Y		
	8219031290	RHD,E23,ESP,AT,-S/WRM,-DRL,+DAB,+P/T			A R												06'0715	06M/Y	06M/Y		
	8219031300	RHD,E23,ESP,AT,-S/WRM,-DRL,+CAB			A R												06'0715	06M/Y	06M/Y		
	8219031310	RHD,E23,ESP,AT,-S/WRM,+DRL,+DAB,+P/T			A R												06'0715	06M/Y	06M/Y		
	8219031320	RHD,E23,ESP,AT,-S/WRM,+DRL,+CAB			A R												06'0715	06M/Y	06M/Y		
	8219031330	RHD,E23,ABS,MT,+S/WRM,-DRL,+A/BAG,-P/T			M R												06'0715	06M/Y	06M/Y		
	8219031340	RHD,E23,ABS,AT,+S/WRM,-DRL,+A/BAG,-P/T			A R												06'0715	06M/Y	06M/Y		
	8219031350	RHD,E23,ESP,MT,+S/WRM,-DRL,+A/BAG,-P/T			M R												06'0715	06M/Y	06M/Y		
	8219031360	RHD,E23,ESP,AT,+S/WRM,-DRL,+A/BAG,-P/T			A R												06'0715	06M/Y	06M/Y		
	8219031370	RHD,E23,ABS,MT,-S/WRM,-DRL,+A/BAG,-P/T			M R												06'0715	06M/Y	06M/Y		
	8219031380	RHD,E23,ABS,AT,-S/WRM,-DRL,+A/BAG,-P/T			A R												06'0715	06M/Y	06M/Y		
	8219031390	RHD,E23,ESP,MT,-S/WRM,-DRL,+A/BAG,-P/T			M R												06'0715	06M/Y	06M/Y		
	8219031400	RHD,E23,ESP,AT,-S/WRM,-DRL,+A/BAG,-P/T			A R												06'0715	06M/Y	06M/Y		
	[02]	WIRING ASSY-ENGINE																			
	8231031010	DSL,EURO-III,2WD,-ABS,+PTC,MNL A/CON															06'0301	06'0702			
Y	8231031011	DSL,EURO-III,2WD,-ABS,+PTC,MNL A/CON															06'0703		CHANGED WIRE COVERING		
	8231031020	DSL,EURO-III,2WD,-ABS,+PTC,FATC															06'0301	06'0702			
Y	8231031021	DSL,EURO-III,2WD,-ABS,+PTC,FATC															06'0703		CHANGED WIRE COVERING		
	8231031030	DSL,EURO-III,2WD,-ABS,+FFH,MNL A/CON			L												06'0301	06'0702			
Y	8231031031	DSL,EURO-III,2WD,-ABS,+FFH,MNL A/CON			L												06'0703		CHANGED WIRE COVERING		
	8231031040	DSL,EURO-III,2WD,-ABS,+FFH,FATC			L												06'0301	06'0702			
Y	8231031041	DSL,EURO-III,2WD,-ABS,+FFH,FATC			L												06'0703		CHANGED WIRE COVERING		
	8231031050	DSL,EURO-III,2WD,+ABS,+PTC,MNL A/CON															06'0301	06'0702			
Y	8231031051	DSL,EURO-III,2WD,+ABS,+PTC,MNL A/CON															06'0703		CHANGED WIRE COVERING		
	8231031060	DSL,EURO-III,2WD,+ABS,+PTC,FATC															06'0301	06'0702			
Y	8231031061	DSL,EURO-III,2WD,+ABS,+PTC,FATC															06'0703		CHANGED WIRE COVERING		
	8231031070	DSL,EURO-III,2WD,+ABS,+FFH,MNL A/CON			L												06'0301	06'0702			

8210 WIRING

I T C	KEY NO. PART NO	PART NAME OPTION	L / R	T / M	D / R / V	MODEL										EFF. DATE		REMARK		
						D2	E2	OD	3										FROM	TO
	[03]	WIRING ASSY-FLOOR																		
	8257031400	RHD,DSL,EU-III,4WD,MT,-ABS,+PAS,-P/T			M R 1												06'0301	06'0714		
	8257031410	RHD,DSL,EU-III,4WD,MT,-ABS,+PAS,+P/T			M R 1												06'0301	06'0714		
	8257031420	RHD,DSL,EU-III,4WD,MT,-ABS,+PAS,+CAB			M R 1												06'0301	06'0714		
	8257031430	RHD,DSL,EU-III,4WD,MT,+ABS,-PAS,-P/T			M R 1												06'0301	06'0714		
	8257031440	RHD,DSL,EU-III,4WD,MT,+ABS,-PAS,+P/T			M R 1												06'0301	06'0714		
	8257031450	RHD,DSL,EU-III,4WD,MT,+ABS,-PAS,+CAB			M R 1												06'0301	06'0714		
	8257031460	RHD,DSL,EU-III,4WD,MT,+ABS,+PAS,-P/T			M R 1												06'0301	06'0714		
	8257031470	RHD,DSL,EU-III,4WD,MT,+ABS,+PAS,+P/T			M R 1												06'0301	06'0714		
	8257031480	RHD,DSL,EU-III,4WD,MT,+ABS,+PAS,+CAB			M R 1												06'0301	06'0714		
	8257031490	RHD,DSL,EU-III,4WD,MT,+ESP,-PAS,-P/T			M R 1												06'0301	06'0714		
	8257031500	RHD,DSL,EU-III,4WD,MT,+ESP,-PAS,+P/T			M R 1												06'0301	06'0714		
	8257031510	RHD,DSL,EU-III,4WD,MT,+ESP,-PAS,+CAB			M R 1												06'0301	06'0714		
	8257031520	RHD,DSL,EU-III,4WD,MT,+ESP,+PAS,-P/T			M R 1												06'0301	06'0714		
	8257031530	RHD,DSL,EU-III,4WD,MT,+ESP,+PAS,+P/T			M R 1												06'0301	06'0714		
	8257031540	RHD,DSL,EU-III,4WD,MT,+ESP,+PAS,+CAB			M R 1												06'0301	06'0714		
	8257031550	RHD,DSL,EU-III,4WD,AT,-ABS,-PAS,-P/T			A R 1												06'0301	06'0714		
	8257031560	RHD,DSL,EU-III,4WD,AT,-ABS,-PAS,+P/T			A R 1												06'0301	06'0714		
	8257031570	RHD,DSL,EU-III,4WD,AT,-ABS,-PAS,+CAB			A R 1												06'0301	06'0714		
	8257031580	RHD,DSL,EU-III,4WD,AT,-ABS,+PAS,-P/T			A R 1												06'0301	06'0714		
	8257031590	RHD,DSL,EU-III,4WD,AT,-ABS,+PAS,+P/T			A R 1												06'0301	06'0714		
	8257031600	RHD,DSL,EU-III,4WD,AT,-ABS,+PAS,+CAB			A R 1												06'0301	06'0714		
	8257031610	RHD,DSL,EU-III,4WD,AT,+ABS,-PAS,-P/T			A R 1												06'0301	06'0714		
	8257031620	RHD,DSL,EU-III,4WD,AT,+ABS,-PAS,+P/T			A R 1												06'0301	06'0714		
	8257031630	RHD,DSL,EU-III,4WD,AT,+ABS,-PAS,+CAB			A R 1												06'0301	06'0714		
	8257031640	RHD,DSL,EU-III,4WD,AT,+ABS,+PAS,-P/T			A R 1												06'0301	06'0714		
	8257031650	RHD,DSL,EU-III,4WD,AT,+ABS,+PAS,+P/T			A R 1												06'0301	06'0714		
	8257031660	RHD,DSL,EU-III,4WD,AT,+ABS,+PAS,+CAB			A R 1												06'0301	06'0714		
	8257031670	RHD,DSL,EU-III,4WD,AT,+ESP,-PAS,-P/T			A R 1												06'0301	06'0714		
	8257031680	RHD,DSL,EU-III,4WD,AT,+ESP,-PAS,+P/T			A R 1												06'0301	06'0714		
	8257031690	RHD,DSL,EU-III,4WD,AT,+ESP,-PAS,+CAB			A R 1												06'0301	06'0714		
	8257031700	RHD,DSL,EU-III,4WD,AT,+ESP,+PAS,-P/T			A R 1												06'0301	06'0714		
	8257031710	RHD,DSL,EU-III,4WD,AT,+ESP,+PAS,+P/T			A R 1												06'0301	06'0714		
	8257031720	RHD,DSL,EU-III,4WD,AT,+ESP,+PAS,+CAB			A R 1												06'0301	06'0714		
	8257031011	DSL,EU-III,2WD,MT,-ABS,-PAS,-P/T			M L 1												06'0715		06M/Y	
	8257031021	DSL,EU-III,2WD,MT,-ABS,-PAS,+P/T			M L 1												06'0715		06M/Y	

8210 WIRING

I T C	KEY NO. PART NO	PART NAME OPTION	L / R	T / M	D R V	MODEL										EFF. DATE		REMARK				
						D2	E2	OD	3											FROM	TO	
8252031510	DSL,EURO-IV,2WD,AT,+ESP,-PAS,-P/T	A L	1															06'0715	06'0729	06M/Y		
Y 8252031511	DSL,EU-IV,2WD,AT,+ESP,-PAS,-P/T			A	L	1													06'0730			
8252031520	DSL,EURO-IV,2WD,AT,+ESP,+PAS,-P/T			A	L	1													06'0715	06'0729	06M/Y	
Y 8252031521	DSL,EU-IV,2WD,AT,+ESP,+PAS,-P/T			A	L	1													06'0730			
8252031530	DSL,EURO-IV,4WD,MT,-ABS,-PAS,-P/T			M	L	1													06'0715	06'0729	06M/Y	
Y 8252031531	DSL,EU-IV,4WD,MT,-ABS,-PAS,-P/T			M	L	1													06'0730			
8252031540	DSL,EURO-IV,4WD,MT,-ABS,-PAS,+P/T			M	L	1													06'0715	06'0729	06M/Y	
Y 8252031541	DSL,EU-IV,4WD,MT,-ABS,-PAS,+P/T			M	L	1													06'0730			DELETED TUBE OF A/BAG EXTN WIRE
8252031550	DSL,EURO-IV,4WD,MT,-ABS,-PAS,+CAB			M	L	1													06'0715	06'0729	06M/Y	
Y 8252031551	DSL,EU-IV,4WD,MT,-ABS,-PAS,+CAB			M	L	1													06'0730			DELETED TUBE OF A/BAG EXTN WIRE
8252031560	DSL,EURO-IV,4WD,MT,-ABS,+PAS,-P/T			M	L	1													06'0715	06'0729	06M/Y	
Y 8252031561	DSL,EU-IV,4WD,MT,-ABS,+PAS,-P/T			M	L	1													06'0730			
8252031570	DSL,EURO-IV,4WD,MT,-ABS,+PAS,+P/T			M	L	1													06'0715	06'0729	06M/Y	
Y 8252031571	DSL,EU-IV,4WD,MT,-ABS,+PAS,+P/T			M	L	1													06'0730			DELETED TUBE OF A/BAG EXTN WIRE
8252031580	DSL,EURO-IV,4WD,MT,-ABS,+PAS,+CAB			M	L	1													06'0715	06'0729	06M/Y	
Y 8252031581	DSL,EU-IV,4WD,MT,-ABS,+PAS,+CAB			M	L	1													06'0730			DELETED TUBE OF A/BAG EXTN WIRE
8252031590	DSL,EURO-IV,4WD,MT,+ABS,-PAS,-P/T			M	L	1													06'0715	06'0729	06M/Y	
Y 8252031591	DSL,EU-IV,4WD,MT,+ABS,-PAS,-P/T			M	L	1													06'0730			
8252031600	DSL,EURO-IV,4WD,MT,+ABS,+PAS,-P/T			M	L	1													06'0715	06'0729	06M/Y	
Y 8252031601	DSL,EU-IV,4WD,MT,+ABS,+PAS,-P/T			M	L	1													06'0730			
8252031610	DSL,EURO-IV,4WD,MT,+ESP,-PAS,-P/T			M	L	1													06'0715	06'0729	06M/Y	
Y 8252031611	DSL,EU-IV,4WD,MT,+ESP,-PAS,-P/T			M	L	1													06'0730			
8252031620	DSL,EURO-IV,4WD,MT,+ESP,+PAS,-P/T			M	L	1													06'0715	06'0729	06M/Y	
Y 8252031621	DSL,EU-IV,4WD,MT,+ESP,+PAS,-P/T			M	L	1													06'0730			
8252031630	DSL,EURO-IV,4WD,AT,-ABS,-PAS,-P/T			A	L	1													06'0715	06'0729	06M/Y	
Y 8252031631	DSL,EU-IV,4WD,AT,-ABS,-PAS,-P/T			A	L	1													06'0730			
8252031640	DSL,EURO-IV,4WD,AT,-ABS,-PAS,+P/T			A	L	1													06'0715	06'0729	06M/Y	
Y 8252031641	DSL,EU-IV,4WD,AT,-ABS,-PAS,+P/T			A	L	1													06'0730			DELETED TUBE OF A/BAG EXTN WIRE
8252031650	DSL,EURO-IV,4WD,AT,-ABS,-PAS,+CAB			A	L	1													06'0715	06'0729	06M/Y	
Y 8252031651	DSL,EU-IV,4WD,AT,-ABS,-PAS,+CAB			A	L	1													06'0730			DELETED TUBE OF A/BAG EXTN WIRE

8210 WIRING

I T C	KEY NO. PART NO	PART NAME OPTION	L / R	T / M	D R V	MODEL										EFF. DATE		REMARK		
						D2	E2	OD	3										FROM	TO
8254031461	RHD,EU-III,4WD,MT,+ABS,+PAS,-P/T	M R 1																06'0715	06M/Y	
8254031471	RHD,EU-III,4WD,MT,+ABS,+PAS,+P/T	M R 1																06'0715	06M/Y	
8254031481	RHD,EU-III,4WD,MT,+ABS,+PAS,+CAB	M R 1																06'0715	06M/Y	
8254031491	RHD,EU-III,4WD,MT,+ESP,-PAS,-P/T	M R 1																06'0715	06M/Y	
8254031501	RHD,EU-III,4WD,MT,+ESP,-PAS,+P/T	M R 1																06'0715	06M/Y	
8254031511	RHD,EU-III,4WD,MT,+ESP,-PAS,+CAB	M R 1																06'0715	06M/Y	
8254031521	RHD,EU-III,4WD,MT,+ESP,+PAS,-P/T	M R 1																06'0715	06M/Y	
8254031531	RHD,EU-III,4WD,MT,+ESP,+PAS,+P/T	M R 1																06'0715	06M/Y	
8254031541	RHD,EU-III,4WD,MT,+ESP,+PAS,+CAB	M R 1																06'0715	06M/Y	
8254031551	RHD,EU-III,4WD,AT,-ABS,-PAS,-P/T	A R 1																06'0715	06M/Y	
8254031561	RHD,EU-III,4WD,AT,-ABS,-PAS,+P/T	A R 1																06'0715	06M/Y	
8254031571	RHD,EU-III,4WD,AT,-ABS,-PAS,+CAB	A R 1																06'0715	06M/Y	
8254031581	RHD,EU-III,4WD,AT,-ABS,+PAS,-P/T	A R 1																06'0715	06M/Y	
8254031591	RHD,EU-III,4WD,AT,-ABS,+PAS,+P/T	A R 1																06'0715	06M/Y	
8254031601	RHD,EU-III,4WD,AT,-ABS,+PAS,+CAB	A R 1																06'0715	06M/Y	
8254031611	RHD,EU-III,4WD,AT,+ABS,-PAS,-P/T	A R 1																06'0715	06M/Y	
8254031621	RHD,EU-III,4WD,AT,+ABS,-PAS,+P/T	A R 1																06'0715	06M/Y	
8254031631	RHD,EU-III,4WD,AT,+ABS,-PAS,+CAB	A R 1																06'0715	06M/Y	
8254031641	RHD,EU-III,4WD,AT,+ABS,+PAS,-P/T	A R 1																06'0715	06M/Y	
8254031651	RHD,EU-III,4WD,AT,+ABS,+PAS,+P/T	A R 1																06'0715	06M/Y	
8254031661	RHD,EU-III,4WD,AT,+ABS,+PAS,+CAB	A R 1																06'0715	06M/Y	
8254031671	RHD,EU-III,4WD,AT,+ESP,-PAS,-P/T	A R 1																06'0715	06M/Y	
8254031681	RHD,EU-III,4WD,AT,+ESP,-PAS,+P/T	A R 1																06'0715	06M/Y	
8254031691	RHD,EU-III,4WD,AT,+ESP,-PAS,+CAB	A R 1																06'0715	06M/Y	
8254031701	RHD,EU-III,4WD,AT,+ESP,+PAS,-P/T	A R 1																06'0715	06M/Y	
8254031711	RHD,EU-III,4WD,AT,+ESP,+PAS,+P/T	A R 1																06'0715	06M/Y	
8254031721	RHD,EU-III,4WD,AT,+ESP,+PAS,+CAB	A R 1																06'0715	06M/Y	

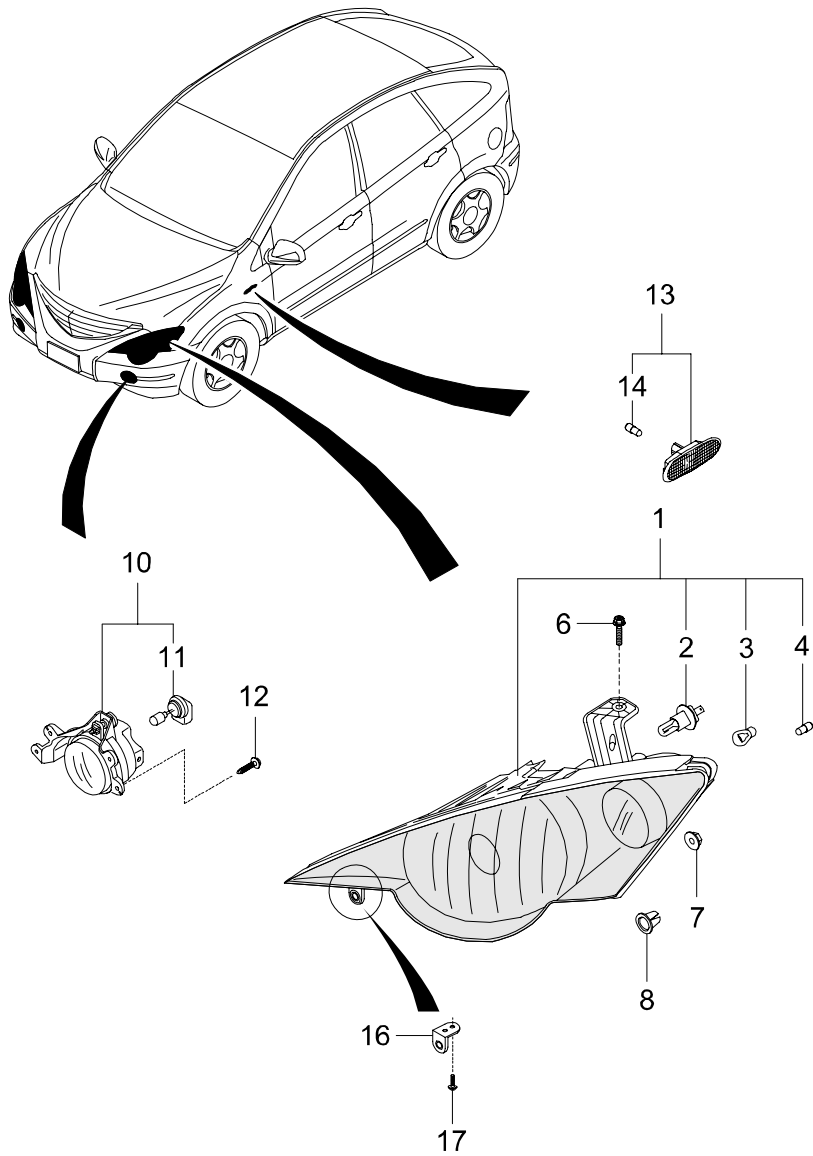
8210 WIRING

I T C	KEY NO. PART NO	PART NAME OPTION	L / R	T / M	D R V	MODEL										EFF. DATE		REMARK			
						D2	E2	OD	3											FROM	TO
8259031400		RHD,E23,2WD,MT,-ABS,+PAS,+CAB	M	R														06'12'15	C111(G23, 2WD ADDED)		
	8259031410	RHD,E23,2WD,MT,+ABS,-PAS,+P/T			M	R												06'12'15	C111(G23, 2WD ADDED)		
	8259031420	RHD,E23,2WD,MT,+ABS,-PAS,+CAB			M	R												06'12'15	C111(G23, 2WD ADDED)		
	8259031430	RHD,E23,2WD,MT,+ABS,+PAS,+P/T			M	R												06'12'15	C111(G23, 2WD ADDED)		
	8259031440	RHD,E23,2WD,MT,+ABS,+PAS,+CAB			M	R												06'12'15	C111(G23, 2WD ADDED)		
	8259031450	RHD,E23,2WD,MT,+ESP,-PAS,+P/T			M	R												06'12'15	C111(G23, 2WD ADDED)		
	8259031460	RHD,E23,2WD,MT,+ESP,-PAS,+CAB			M	R												06'12'15	C111(G23, 2WD ADDED)		
	8259031470	RHD,E23,2WD,MT,+ESP,+PAS,+P/T			M	R												06'12'15	C111(G23, 2WD ADDED)		
	8259031480	RHD,E23,2WD,MT,+ESP,+PAS,+CAB			M	R												06'12'15	C111(G23, 2WD ADDED)		
	8259031490	RHD,E23,2WD,AT,-ABS,-PAS,+P/T			A	R												06'12'15	C111(G23, 2WD ADDED)		
	8259031500	RHD,E23,2WD,AT,-ABS,-PAS,+CAB			A	R												06'12'15	C111(G23, 2WD ADDED)		
	8259031510	RHD,E23,2WD,AT,-ABS,+PAS,+P/T			A	R												06'12'15	C111(G23, 2WD ADDED)		
	8259031520	RHD,E23,2WD,AT,-ABS,+PAS,+CAB			A	R												06'12'15	C111(G23, 2WD ADDED)		
	8259031530	RHD,E23,2WD,AT,+ABS,-PAS,+P/T			A	R												06'12'15	C111(G23, 2WD ADDED)		
	8259031540	RHD,E23,2WD,AT,+ABS,-PAS,+CAB			A	R												06'12'15	C111(G23, 2WD ADDED)		
	8259031550	RHD,E23,2WD,AT,+ABS,+PAS,+P/T			A	R												06'12'15	C111(G23, 2WD ADDED)		
	8259031560	RHD,E23,2WD,AT,+ABS,+PAS,+CAB			A	R												06'12'15	C111(G23, 2WD ADDED)		
	8259031570	RHD,E23,2WD,AT,+ESP,-PAS,+P/T			A	R												06'12'15	C111(G23, 2WD ADDED)		
	8259031580	RHD,E23,2WD,AT,+ESP,-PAS,+CAB			A	R												06'12'15	C111(G23, 2WD ADDED)		
	8259031590	RHD,E23,2WD,AT,+ESP,+PAS,+P/T			A	R												06'12'15	C111(G23, 2WD ADDED)		
	8259031600	RHD,E23,2WD,AT,+ESP,+PAS,+CAB			A	R												06'12'15	C111(G23, 2WD ADDED)		
	8259031610	RHD,E23,2WD,MT,-ABS,-PAS,-P/T			M	R												06'12'15	C111(G23, 2WD ADDED)		
	8259031620	RHD,E23,2WD,MT,-ABS,+PAS,-P/T			M	R												06'12'15	C111(G23, 2WD ADDED)		
	8259031630	RHD,E23,2WD,MT,+ABS,-PAS,-P/T			M	R												06'12'15	C111(G23, 2WD ADDED)		
	8259031640	RHD,E23,2WD,MT,+ABS,+PAS,-P/T			M	R												06'12'15	C111(G23, 2WD ADDED)		
	8259031650	RHD,E23,2WD,MT,+ESP,-PAS,-P/T			M	R												06'12'15	C111(G23, 2WD ADDED)		
	8259031660	RHD,E23,2WD,MT,+ESP,+PAS,-P/T			M	R												06'12'15	C111(G23, 2WD ADDED)		
	8259031670	RHD,E23,2WD,AT,-ABS,-PAS,-P/T			A	R												06'12'15	C111(G23, 2WD ADDED)		
	8259031680	RHD,E23,2WD,AT,-ABS,+PAS,-P/T			A	R												06'12'15	C111(G23, 2WD ADDED)		
	8259031690	RHD,E23,2WD,AT,+ABS,-PAS,-P/T			A	R												06'12'15	C111(G23, 2WD ADDED)		
	8259031700	RHD,E23,2WD,AT,+ABS,+PAS,-P/T			A	R												06'12'15	C111(G23, 2WD ADDED)		
	8259031710	RHD,E23,2WD,AT,+ESP,-PAS,-P/T			A	R												06'12'15	C111(G23, 2WD ADDED)		
	8259031720	RHD,E23,2WD,AT,+ESP,+PAS,-P/T			A	R												06'12'15	C111(G23, 2WD ADDED)		

8210 WIRING

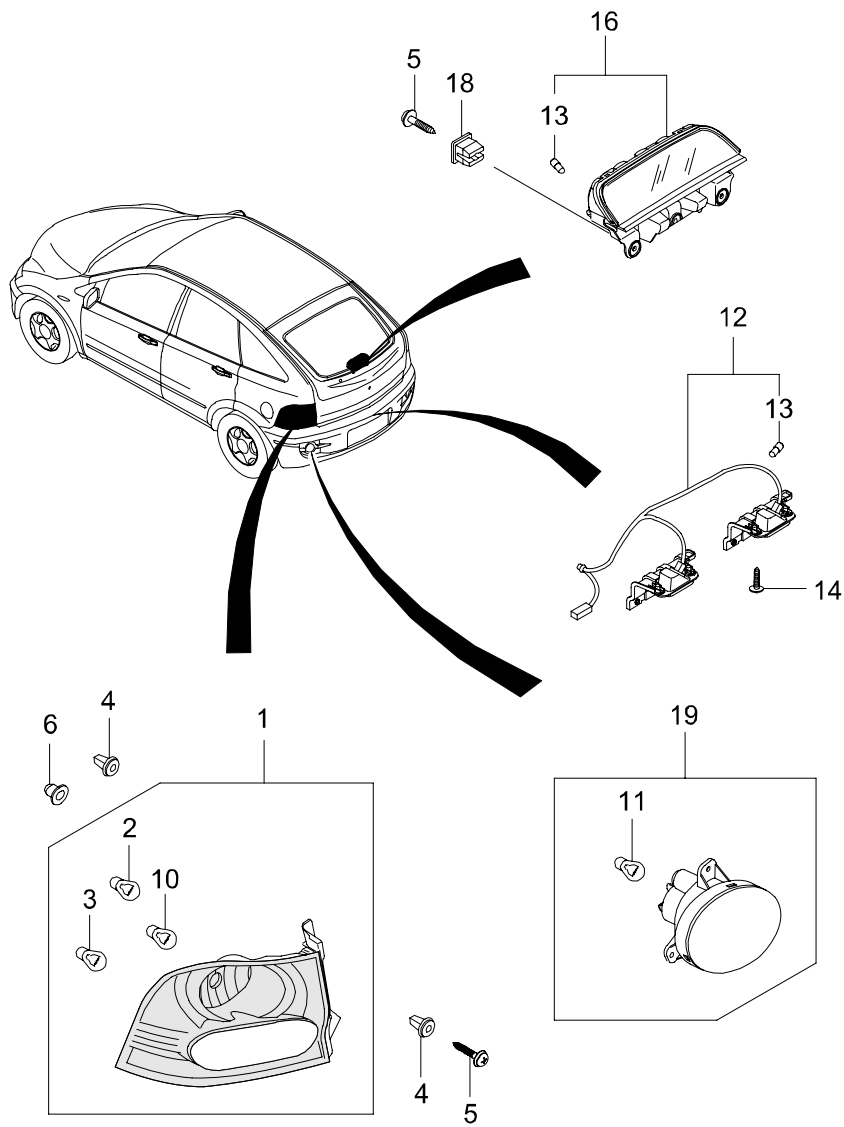
I T C	KEY NO. PART NO	PART NAME OPTION	L / R	T / M	D R V	MODEL										EFF. DATE		REMARK				
						D2	E2	OD	3												FROM	TO
8291081160	LHD,-S/VISOR ILLUM,+R/SNR,+S/ROOF,+ECM		L	1	1														06'030	NOT AVAILABLE,REPLACED BY H/LIN'G ASSY		
	8291031170	RHD,-S/VISOR ILLUM,+R/SNR,-S/ROOF,+ECM				R	1	1											06'0301		NOT AVAILABLE,REPLACED BY H/LIN'G ASSY	
	8291031180	RHD,-S/VISOR ILLUM,+R/SNR,+S/ROOF,+ECM				R	1	1											06'0301		NOT AVAILABLE,REPLACED BY H/LIN'G ASSY	
	8291031190	RHD,-S/VISOR ILLUM,-R/SNR,-S/ROOF,-ECM				R	1	1											06'0301		NOT AVAILABLE,REPLACED BY H/LIN'G ASSY	
	8291031200	RHD,-S/VISOR ILLUM,-R/SNR,+S/ROOF,-ECM				R	1	1											06'0301		NOT AVAILABLE,REPLACED BY H/LIN'G ASSY	
	8294031091	LHD,-S/VISOR ILLUM,+R/SNR,-S/ROOF,+ECM				L	1	1											06'0913		NOT AVAILABLE,REPLACED BY H/LIN'G ASSY	
	8294031101	LHD,-S/VISOR ILLUM,+R/SNR,+S/ROOF,+ECM				L	1	1											06'0913		NOT AVAILABLE,REPLACED BY H/LIN'G ASSY	
	8294031131	RHD,-S/VISOR ILLUM,+R/SNR,-S/ROOF,+ECM				R	1	1											06'0913		NOT AVAILABLE,REPLACED BY H/LIN'G ASSY	
	8294031141	RHD,-S/VISOR ILLUM,+R/SNR,+S/ROOF,+ECM				R	1	1											06'0913		NOT AVAILABLE,REPLACED BY H/LIN'G ASSY	
	[10]	WIRING ASSY-TAIL GATE																				
	8275031010							1	1										06'0301			
	[12]	BOLT-EARTH																				
	9900406000							AR	AR										06'0301			
	[13]	BOX ASSY-JOINT																				
	8237009000							1	1										06'0301	07'0131		
Y	8237009001							1	1										07'0201			
	[14]	NUT																				
	9305406007							2	2										06'0301	07'0131	M6X1.0 ,CONICAL WASHER	
Y	9305406001							2	2										07'0201		M6X1.0 ,CONICAL WASHER	

8310 FRONT LAMP



8310 - 01

8320 REAR LAMP



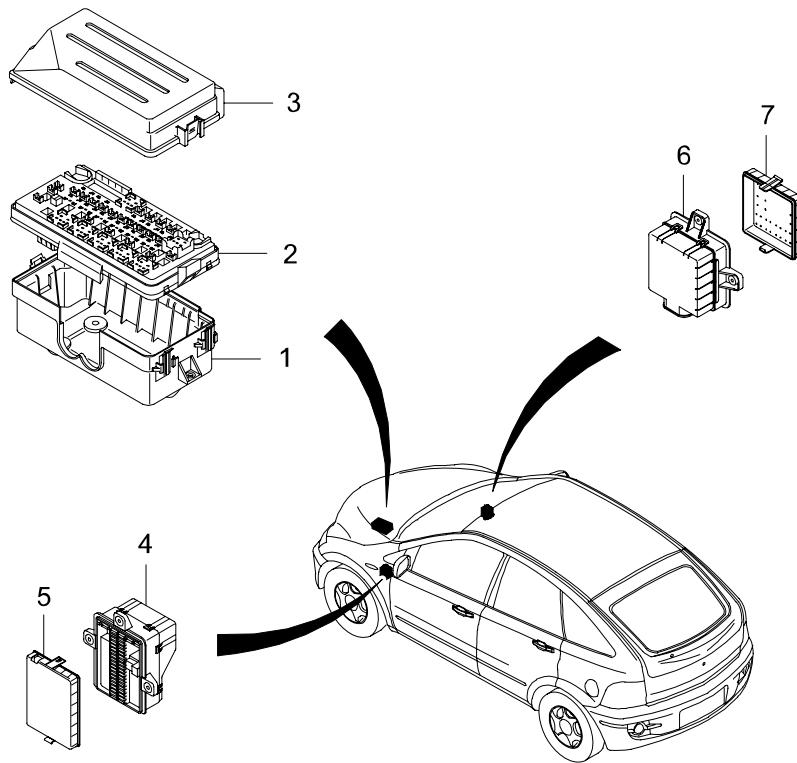
8320 REAR LAMP

I T C	KEY NO. PART NO	PART NAME OPTION	L / R	T / M	D R V	MODEL										EFF. DATE		REMARK
						D2	E2	OD	3									
	[01]	LAMP ASSY-RR COMBINATION																
	8360131011		LH			1										06'0301	06'0327	
Y	8360131012		LH			1										06'0328	06'0429	DELETED SUS RING OF TAIL STOP SOCKET
Y	8360131013		LH			1	1									06'0430	06'0730	DELETED ALUMINUM DEPOSITION OF REFLECTOR PLATE
Y	8360131014		LH			1	1									06'0731	07'0131	DELETED WIRING PVC TUBE
Y	8360131015		LH			1	1									07'0201		
	8360231011		RH			1										06'0301	06'0327	
Y	8360231012		RH			1										06'0328	06'0429	DELETED SUS RING OF TAIL STOP SOCKET
Y	8360231013		RH			1	1									06'0430	06'0730	DELETED ALUMINUM DEPOSITION OF REFLECTOR PLATE
Y	8360231014		RH			1	1									06'0731	07'0131	DELETED WIRING PVC TUBE
Y	8360231015		RH			1	1									07'0201		
	[02]	BULB																
	8363008511	TAIL/STOP				4	4									06'0301		P21/5W(12V 21/5W,CLEAR)
	[03]	BULB																
	8366008511	T/SIGNAL				2	2									06'0301		PY21W(12V 21W,AMBER)
	[04]	GROMMET																
	8251205000					2	2									06'0301		
	[05]	SCREW																
	938045018B					AR	AR									06'0301		M5X1.0X18,TAP TRUSS
	[06]	RETAINER ASSY-RR COMBI MTG																
	8360321000					2	2									06'0301		
	[10]	BULB																
	8381A21000	B/UP				2	2									06'0301		W16W(WEDGE 12V 16W,CLEAR)
	[11]	BULB																
	8365008511	+RR FOG				2	2									06'0301		P21W(12V 21W,CLEAR)
	[12]	LAMP ASSY-LICENSE PLATE																
	8379031000					1										06'0301	06'0501	
N	8379031001					1	1									06'0502	06'0714	CHANGED LENGTH OF WIRING
Y	8379031002					1	1									06'0715	07'0131	
Y	8379031003					1	1									07'0201		

8320 REAR LAMP

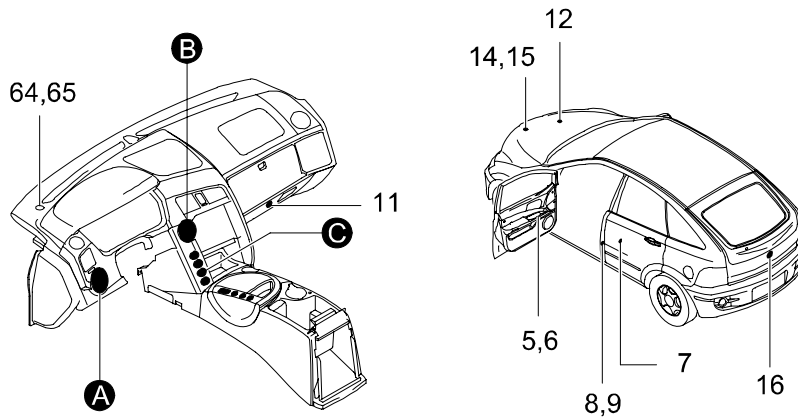
I T C	KEY NO. PART NO	PART NAME OPTION	L / R	T / M	D R V	MODEL										EFF. DATE		REMARK		
						D2	E2									FROM	TO			
						0D	3													
	[13] 8315008101	BULB																06'0301		W5W(WEDGE 12V 5W,CLEAR)
	[14] 984145016B	SCREW																06'0301		M5X0X16,T/SCREW PAN SEMS
	[16] 8380031001	LAMP ASSY-HIGH MOUNTED STOP																06'0301	06'0903	
Y	8380031002																	06'0904	07'0131	MTG BRKT MATERIAL CHANGED
Y	8380031003																	07'0201		
	[18] 7247205000	GROMMET-DR I/S HDL MTG																06'0301		M5
	[19] 8386131000	LAMP ASSY-RR FOG +RR FOG		LH														06'0301	06'0501	WIRING LENGTH=1000MM, FEMAIL CONNECOTR
N	8386131001	+RR FOG		LH														06'0502	06'0714	WIRING LENGTH=650MM, MAIL CONNECTOR
O	8386131002	+RR FOG		LH														06'0715		06M/Y,CHANGED WIRING SQUARE
	8386231000	+RR FOG		RH														06'0301	06'0501	WIRING LENGTH=1000MM, FEMAIL CONNECOTR
N	8386231001	+RR FOG		RH														06'0502	06'0714	WIRING LENGTH=650MM,MAIL CONNECTOR
O	8386231002	+RR FOG		RH														06'0715		06M/Y,CHANGED WIRING SQUARE

8410 FUSE & RELAY



11	12	13	14	15
16	17	18	19	

8510 SWITCH & SENSOR



1 	5 	6 	8 	11
12 	14 	16 	64 	65
21 	C 		2006 M/Y 	
A 	B 			

8510 SWITCH & SENSOR

I T C	KEY NO. PART NO	PART NAME OPTION	L / R	T / M	D / V	MODEL										EFF. DATE		REMARK			
						D2	E2	OD	3											FROM	TO
	[01]	SWITCH ASSY-AUDIO REMOTE CONTROL																			
	8915031150	+AUDIO REMOCON																06'0301	06'0329	L:4 BUTTONS,R:3 BUTTONS,WITH LEAD WIRING	
Y	8915031151	+AUDIO REMOCON																06'0330	07'0131	CHANGED KNOB PAINTING	
Y	8915031152	+AUDIO REMOCON																07'0201	07'0304		
N	8915031160	+AUDIO REMOCON																07'0305		07M/Y,AMBER ILLUM	
	8915031200	-AUDIO REMOCON																06'0301	07'0131	BLANK	
Y	8915031201	-AUDIO REMOCON																07'0201		BLANK	
	[05]	SWITCH ASSY-POWER WINDOW MAIN																			
	8581031000HCH	-ANTI TRAP			L													06'0301	07'0304	ONLY AUTO DOWN	
N	8581009010	-ANTI TRAP			L													07'0305		07M/Y,AMBER ILLUM	
	8581031100HCH	+ANTI TRAP			L													06'0301	07'0304	SAFETY POWER WINDOW,AUTO UP&DOWN	
N	8581009110	+ANTI TRAP			L													07'0305		07M/Y,AMBER ILLUM	
	8582031000HCH	-ANTI TRAP			R													06'0301	07'0304	ONLY AUTO DOWN	
N	8582009010	-ANTI TRAP			R													07'0305		07M/Y,AMBER ILLUM	
	8582031100HCH	+ANTI TRAP			R													06'0301	07'0304	SAFETY POWER WINDOW,AUTO UP&DOWN	
N	8582009110	+ANTI TRAP			R													07'0305		07M/Y,AMBER ILLUM,SAFTY POWER WINDOW	
	[06]	SWITCH ASSY-POWER WINDOW SUB																			
	8583031000HCH																	06'0301	07'0304		
N	8583009010																	07'0305		07M/Y,AMBER ILLUM	
	[07]	SWITCH ASSY-POWER WINDOW RR																			
	8584031000HCH																	06'0301	07'0304		
N	8584009010																	07'0305		07M/Y,AMBER ILLUM	
	[08]	SWITCH ASSY-DR CONTACT																			
	8573008000																	06'0301			
	[09]	SCREW																			
	938045018B																	06'0301		M5X18,T/SCREW TRUSS	
	[11]	SWITCH ASSY-GLOVE BOX																			
	8574005000																	06'0301			
	[12]	SWITCH ASSY-HOOD CONTACT																			
	8570008000																	06'0301			
	[14]	SENSOR ASSY-AQS & AMBIENT																			
	8539011400	FATC																06'0301			

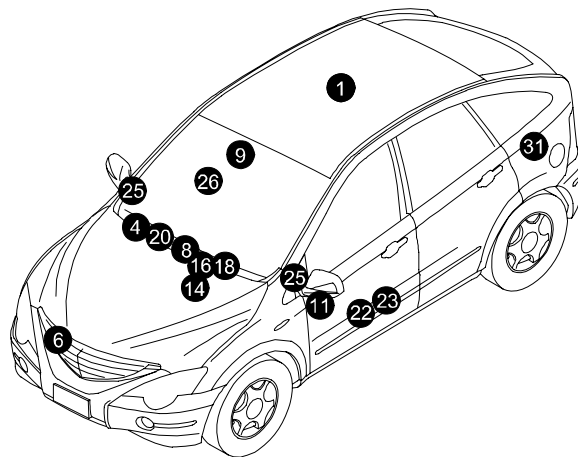
8510 SWITCH & SENSOR

I T C	KEY NO. PART NO	PART NAME OPTION	L / R	T / M	D / V	MODEL										EFF. DATE		REMARK	
						D2	E2	OD	3										
	[21]	LEVER ASSY-MULTI FUNCTION SW																	
	8591009450	-A/LIGHT,+ESP															06'0301	07'0131	W/O CONTACT COIL
Y	8591009451	-A/LIGHT,+ESP															07'0201		W/O CONTACT COIL
	8591009470	+A/LIGHT,+ESP															06'0301	07'0131	W/O CONTACT COIL
Y	8591009471	+A/LIGHT,+ESP															07'0201		W/O CONTACT COIL
	[22]	SENSOR ASSY-STEERING WHEEL ANGLE																	
	8592208060	+ESP															06'0301		
	[23]	SWITCH ASSY-CRUISE CONTROL																	
	8592008002LAM	+A/CRUISE															06'0301		DSL EURO-III & GSL ALL(EURO-III & IV)
	8592031000LAM	EURO-IV															06'0715		ONLY DSL EURO-IV
	[24]	COVER-CRUISE SWITCH																	
	8592008021LAM	+A/CRUISE															06'0301		MTG COVER FOR ACS S/W
	[31]	FRAME-HAZARD SWITCH																	
	8520031050				L												06'0301		
	8520031060				R												06'0301		
	[32]	SWITCH ASSY-HAZARD																	
	8521031000																06'0301		8PIN
	8521031010				L												06'0301		LHD,EAST EUROPE ONLY,9PIN
	[33]	SWITCH ASSY-HILL DECENT CONTROL																	
	8523031000	+ESP															06'0301	07'0304	
N	8523009020	+ESP															07'0305		07M/Y,AMBER ILLUM
	[34]	COVER-BLANK HDC SWITCH																	
	8523031010	-ESP															06'0301		
	[36]	SWITCH ASSY-RR DEFOGGER																	
	8522031000																06'0301	07'0304	HEATED RR GLASS & O/S MIRR
N	8522009010																07'0305		07M/Y,AMBER ILLUM
	[37]	SWITCH ASSY-WINDSHIELD GLASS HEATED																	
	8522031100																06'0301	07'0304	
N	8522009110																07'0305		07M/Y,AMBER ILLUM
	[38]	SWITCH ASSY-TRIP RESET																	
	8525031100																06'0301	07'0304	
N	8525009110																07'0305		07M/Y,AMBER ILLUM

8510 SWITCH & SENSOR

I T C	KEY NO. PART NO	PART NAME OPTION	L / R	T / M	D / R / V	MODEL										EFF. DATE		REMARK			
						D2	E2	OD	3											FROM	TO
	[40] 8520031080	BEZEL-HAZARD SWITCH			R	1	1											06'0301			
	[41] 8530031210 8530031220	BEZEL-CTR FASCIA SWITCH			L	1	1											06'0301			
	[42] 8530031000	SWITCH ASSY-4WD P/TIME			L	1												06'0301	06'0714	4WD MODE: 4H ONLY	
N	8530032000	P/TIME			L	1	1											06'0715	07'0304	06M/Y,4WD MODE: HIGH & LOW	
N	8530009010	P/TIME			L	1	1											07'0305		07M/Y,AMBER ILLUM	
	8530031050	P/TIME			R	1												06'0301	06'0714	4WD MODE: 4H ONLY	
N	8530032050	P/TIME			R	1	1											06'0715	07'0304	06M/Y,4WD MODE: HIGH & LOW	
N	8530009060	P/TIME			R	1	1											07'0305		07M/Y,AMBER ILLUM	
	[44] 8520031200	SWITCH ASSY-SEAT HEATER +S/WRM	LH			1	1											06'0715	07'0304	06M/Y,CHANGED SWITCH TYPE	
N	8520009220	+S/WRM	LH			1	1											07'0305		07M/Y,AMBER ILLUM	
	8520031210	+S/WRM	RH			1	1											06'0715	07'0304	06M/Y,CHANGED SWITCH TYPE	
N	8520009230	+S/WRM	RH			1	1											07'0305		07M/Y,AMBER ILLUM	
	[45] 8520031030	RING-SEAT WARMER +S/WRM				2	2											06'0715		06M/Y	
	[46] 8136031000	SWITCH ASSY-HEAD LAMP LEVELING +L/DEVICE			L	1												06'0301	06'0714		
Y	8136031200	+L/DEVICE			L	1	1											06'0715	07'0304	06M/Y	
N	8136031210	+L/DEVICE			L	1	1											07'0305		AMBER ILLUM	
	8136031100	+L/DEVICE			R	1												06'0301	06'0714		
Y	8136031300	+L/DEVICE			R	1	1											06'0715	07'0304	06M/Y	
N	8136031310	+L/DEVICE			R	1	1											07'0305		AMBER ILLUM	
	[47] 8530031200	COVER-BLANK						AR	AR									06'0301		2WD OR W/O L/DEVICE	
	[48] 8520031000	SWITCH ASSY-SEAT HEATER +S/WRM	LH			1												06'0301	06'0714	2006.07.15--:CHANGED SWITCH TYPE TO [44],[45]	
	8520031010	+S/WRM	RH			1												06'0301	06'0714	2006.07.15--:CHANGED SWITCH TYPE TO [44],[45]	
	[49] 8520031020	COVER-BLANK S/WRM				2	2											06'0301			

8610 ELECTRICAL PARTS

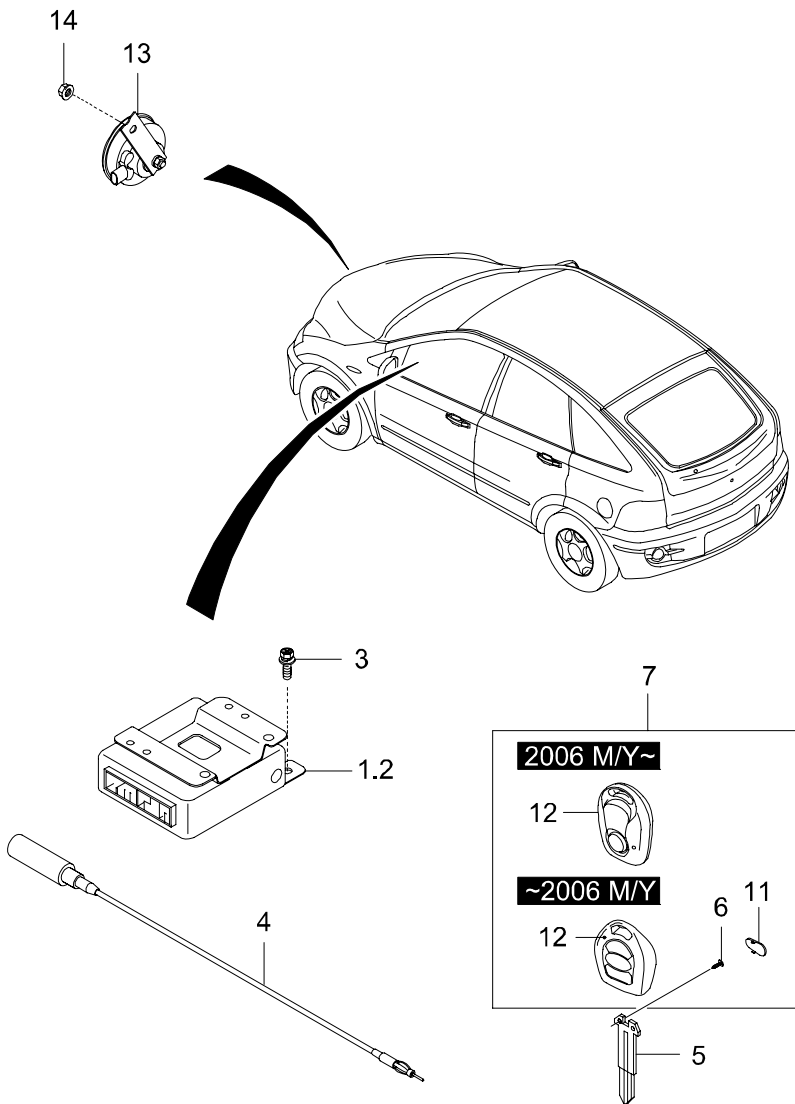


<p>1</p>	<p>4</p>	<p>6</p>	<p>8</p>	<p>9</p> <p>10</p>
<p>11</p>	<p>14</p>	<p>16</p>	<p>18</p>	<p>22</p> <p>24</p>
<p>25</p>	<p>31</p>			

8610 ELECTRICAL PARTS

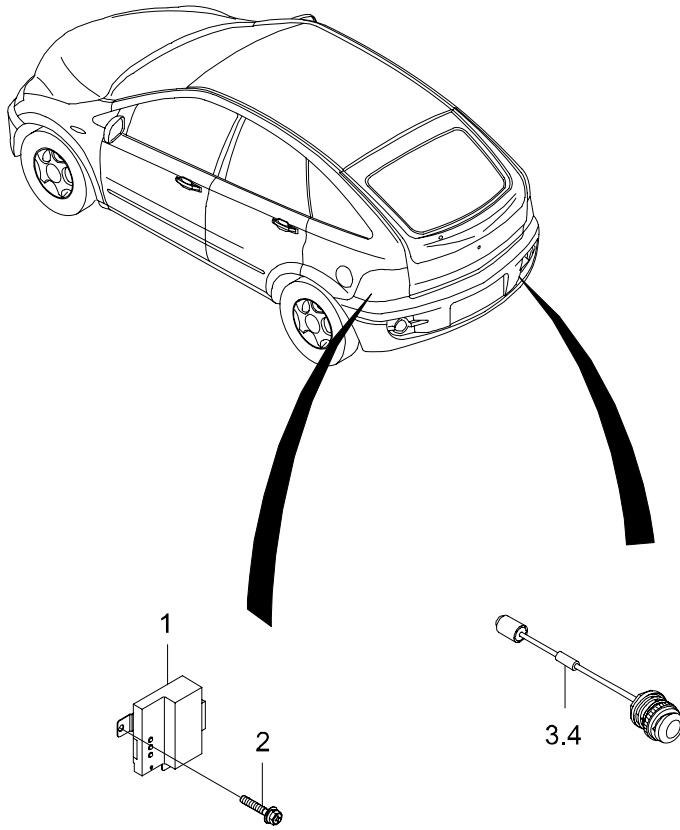
I T C	KEY NO. PART NO	PART NAME OPTION	L / R	T / M	D R V	MODEL										EFF. DATE		REMARK		
						D2	E2	OD	3										FROM	TO
Y	[14] 8661011002	<i>BUZZER ASSY-TRANSDUCER</i>															06'0608	GEN(-EU)		
	8661009000																	06'0301	EU ONLY	
	[15] 984145016B	<i>SCREW</i>																06'0301		
	[16] 8740021000	<i>UNIT ASSY-DRL</i> DRL																06'0301	DRL REGULATION REGION	
	[17] 937045016B	<i>T/SCREW-PAN_M5x0x16</i>																06'0301		
Y	[18] 8662005000	<i>BUZZER ASSY-PIEZO</i>															06'0301	07'0131		
	8662005001																	07'0201		
	[19] 982740612D	<i>SCREW</i>																06'0301		
Y	[21] 9380450162	<i>SCREW</i>																06'0301	07'0131	
	938045016B																	07'0201	M5X16,T/SCREW TRUSS	
Y	[22] 8930009000	<i>SPEAKER ASSY-DR</i>																06'0301	06'0419	
	8930009001																	06'0420	07'0131	
Y	8930009002																07'0201	07'0606		
Y	8930009003																07'0607			
	[24] 9491105000	<i>GROMMET</i>																06'0301	M5,SCREW	
	[25] 8930209040	<i>SPEAKER ASSY-TWEETER</i>																06'0301	35MM, 4 OHM	
	[31] 8373005801LAO	<i>LAMP ASSY-LUGGAGE</i>																06'0301		
	[32] 6618253503	<i>BULB</i>																06'0301	12V 8W,T10X31/LUGGAGE, D VERHEAD CONSOLE	

8710 CAR ALARM & ANTI-THIEF SYSTEM



8710 - 01

8790 PARKING AID SYSTEM

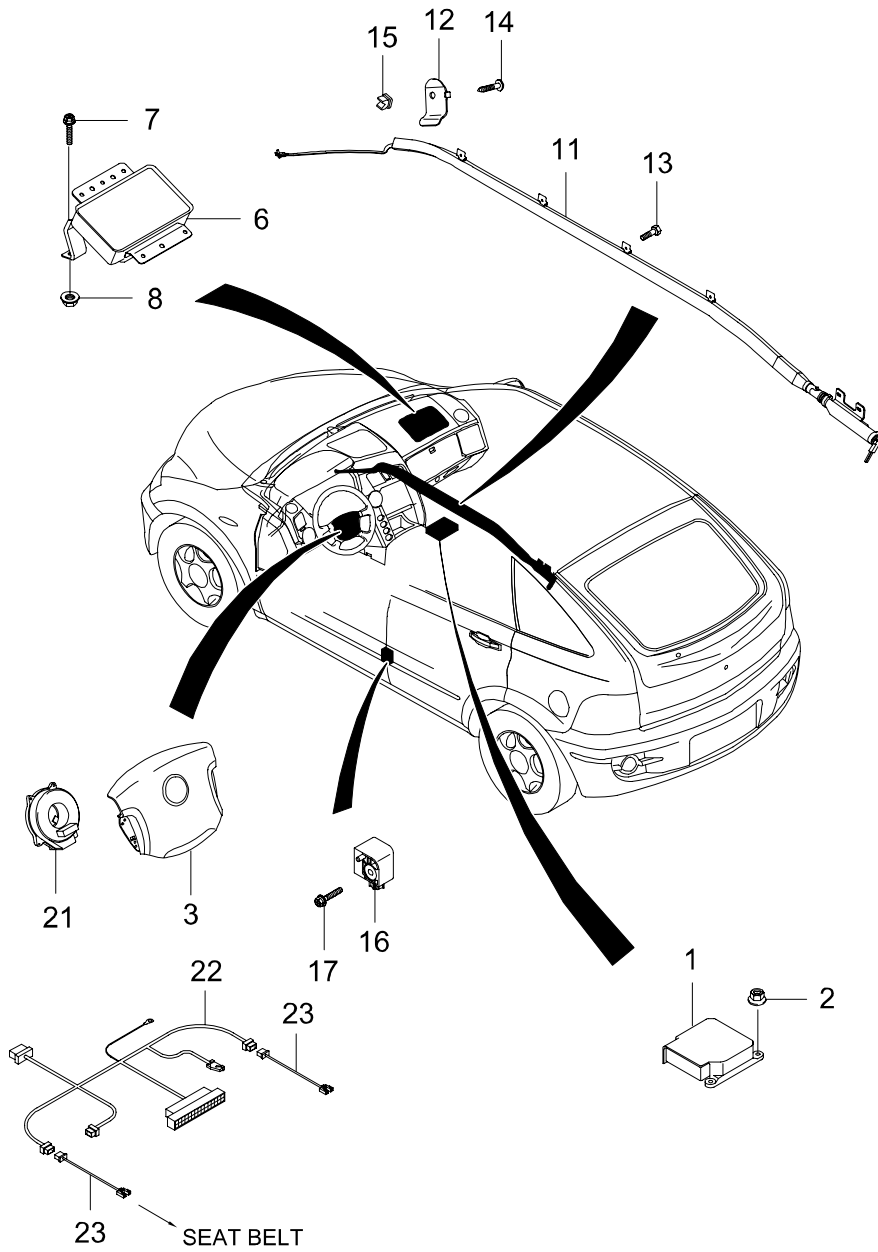


8790 - 01

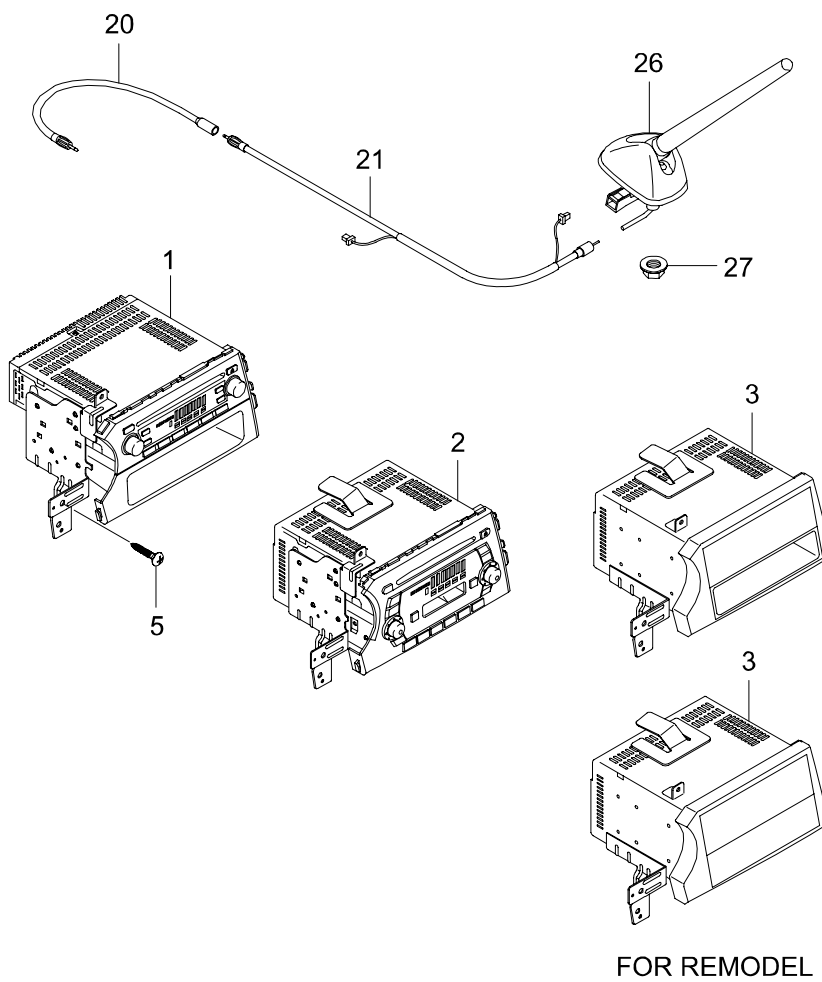
8790 PARKING AID SYSTEM

I T C	KEY NO. PART NO	PART NAME OPTION	L / R	T / M	D / R / V	MODEL										EFF. DATE		REMARK		
						D2	E2	0D	3										FROM	TO
N	[01] 8791031000	<i>PARKING AID UNIT</i>															06'0301	06'1024		
	8791031010																	06'1025		DELETED DIAGNOSTIC LED LIGHTING CIRCUIT
	[02] 982740620D	<i>SCREW</i>															06'0301		M6X1.0X20,HEX SEMS	
O N	[03] 8792031000	<i>SENSOR ASSY-PARKING AID</i> SIDE															06'0301	06'0501	L=425,BEIGE LABEL	
	8792031001		SIDE														06'0502	06'1024	L=590,BEIGE LABEL	
	8792031020		SIDE														06'1025		IMPROVED SENSING AREA,SIMULTANEOUSLY PAS UNIT	
N	[04] 8792031010	<i>SENSOR ASSY-PARKING AID</i> CTR															06'0301	06'0501	L=490,BEIGE LABEL	
	8792031011		CTR														06'0502	06'1024	L=120,BEIGE LABEL	
	8792031030		CTR														06'1025		IMPROVED SENSING AREA,SIMULTANEOUSLY PAS UNIT	

8810 AIR BAG SYSTEM



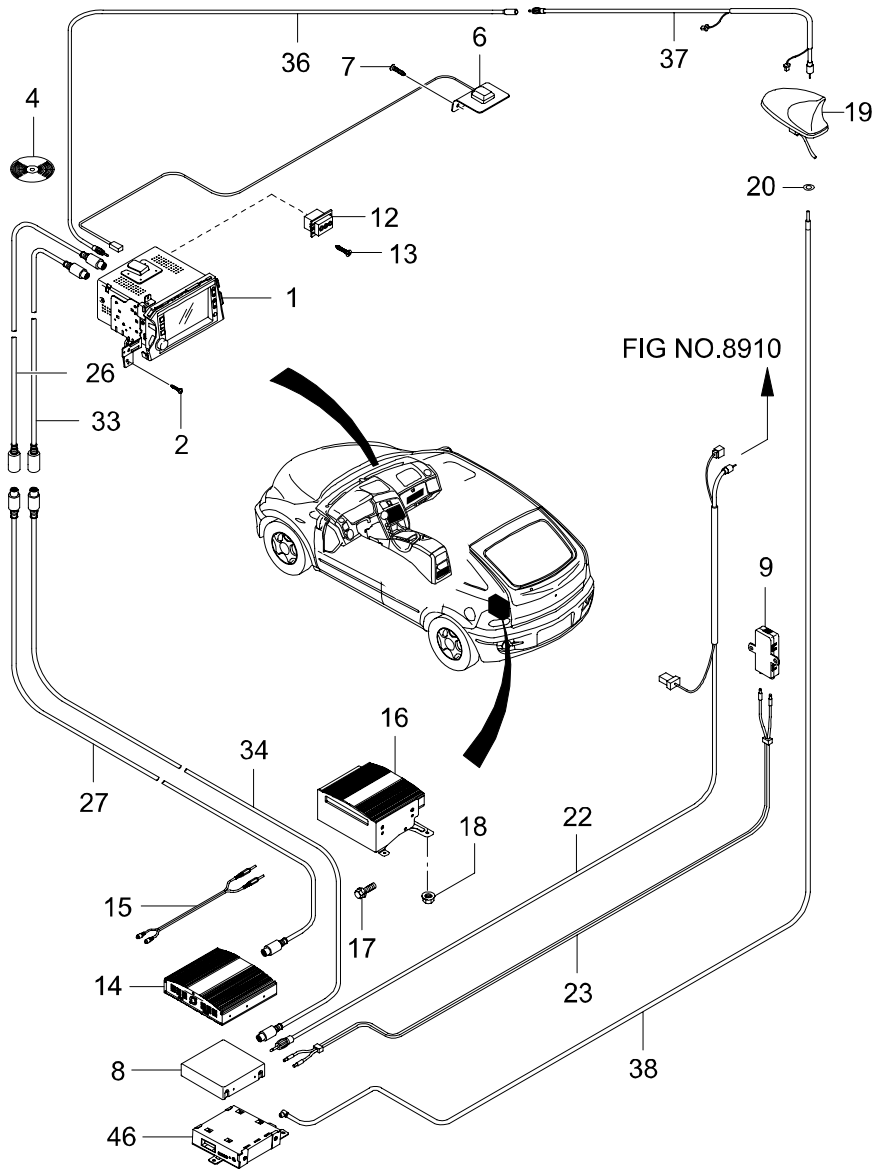
8910 AUDIO SYSTEM



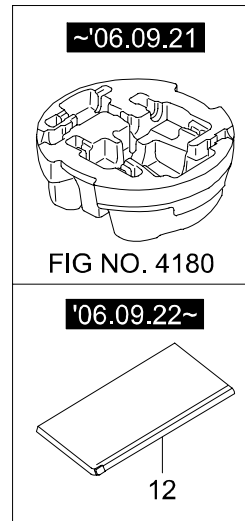
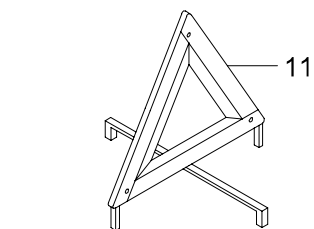
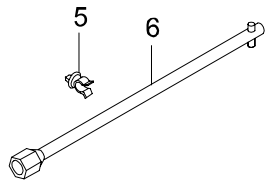
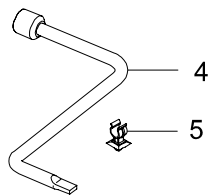
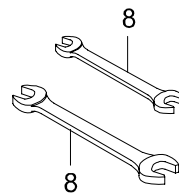
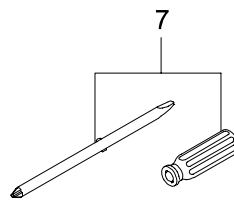
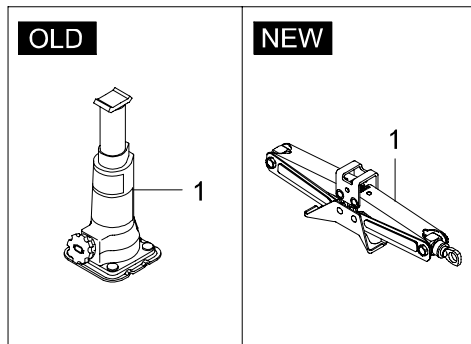
8910 AUDIO SYSTEM

I T C	KEY NO. PART NO	PART NAME OPTION	L / R	T / M	D / V	D O D	E 2 3	MODEL										EFF. DATE		REMARK
																		FROM	TO	
	[21] 8947031001	<i>CABLE-RADIO MICRO POLE FEEDER RR</i>					1	1										06'0301		FROM FRT FEEDER CABLE TO ANT MODULE
	[26] 8940031000	<i>ANTENNA ASSY-RADIO MICRO POLE</i>					1	1										06'0301	06'1130	
Y	8940031001						1	1										06'1201		STOPPER ADDED
	[27] 8940031010	<i>NUT-RADIO MICRO POLE MTG</i>					1	1										06'0301		M14X1.0,FLG NUT

8930 NAVIGATION & AV SYSTEM



9110 O.V.M TOOL



9210 OIL & ANTIFREEZE

